

Serial #

Shipping date

Operation Instructions for washers LOGI CONTROL

GIRBAU, S.A.

Crta de Manlleu, km. 1
08500 VIC (Barcelona) • SPAIN
Tel. 34 93 8861100
Fax 34 93 8860785
girbau@girbau.es
www.girbau.com

For USA & CANADA:

CONTINENTAL GIRBAU Inc.

2500 State Road 44
WI 54904 Oshkosh • USA
Tel. 1(920) 231-8222
Fax 1(920) 231-4666
info@cont-girbau.com
www.cont-girbau.com

**LOGI
control**


Model	From serial #
High Speed	
HS-6008	2.080.884
HS-6013	2.110.200
HS-6017	2.120.320
EH020	1.430.001
EH030	1.460.021
EH040	1.470.060
Medium Speed	
MS-610	2.020.001
MS-613	2.030.001
MS-617	2.040.001
MS-623	2.050.001
EM025	1.370.001
EM030	1.380.001
EM040	1.390.001
EM055	1.400.001



IMPORTANT SAFETY INSTRUCTIONS

WARNING: To reduce the risk of fire, electric shock or injury to persons when using the washer, follow basic precautions, including the following:

1. **READ** all instructions before using the washer and **KEEP** them in a prominent location for customer use.
2. Do not wash articles that have been previously cleaned in, washed in, soaked in, or spotted with gasoline, dry cleaning solvents, other flammable, or explosive substances as they **GIVE OFF VAPORS** that could ignite or explode.
3. **DO NOT ADD** gasoline, dry-cleaning solvents, or other flammable, or explosive substances to the wash water. These substances give off vapors that could ignite or explode.
4. Under certain conditions, hydrogen gas may be produced in a hot water system that has not been used for two weeks or more. **HYDROGEN GAS IS EXPLOSIVE.** If the hot water system has not been used for such a period, before using the washing machine, turn on all hot water faucets and let the water flow from each for several minutes. This will release any accumulated hydrogen gas. As the gas is flammable, do not smoke or use an open flame during this time.
5. Do not allow children to play on or in the washer. **CLOSE SUPERVISION** of children is necessary when the washer is used near children.
6. Before the washer is removed from service or discarded, **REMOVE** the door.
7. **DO NOT TRY TO OPEN THE WASHER'S DOOR** if the drum is moving.
8. Do not install or store the washer where it will be exposed to the **WEATHER.**
9. **DO NOT TAMPER** with controls.
10. **DO NOT REPAIR OR REPLACE** any part of the washer or attempt any servicing, unless specifically recommended in the user instructions or in published user-repair instructions that you understand and have the skills to carry out.
11. **DO NOT BY-PASS** any safety device. It is **NOT ACCEPTED ANY** electric or mechanic **MODIFICATION OR MANIPULATION. DO NOT INSTALL** foreign components inside the machine.
12. All **SAFETY INSTRUCTIONS** included in the Instruction Handbooks, should be reprinted and posted in the laundry room.
13. Failure to install and operate this machine according to the Instruction Handbooks or to work safety and hygiene standards and common sense, may result in conditions which **CAN PRODUCE** bodily injury or loss of life.
14. The **DANGER, WARNING, CAUTION** and **IMPORTANT** instructions appearing in the Instruction Handbooks are not meant to cover all possible conditions and situations that may occur. It must be understood that common sense, caution and carefulness are factors which cannot be built into this machine. These factors **MUST BE** supplied by the person(s) transporting, installing, maintaining, or operating the machine.
15. All connections for electrical power and plumbing **MUST** comply with the statutory safety standards applicable to each country, and be made by Licensed Installers only (*refer to note 3*).

16.  **WARNING!**
MACHINE INSPECTION, FILTER CLEANING, MAINTENANCE, SERVICE OR PARTS REPLACEMENT.
Before attempting any service or inspection of the washing machine:
Close and mechanically interlock the water supply valves and check that machine has **COMPLETELY** drained, parts have cooled down and that no pieces are in movement through inertia.
To reduce the risk of electrical shock:
- **COMPLETELY** disconnect the machine from the original power source and check for accidental reconnection. **MOVING THE ON SWITCH TO THE OFF POSITION IS NOT SUFFICIENT.**
 - Disconnect the electrical power of the external dosing to the washing machine. These circuits are independent of the washer's supply.
 - Wait a minimum of (5) five minutes after disconnection to ensure the elimination of residual voltage within the machine.
- Failure to comply with this warning may result in serious injury.**

17. **NEVER** operate the machine without the panels and guards correctly in place and secured.
18. The room **SHALL** comply with the environment conditions (air venting, temperature, humidity...) specified in the Installation Instruction Handbook. **NEVER INSTALL THE WASHING MACHINE** in very humid environments or with water splashes.
19. **DO NOT OPERATE** the machine if it is suspected to be faulty, either visually, by noise or smell, or with missing or broken parts.
20. Machine start-up **SHALL** be made by Authorised Service Technicians (*refer to note 2*).
21. Machine **SHALL BE USED** by qualified personnel (*refer to note 1*), wholly familiar with the machine's operation.
22. **DO NOT** allow children or people with handicaps incompatible to machine use to operate machine.
23. To minimise the possibility of creating a fire, take **SPECIAL** care, **KEEP** appliance area free from combustible materials and fire extinguishers should be easily **ACCESSIBLE** to all laundry staff.
24. Delimitate danger areas and **PREVENT** public access to them with machine in operation.
25. On completion of the day's work, **TURN OFF** the manual supply valves and **DISCONNECT** the electrical power by the External Automatic Switch.
26. Always **CONTACT** an Authorised Service Technician or Licensed Installer (*refer to notes 2 & 3*) about any problems or conditions you do not understand.
27. For a safe operation, machine **MUST** be kept in a good environment, used and maintained properly, and serviced annually by Authorised Service Technicians (*refer to note 2*).
28. The Distributor (seller) **IS OBLIGED** to thoroughly train the operator during the starting-up.

THE MANUFACTURER REFUSES ANY RESPONSIBILITY IF THESE SAFETY INSTRUCTIONS AND ALL INFORMATION IN THE CORRESPONDING HANDBOOKS ARE NOT FOLLOWED.

SAVE THESE INSTRUCTIONS

NOTES:

- (1) **Qualified Personnel** refers to anyone who has read the Instructions Handbooks, has been trained and has a thorough understanding of the machine's operation
- (2) An **Authorised Service Technician (AST)** is one that has successfully completed training on the product by Girbau S.A., or a Girbau, S.A. Distributor.
- (3) An **Authorised Licensed Installer** is one that is suitably qualified in the procedures and regulations applicable in that country.

HAZARD SYMBOLS USED ON WASHER LABELS:

**Electric risk**

Protection guard for electric components.

**High temperature risk.**

Operate with caution.
Use appropriate protections.

**Mechanical risk**

Protection guard for moving parts

**Risk of harmful vapours inhalation.**

Keep dispenser box closed.
Use appropriate protections.

SYMBOLS USED IN THIS MANUAL



This symbol alerts you to potential hazards for the user, the machine or the fabric.



This symbol is used to give relevance to any precise explanation

IMPORTANT INSTRUCTIONS FOR USE AND CONSERVATION

1. **EXPECTED MACHINE USE AND DON'TS.** This machine has been made and designed for washing or cleansing in a water bath, linen and textile materials without solvent impregnation or explosives. Unless approved by the manufacturer in writing, it is not considered appropriate **FOR OTHER PROCESSES**.
2. Machine **MATERIALS** in contact with wash products are:
 - Stainless Steel **AISI-304 L**.
 - Polypropylene **PP**.
 - **EPDM** and **NBR**.
 - Borosilicate glass.The chemicals furnisher and the machine owner will be responsible to assure that the products **ARE COMPATIBLE** and will not produce machine oxidation or damage.
Notice that the hypochlorite (bleach), in certain conditions of use, generates chlorine gas.
The chlorine is a corrosive and oxidizing substance that, in elevated concentrations and temperature, deteriorates the stainless steel and elastomers.
There are other highly oxidizing agents, such as the ozone, that can cause the same effect.
3. Periodically **CLEAN** machine, to prevent metallic parts corrosion, to produce higher output and for a longer life. To clean the washing machine, use water and detergent, rinse with a damp cloth, and dry.
4. **NEVER** use harsh products to clean the machine and laundry room. There are products on the market, which are highly corrosive.
5. If machine is left idle for long periods of time, it must be **PROTECTED** from humidity and temperature variations.
6. **FOLLOW** the fabric care instructions supplied by the manufacturer, **GIRBAU S.A., REFUSES ANY RESPONSIBILITY IN CASE OF TEXTILE WEAR AND TEAR.**
7. Failure due to improper machine operation may **VOID WARRANTY**.
8. Replacing any part of the washer can affect the machine's security.
Examples:
 - Just a screw or bolt of insufficient strength could cause dangerous damage.
 - A heater without an internal fuse could provoke a fire.
 - An inadequate clamp can be the cause of water leaks and short circuits... etc.The reason for which **ONLY ORIGINAL GIRBAU SPARE PARTS MUST BE USED**.

The incomppliance of this precaution may result in a washer breakdown, a serious accident, and loss of the warranty.
9. When asking for information on your machine, **MENTION** model and serial number (serial plate is located at the rear side).
10. **THE ELECTRICAL DIAGRAM IS LOCATED IN THE UNDERSIDE OF THE WASHER'S TOP COVER.**

SAFETY INSTRUCTIONS	3
INDEX	7
1. DESCRIPTION	8
1.1 Characteristics	8
1.2 Expected use of the washer	8
2. OPERATION INSTRUCTIONS	9
2.1 Control panel	9
2.2 Loading the washing machine	10
2.3 Using the dispenser	10
2.4 Starting a program	11
2.5 Modifying a program in progress	11
2.6 Wash programs	11
2.6.1 Program application and contents	12
2.6.2 Interpretation of the program tables	17
2.7 Stop modes	18
2.7.1 End of cycle	18
2.7.2 Interrupting a program	18
2.8 Unbalance control	19
2.9 Delay option	19
2.9.1 Delaying a program	19
2.9.2 Programming start time	19
3. ADVANCED USE MODE. MOD mode.	20
3.1 <i>Access to MODIFICATION mode</i>	
3.2 <i>Modification of program contents. Pro menu</i>	
3.2.1 <i>Master program</i>	
3.2.2 <i>Default program contents. General application. HS / MS models</i>	
3.2.3 <i>Default program contents. USA / Canada application. EH020, EM025. SP-0 models</i>	
3.2.4 <i>Default program contents. USA / Canada application. EH020, EM025. SP-1 models</i>	
3.2.5 <i>Default program contents. USA / Canada application. Other models</i>	
3.2.6 <i>Default program contents. UK application</i>	
3.2.7 <i>Phases definition</i>	
3.2.8 <i>Definition of programmable functions and values for each phase</i>	
3.2.9 <i>Modification of a program</i>	
3.3 <i>Information menu. Info menu</i>	
3.4 <i>Modification of operating parameters. Mod menu</i>	
3.4.1 <i>Parameters modification</i>	
3.5 <i>Modification of the access code. NCod menu</i>	
3.6 <i>Clock of the system. Hour Menu</i>	
3.6.1 <i>To set the clock</i>	
4. TROUBLESHOOTING	20
4.1 What to do when	20
4.2 System alarms	21
5. MAINTENANCE	22
5.1 Operations described	22
5.2 Cleaning the washer	22
5.3 Cleaning the door seal	22
5.4 Cleaning the electrovalve filters	22
5.5 Cleaning the dispenser	23
5.6 Cleaning the drain pump	24
5.7 Revising the safety mechanisms	25
5.8 General revision	25
6. SERVICE REMOVAL	26
6.1 Dismantling	26

NOTE

The contents of chapter **3. ADVANCED USE MODE**, can be consulted at the manufacturer's website: www.girbau.com, (USA/CANADA: www.cont-girbau.com), see Advanced Operation Instructions for LOGI CONTROL..

1. DESCRIPTION

WASHER EXTRACTOR DESIGNED TO WASH OR TREAT FABRIC IN A WATER BATH.

1.1. CHARACTERISTICS

Construction characteristics:

- HIGH SPEED MODELS (HS / EH). ^{Free Standing} **MDS** washers, capable of extracting with speeds above 350G (280G in model HS-6008/EH020) without having to be bolted down. The design of its suspension system: multi-directional springs and shock absorbers to cushion up to 95% of the vibrations produced during the spin cycle.
- MEDIUM SPEED MODELS (MS / EM). Hard-mount construction. They have to be bolted down to the floor.
- Stainless steel inner and outer drum. The openings in the **Aquafall** drum blades promote the uniform distribution of bath water and improve the yield of the washer both during the wash and the rinse cycles.
- The drum rotation is produced by an asynchronous motor of alternating current controlled by inverter.
- Hot and cold water connections with a safety mechanism to prevent contaminating by back-flowing into the general potable water system.
- Large capacity drain valve. (Option for pump drainage in models HS-6008/EH020).
- Water inlets and all product dispensers done using a common collector with an anti-siphon mechanism.
- Option for heating the bath using electric heaters or steam injection.

Functional characteristics:

- Operation control of the washer by microprocessor.
- Operation of the washer adaptable to the possibilities of the installation and the needs of the user.
- Washing programs: availability of eight pre-programmed programs. Each program allows for: three phases of soak or pre-wash, wash phase with a maximum temperature of 90°C (194°F) and five rinse phases with a final spin at high speed.
- Great versatility in individually modifying the content of each program. (More information about the Programming Mode in the manual of Advanced Operation Instruction for the LOGI CONTROL on the manufacturer website: www.girbau.com), (USA/CANADA www.cont-girbau.com).
- Temperature control in the wash phase done by **AQUAMIXER** hot and cold water mixer in accordance with the programmed temperature and the activation of the heating system. Precision of +/- 2°C (+/- 3.5°F).
- Level control done with an electronic pressure transmitter.
- **GDRIVE** communication via series between the washer microprocessor and the inverter control of the motor. This communication takes advantage of all the features offered by inverter technology which results in a significant energy savings and an optimal management of the spin cycle. This in turn implies a significant reduction in noise, vibration and wear on the washer components.
- Multiple controls that assure the safe use of the washer.

1.2. EXPECTED USE OF THE WASHER

This machine has been made and designed for industrial washing or cleansing in a water bath, linen and textile materials. Any other use will be considered contraindicated without the written authorization of the manufacturer.

The washer should not be filled with a load which is much smaller or greater load than the nominal load. Laundry should not be washed when loaded in bags. If necessary, load the machine to its nominal value. It is not recommended to spin carpeting, canvas or waterproof fabrics.

2. OPERATION

2.1. Control panel

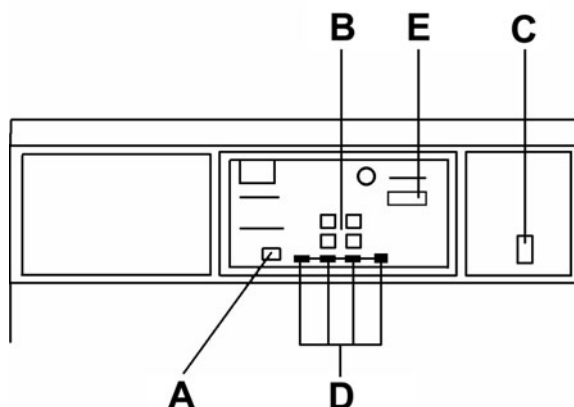


fig. 1

A: **START/STOP** Program start and stop.

▲	Wash program selection
▼	
MOD	ADVANCED USE mode. Begin program delay (option)
ACCEL	Modification of the program in progress

C: **ON/OFF** Switch.

D: LEDs indicating the phase of the program in progress.

E: Display. Shows the function in progress.

Main reports that appear on the display:

REPORT	MEANING
Pr-*	Program selected. Machine ready to wash.
A-*	Water inlet
C-** / F***	Water temperature in Centigrade or Fahrenheit degrees
rt-*	Rotation time left.
Et-*	Extract time left.
End	End of program. Door released
door	Washer with door open

2.2 Loading the washing machine

Group the fabrics to be washed in homogeneous loads, trying to reach the nominal value of the load. Empty all pockets, fasten buttons, close zippers and remove accessories that are not machine-washable. It is not recommend mixing whites with other colours.

Open the door and load the machine. We recommend filling the drum to its nominal load. Do not overload the machine; the door must be able to close easily.

Whilst the door is open, the display reads **door**, indicating that the door must be closed in order for the program to begin.

2.3 Using the dispenser

Fill the compartments with the corresponding products, according to these symbols:

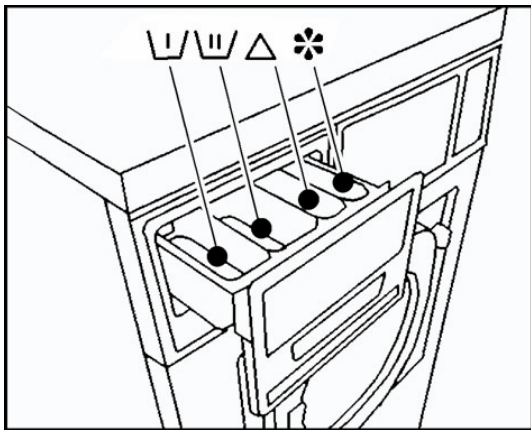


fig. 2

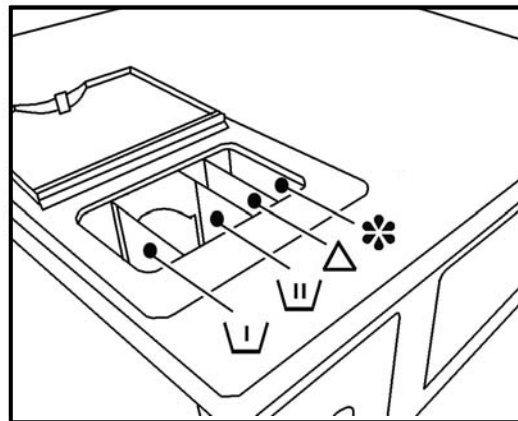






fig. 3

-  - Powdered detergent for pre-wash.
-  - Powdered detergent for wash.
-  - Liquid bleach (chlorine, bleach...)
-  - Liquid softener / neutraliser.



For safety, close dispenser drawer or cover before starting the wash cycle.



SUDS CONTROL.

The mechanical action of front-loading washing machines improves the quality of the wash but encourages creation of suds.

Remember that a suds bath always reduces the efficiency of your wash. **ALWAYS USE CONTROLLED SUDS DETERGENT.**

Models EH020 & EM025 incorporate a group of programmes (SP-I) for a superior rinse efficiency.

Oversudsing causes an increase in the pressure inside the machine and decreases the efficiency of the sealing systems.

Repeated washing with a large amount of suds considerably reduces the life of seals and bearings.

THIS CIRCUMSTANCE IS NOT COVERED BY THE MACHINE'S WARRANTY.

2.4 Starting a program


- Close the door. The **door** report on display changes to **SEL**. (if **SEL** does not appear on the display, repeat the door closing operation).
- Select the desired program with the program selection keys. (For information on the characteristics of each program, refer to section 2.6. Wash Programs). The selected program number will be shown on the display.
- Place the washing products in the dispenser and close it.
- After pressing the **(START/STOP)** key, the temperature value will appear for the washing phase.
- The **▲/▼** keys modify the temperature for the program to be run. This option can be disabled in the **MOD** menu (Advanced Operation Instructions)
- Press the **(START/STOP)** key again to confirm the temperature selected and start the washing program. Once the program has finished, the temperature is reset back to its programmed value.
- Throughout the program's duration, the display will show the various operations run by the washer (refer to section 1.1) and door remains locked until the LED indicating the end of the program comes on.

Door lock. After giving the start order, a 30-second security time is started during which the drum rotation and the water inlet operate at short impulses and door remains released. At the end of this time, the locking mechanism closes and the wash cycle begins.

2.5 Modifying a program in progress

Program acceleration

You can modify the duration of a program whilst it is in progress.

- Press the **(ACCEL)** key to activate the option. The display will flash.
- By pressing the **▲** key repeatedly it is possible to increase the rotation time minute by minute. The duration of the spin cycle cannot be increased.
- By pressing the **▼** key repeatedly it is possible to decrease the rotation or spin times.
-  **Passing to the subsequent phase. The passing from one phase to the next is delayed. Press the ▼ key until the end of the phase and wait a few moments until the first operation of the next phase appears. Continue pressing the ▼ key.**
- After a few seconds without pressing any key, the display will remain fixed and the modification option is deactivated.

Crease-guard stop

Once the washing program has started, you can program to stop the drum rotation before the final extract, with the objective of avoiding creases.

For activating this function once the washing cycle has started, press the key **(MOD)** for some seconds. On the display, the **rh-0** message will appear. Press **▲**. The display message will change to **rh-I**. The crease-guard Stop function has been activated.

Before the last extract, the drum rotation will be interrupted and the **PUSH STAR** message will appear on the display.

For resuming the program, press the **(START/STOP)** key.

2.6 Wash programs

The washer offers the possibility to select among eight different wash programs for different kind of garment and soil. In the default configuration, the program contents is defined as indicated in the following charts:

2.6.1. Program application and contents

General application. HS / MS models

Pr - 1. EXTRA HEAVY SOIL - WHITE ⌚ 66 MIN.									
Ph	L	C	d	r	rt	cd	rh	E	Et
1	2	20	1	1	2	---	---	0	---
2	2	40	0	1	6	---	---	1	---
3	2	60	1	1	6	---	---	3	3
4	1	80	2	1	12	0	---	2	2
5	2	40	3	1	6	---	---	1	---
6	3	---	0	1	2	---	---	3	---
7	3	---	0	1	2	---	---	1	---
8	2	0	4	1	4	---	0	6	7

Pr - 2. HEAVY SOIL - WHITE ⌚ 56 MIN.									
Ph	L	C	d	r	rt	cd	rh	E	Et
1	2	20	0	1	2	---	---	1	---
2	2	30	1	1	6	---	---	3	3
3	1	60	2	1	10	0	---	2	2
4	2	40	3	1	6	---	---	1	---
5	3	---	0	1	2	---	---	3	3
6	3	---	0	1	2	---	---	1	---
7	2	0	4	1	4	---	0	6	7

Pr - 3. MEDIUM SOIL - WHITE ⌚ 51 MIN.									
Ph	L	C	d	r	rt	cd	rh	E	Et
1	2	40	1	1	6	---	---	3	3
2	1	50	2	1	8	0	---	2	2
3	2	30	3	1	6	---	---	1	---
4	3	---	0	1	2	---	---	3	3
5	3	---	0	1	2	---	---	1	---
6	2	0	4	1	4	---	0	6	7

Pr - 4. LIGHT SOIL - WHITE ⌚ 37 MIN.									
Ph	L	C	d	r	rt	cd	rh	E	Et
1	1	40	2	1	6	1	---	0	---
2	2	30	3	1	6	---	---	1	---
3	3	---	0	1	2	---	---	3	3
4	3	---	0	1	2	---	---	1	---
5	2	0	4	1	4	---	0	6	7

Pr - 5. HEAVY SOIL - COLOR ⌚ 51 MIN.									
Ph	L	C	d	r	rt	cd	rh	E	Et
1	2	0	0	1	4	---	---	1	---
2	2	40	1	1	6	---	---	3	3
3	1	50	2	1	10	0	---	2	2
4	3	0	0	1	2	---	---	3	3
5	3	---	0	1	2	---	---	1	---
6	2	0	4	1	4	---	0	6	7

Pr - 6. MEDIUM SOIL - COLOR ⌚ 40 MIN.									
Ph	L	C	d	r	rt	cd	rh	E	Et
1	2	30	1	2	4	---	---	2	2
2	1	40	2	1	8	0	---	2	2
3	3	---	0	2	2	---	---	3	3
4	3	---	0	2	2	---	---	1	---
5	2	0	4	2	4	---	0	6	7

Pr - 7. SYNTHETICS ⌚ 30 MIN.									
Ph	L	C	d	r	rt	cd	rh	E	Et
1	1	40	2	2	6	0	---	2	2
2	3	---	0	2	2	---	---	3	3
3	3	---	0	2	2	---	---	1	---
4	2	0	4	2	4	---	0	6	6

PR - 8. WOOL & DELICATE ⌚ 31 MIN.									
Ph	L	C	d	r	rt	cd	rh	E	Et
1	3	0	1	3	4	---	---	1	---
2	3	30	2	3	8	1	---	1	---
3	3	---	0	3	2	---	---	1	---
4	3	---	0	3	2	---	---	1	---
5	3	0	4	3	4	---	0	2	2

The parameters that appear on the chart can be modified: See the Advanced Operation Instructions **LOGI CONTROL** at the manufacturer's website: www.girbau.com, (USA/CANADA www.cont-girbau.com).

USA/Canada application. EH020, EM025. SP-0 models

PR - 1. EXTRA HEAVY SOIL - WHITE ⌚ 23 MIN.									
Ph	L	F	d	r	rt	cd	rh	E	Et
1	1	104	2	1	7	0	---	1	---
2	1	32	3	2	2	---	---	2	2
3	2	---	0	2	1	---	---	1	---
4	2	32	4	2	2	---	0	5	4

PR - 2. HEAVY SOIL - WHITE ⌚ 17 MIN.									
Ph	L	F	d	r	rt	cd	rh	E	Et
1	1	95	2	1	4	0	---	1	---
2	2	32	3	2	2	---	---	2	2
3	2	32	4	2	2	---	0	5	4

PR - 3. MEDIUM SOIL - WHITE ⌚ 17 MIN.									
Ph	L	F	d	r	rt	cd	rh	E	Et
1	1	86	2	1	4	0	---	1	---
2	2	32	3	2	2	---	---	2	2
3	2	32	4	2	2	---	0	5	4

PR - 4. LIGHT SOIL - WHITE ⌚ 17 MIN.									
Ph	L	F	d	r	rt	cd	rh	E	Et
1	1	68	2	1	4	1	---	1	---
2	2	32	3	2	2	---	---	2	2
3	2	32	4	2	2	---	0	5	4

PR - 5. HEAVY SOIL - COLOR ⌚ 18 MIN.									
Ph	L	F	d	r	rt	cd	rh	E	Et
1	1	95	2	1	6	0	---	1	---
2	2	32	0	2	1	---	---	2	2
3	2	32	4	2	2	---	0	5	4

PR - 6. MEDIUM SOIL - COLOR ⌚ 16 MIN.									
Ph	L	F	d	r	rt	cd	rh	E	Et
1	1	95	2	1	4	0	---	1	---
2	2	32	0	2	1	---	---	2	2
3	2	32	4	2	2	---	0	5	4

PR - 7. SYNTHETICS ⌚ 16 MIN.									
Ph	L	F	d	r	rt	cd	rh	E	Et
1	1	86	2	2	4	0	---	1	---
2	2	32	0	2	1	---	---	2	2
3	2	32	4	2	2	---	0	5	4

PR - 8. WOOL & DELICATE ⌚ 15 MIN.									
Ph	L	F	d	r	rt	cd	rh	E	Et
1	2	68	2	2	4	1	---	1	---
2	2	32	0	3	1	---	---	1	---
3	2	32	4	3	2	---	0	3	3

The parameters that appear on the chart can be modified: See the Advanced Operation Instructions **LOGI CONTROL** at the manufacturer's website: www.girbau.com, (USA/CANADA www.cont-girbau.com).

USA/Canada application. EH020, EM025. SP-1 models

PR - 1. EXTRA HEAVY SOIL - WHITE ⌚ 35 MIN.									
Ph	L	F	d	r	rt	cd	rh	E	Et
1	1	113	2	1	12	0	---	1	---
2	2	32	3	1	3	---	---	3	2
3	3	---	0	1	1	---	---	1	---
4	2	---	0	1	2	---	---	1	---
5	2	32	4	2	2	---	0	6	5

PR - 2. HEAVY SOIL - WHITE ⌚ 28 MIN.									
Ph	L	F	d	r	rt	cd	rh	E	Et
1	1	104	2	1	8	0	---	1	---
2	2	32	3	1	2	---	---	3	2
3	3	---	0	1	2	---	---	1	---
4	2	32	4	1	2	---	0	6	5

PR - 3. MEDIUM SOIL - WHITE ⌚ 28 MIN.									
Ph	L	F	d	r	rt	cd	rh	E	Et
1	1	104	2	1	8	0	---	1	---
2	2	32	3	1	3	---	---	3	2
3	3	---	0	1	2	---	---	1	---
4	2	32	4	2	2	---	0	6	5

PR - 4. LIGHT SOIL - WHITE ⌚ 25 MIN.									
Ph	L	F	d	r	rt	cd	rh	E	Et
1	1	68	2	1	5	1	---	1	---
2	2	32	3	1	3	---	---	3	2
3	3	---	0	1	2	---	---	1	---
4	2	32	4	1	2	---	0	6	5

PR - 5. HEAVY SOIL - COLOR ⌚ 28 MIN.									
Ph	L	F	d	r	rt	cd	rh	E	Et
1	1	104	2	1	10	0	---	1	---
2	2	32	0	2	1	---	---	3	2
2	3	---	0	2	2	---	---	1	---
3	2	32	4	2	2	---	0	6	5

PR - 6. MEDIUM SOIL - COLOR ⌚ 26 MIN.									
Ph	L	F	d	r	rt	cd	rh	E	Et
1	1	104	2	1	8	0	---	1	---
2	2	32	0	2	1	---	---	3	2
2	2	---	0	2	1	---	---	1	---
3	2	32	4	2	2	---	0	6	5

PR - 7. SYNTHETICS ⌚ 23 MIN.									
Ph	L	F	d	r	rt	cd	rh	E	Et
1	1	86	2	2	5	0	---	1	---
2	2	32	0	2	1	---	---	3	2
2	3	---	---	2	2	---	---	1	---
3	2	32	4	2	2	---	0	6	5

PR - 8. WOOL & DELICATE ⌚ 23 MIN.									
Ph	L	F	d	r	rt	cd	rh	E	Et
1	2	68	2	2	8	1	---	1	---
2	2	32	0	3	1	---	---	1	---
2	3	---	---	3	2	---	---	1	---
3	2	32	4	3	2	---	0	4	3

The parameters that appear on the chart can be modified: See the Advanced Operation Instructions **LOGI CONTROL** at the manufacturer's website: www.girbau.com, (USA/CANADA www.cont-girbau.com).

USA/Canada application. All models

Pr - 1. EXTRA HEAVY SOIL - WHITE ⌚ 54 MIN.									
Ph	L	C	d	r	rt	cd	rh	E	Et
2	2	86	0	1	5	---	---	1	---
3	2	104	1	1	3	---	---	3	3
4	1	176	2	1	11	0	---	2	2
5	2	104	3	1	6	---	---	3	2
6	3	---	0	1	2	---	---	1	---
7	3	---	0	1	2	---	---	1	---
8	2	32	4	1	3	---	0	6	6

Pr - 2. HEAVY SOIL - WHITE ⌚ 44 MIN.									
Ph	L	C	d	r	rt	cd	rh	E	Et
2	2	86	1	1	3	---	---	3	2
3	1	149	2	1	8	0	---	2	2
4	2	86	3	1	6	---	---	3	2
5	3	---	0	1	2	---	---	1	---
6	3	---	0	1	2	---	---	1	---
7	2	0	4	1	3	---	0	6	6

Pr - 3. MEDIUM SOIL - WHITE ⌚ 42 MIN.									
Ph	L	C	d	r	rt	cd	rh	E	Et
1	2	86	1	1	3	---	---	3	2
2	1	131	2	1	8	0	---	2	2
3	2	86	3	1	5	---	---	3	2
4	3	---	0	1	2	---	---	1	---
5	3	---	0	1	2	---	---	1	---
6	2	32	4	1	2	---	0	6	6

Pr - 4. LIGHT SOIL - WHITE ⌚ 30 MIN.									
Ph	L	C	d	r	rt	cd	rh	E	Et
1	2	104	2	1	6	1	---	0	---
2	2	86	3	1	4	---	---	3	2
3	3	---	0	1	2	---	---	1	---
4	3	---	0	1	2	---	---	1	---
5	2	32	4	1	2	---	0	6	6

Pr - 5. HEAVY SOIL - COLOR ⌚ 46 MIN.									
Ph	L	C	d	r	rt	cd	rh	E	Et
1	2	32	0	1	3	---	---	1	---
2	2	104	1	1	5	---	---	3	2
3	1	122	2	1	11	0	---	2	2
4	3	---	0	1	2	---	---	3	2
5	3	---	0	1	2	---	---	1	---
6	2	32	4	1	3	---	0	6	6

Pr - 6. MEDIUM SOIL - COLOR ⌚ 37									
Ph	L	C	d	r	rt	cd	rh	E	Et
1	2	86	1	1	3	---	---	3	2
2	1	104	2	1	9	0	---	2	2
3	3	---	0	2	2	---	---	3	2
4	3	---	0	2	2	---	---	1	---
5	2	32	4	2	3	---	0	6	6

Pr - 7. SYNTHETICS ⌚ 30 MIN.									
Ph	L	C	d	r	rt	cd	rh	E	Et
1	2	104	2	2	8	0	---	2	2
---	3	---	0	2	2	---	---	3	2
3	3	---	0	2	2	---	---	1	---
4	2	32	4	3	4	---	0	6	6

PR - 8. WOOL & DELICATE ⌚ 29 MIN.									
Ph	L	C	d	r	rt	cd	rh	E	Et
1	3	32	1	3	3	---	---	1	---
2	3	86	2	3	8	1	---	1	---
3	3	---	0	3	2	---	---	1	---
4	3	---	0	3	2	---	---	1	---
5	3	32	4	3	3	---	0	2	2

The parameters that appear on the chart can be modified: See the Advanced Operation Instructions **LOGI CONTROL** at the manufacturer's website: www.girbau.com, (USA/CANADA www.cont-girbau.com).

UK application

Pr - 1. HEALTHCARE ⌚ 49 MIN.									
Ph	L	C	d	r	rt	cd	rh	E	Et
1	2	0	0	1	2	---	---	1	---
2	2	0	1	1	2	---	---	3	3
3	1	65	2	1	12	0	---	2	2
4	2	40	3	1	6	---	---	1	---
5	3	---	0	1	2	---	---	1	---
6	2	0	4	1	4	---	0	6	7

Pr - 2. HEAVY SOIL - WHITE ⌚ 59 MIN.									
Ph	L	C	d	r	rt	cd	rh	E	Et
1	2	20	0	1	4	---	---	1	---
2	2	30	1	1	6	---	---	3	3
3	1	60	2	1	10	0	---	2	2
4	2	40	3	1	6	---	---	3	3
5	3	---	0	1	2	---	---	1	---
6	3	---	0	1	2	---	---	1	---
7	2	0	4	1	4	---	0	6	7

Pr - 3. MEDIUM SOIL - WHITE ⌚ 51 MIN.									
Ph	L	C	d	r	rt	cd	rh	E	Et
1	2	30	1	1	6	---	---	3	3
2	1	50	2	1	8	0	---	2	2
3	2	30	3	1	6	---	---	3	3
4	3	---	0	1	2	---	---	1	---
5	3	---	0	1	2	---	---	1	---
6	2	0	4	1	4	---	0	6	7

Pr - 4. LIGHT SOIL - WHITE ⌚ 37 MIN.									
Ph	L	C	d	r	rt	cd	rh	E	Et
1	1	40	2	1	6	1	---	0	---
2	2	30	3	1	6	---	---	3	3
3	3	---	0	1	2	---	---	1	---
4	3	---	0	1	2	---	---	1	---
5	2	0	4	1	4	---	0	6	7

Pr - 5. HEAVY SOIL - COLOR ⌚ 51 MIN.									
Ph	L	C	d	r	rt	cd	rh	E	Et
1	2	0	0	2	4	---	---	1	---
2	2	30	1	2	6	---	---	3	3
3	1	40	2	1	10	0	---	2	2
4	3	0	0	2	2	---	---	3	3
5	3	---	0	2	2	---	---	1	---
6	2	0	4	2	4	---	0	6	7

Pr - 6. MEDIUM SOIL - COLOR ⌚ 40 MIN.									
Ph	L	C	d	r	rt	cd	rh	E	Et
1	2	30	1	2	4	---	---	2	2
2	1	40	2	1	8	0	---	2	2
3	3	0	0	2	2	---	---	3	3
4	3	---	0	2	2	---	---	1	---
5	2	0	4	2	4	---	0	6	7

Pr - 7. SYNTHETICS ⌚ 30 MIN.									
Ph	L	C	d	r	rt	cd	rh	E	Et
1	1	40	2	2	6	0	---	2	2
2	3	0	0	2	2	---	---	3	3
3	3	---	0	2	2	---	---	1	---
4	2	0	4	2	4	---	0	6	6

Pr - 8. WOOL AND DELICATES ⌚ 32 MIN.									
Ph	L	C	d	r	rt	cd	rh	E	Et
1	3	0	1	3	4	---	---	1	---
2	2	30	2	2	8	1	---	1	---
3	3	0	0	3	2	---	---	1	---
4	3	---	0	3	2	---	---	1	---
5	3	0	4	3	4	---	0	4	3

The parameters that appear on the chart can be modified: See the Advanced Operation Instructions **LOGI CONTROL** at the manufacturer's website: www.girbau.com (USA/CANADA www.cont-girbau.com).

2.6.2. Interpretation of the program tables: symbols and values.


SYMBOL	OPTION	DESCRIPTION
	**	Estimated program time Minimum program time based on a machine with hot water supply and without heating. Time in minutes.
Ph	*	Phase number. The phase indicated with grey background belongs to the wash phase.
L	1 2 3	Bath level 1 Low level 2 Medium level 3 High level (units with pumped drain, levels 2 and 3 are the same)
C / F	***	Bath temperature Value in Centigrade or Fahrenheit degrees
d	0 1 2 3 4	Dosing 0 Phase without dosing 1 Pre-wash dosing 2 Wash dosing 3 Bleach dosing 4 Softener / neutraliser dosing
r	1 2 3	Drum rotation 1 Heavy-duty rotation: 25 sec. ON / 5 seconds stop. 2 Normal rotation: 15 sec. ON / 15 seconds stop. 3 Delicate rotation: 5 sec. ON / 25 seconds stop.
rt	**	Rotation time Value in minutes
c	0 1	Gradual cool down 0 Option non available 1 Option available
rh	0 1	Program stop in the last rinse (rinse hold) 0 Option non available 1 Option available
E	1 2 4 6	Bath drain 1 Drain + wash speed 2 Drain + positioning speed 4 Drain + medium spin speed 6 Drain + high spin speed
Et	** ----	Spin time Value in minutes Non programmable value in the phase

2.7 Stop modes

2.7.1 End of cycle

The buzzer and the LED indicating the end of the cycle inform that the program has finished and the door lock is released.

2.7.2 Interrupting a program

A. Key . Interrupting a washing program. **STOP** appears on the display. At the end of the safety delay, the buzzer and the LED indicating the end of cycle inform that the program has finished and the door lock is released.


B. Emergency stop.

(except **MS-610 / EM025, HS-6008 / EH020** models)

Pressing once on the **EMERGENCY** switch interrupts the washer operation and opens the drain valve.

ALM/EMER appears on the display.

After a delay of approximately 3 minutes, the door is released.

To resume the wash cycle, release the switch and press **ONCE** the key .

To cancel the wash cycle, release the switch and press **TWICE** the key .

C. Other stop modes are:

- Disconnecting the **ON/OFF** switch.
- Disconnecting the external automatic switch.

We do not recommend these stop modes, except in an emergency. In these cases, as long as the door remains closed, the machine will understand that there has been a power failure. When the power is switched back on, the machine will resume the program in progress.

D. Interruption of the power supply. The operation of the washing machine is interrupted: the drain valve opens and after a delay of approximately 3 minutes, the door is released.

If the door remains closed when the power supply is reestablished, the wash cycle is resumed.

If the door is open, the wash cycle is cancelled.



On machines with pumped drain, the disconnection of the external automatic switch or the ON switch do not allow the bath drain.



When a washing program is interrupted by electrical power failure, disconnecting the ON switch, or activating the Emergency Stop, the door lock mechanism stops being controlled by the microprocessor and the opening of the door is thermally delayed. In these circumstances, it is normal to have a washer delay or inactive time of about 3 minutes.



Risk of entrapment

To avoid the risk that, while playing, a child gets entrapped inside a washer **IT IS CAUTIONED THAT:**

- After giving the start order, a safety delay of 30 seconds starts during which the drum rotation and the entry of water operate at short impulses and the door remains released (see section 2.4)
- All the mechanisms that **interrupt a program** described in this section:
 - stop the washer motor
 - open the drain valve
 - disconnect the door lock which can be opened after approximately 3 minutes.

2.8. Unbalance control

Before starting spin, the electronic control of the washing machine checks the correct distribution of the load. If it detects that the load is not well distributed and that can cause an excessive unbalance during the spin, a new positioning of the clothes will be carried out.

If there's still unbalance during the spin of the last phase, the washer can end the washing cycle reducing the spin speed.

Unbalance control with a micro-switch. Activates only in cases of extreme unbalance.



To improve the efficiency of the spin of the washer it's advisable to:

- Load the washer until its nominal value.
- Load the washer with homogeneous loads

2.9 DELAY option

The **DELAY** option allows you to program the start time of a program depending on the needs of the user. For example: using two-rate electricity, rationalisation of electricity consumption, adjusting the laundry production system, etc.



To use the **DELAY** option, it is essential for the washing machine to have a real-time operation kit installed (clock). If the machine did not come with this kit, you can install one easily. Contact your distributor.

Before the first use, and each time there is a time change, verify and/or adjust the time on the clock. (See **ADVANCED USE MODE**, sect. 2.5 at www.girbau.com) (USA/CANADA: www.cont-girbau.com)

2.9.1 Delaying a program.

- Load the washing machine and close the door.
- Place washing products in the dispenser compartment.
- Select the program to be used and press the **MOD** button. The **dLY** report will appear on the display.
- To cancel the **dLY** option, press the **START/STOP** button

2.9.2. Programming start time

- When **dLY** is displayed, press the **MOD** button. The current time will appear on the screen, in "**h,m**" format (hours, minutes, using a 24-hour clock).
- The minutes are shown flashing. You can change them by pressing the buttons **▲▼**.
- Press the **ACCEL** button to validate the minutes and start to modify the hours.
- The hours are shown flashing. You can change them by pressing the buttons **▲▼**.
- Once you have chosen the desired start time, push **START/STOP**. The start time and the selected program will be displayed alternatively.
- To cancel the delay of a program, select and hold **START/STOP** button, for five seconds.

3. ADVANCED USE MODE. MOD mode.

There is an advanced use mode: the **MOD** mode. This mode includes five different menus through which each user can personalise the operation of the washing machine.

Menus for advanced use mode:

MENU	PURPOSE
Pro	Modification of the program contents
INFO	Information menu
Mod	Modification of operation parameters
Ncod	Modification of the access code
HOUR	Adjustment of the system time

Information on the menus, details and access mode: refer to the Advanced Operation Instructions for **LOGI CONTROL**, at the manufacturer's website: www.girbau.com.
(USA/CANADA www.cont-girbau.com).

4. TROUBLESHOOTING

Some of the washing machine's operating problems can be solved through the intervention of the user. These problems are detailed below.

Should you have any questions, remember to consult the Authorised Technical Service.

4.1 What to do when...

....the wash cycle ends with the report: END/BAL

This report indicates that the final spin cycle is not possible because the load is unbalanced.

- Unload the machine and load it again.
- Begin the wash cycle and accelerate the program to the last phase.
- The washing machine will repeat the last spin cycle without refilling with water.
- If the problem persists, or occurs often, contact the Authorised Technical Service.

....the machine makes a strange noise during the spin cycle.

- Check the levelling of the machine. See Instruction Manual for Installation.
- Tighten the locking screws on the outside panels.
- If the problem persists, contact the Authorised Technical Service.

.... the door may have a leak

- Clean the door seal of any possible deposits or remains of cloth

.... there is water leaks inside the washer cabinet.

- Check the outlet draining pipe.
- Check the seals on the water inlet hoses; tighten the connection couplings.
- Check the condition of the door seal and if there are any ruptures.
- machines with pumped darain: Check the coupling of the filter and the draining pump (*section 4.6*)
- if the problem persists, seal all of the water inlets and contact the Authorised Technical Service.

....you have forgotten the access code for the advanced operating mode

- Contact the Authorised Technical Service.

.... the clock (option) stops working correctly

- Possible battery failure. Contact the Authorised Technical Service to have it replaced.

4.2 System alarms

The safety of the washing machine use requires that the machine itself precisely monitor any possible anomalies. These anomalies are reported in the form of alarms.

On the washing machine's display, the **ALM** message will appear, alternating with the specific alarm report.

Below are possible causes of alarms and the steps to follow.

REPORT ON THE DISPLAY	PROBABLE CAUSE	WHAT TO DO
ALM/A-*	Faulty water inlet	Check water input pressure. Check manual water inlet valves. Check the status of the filters in the electrovalves (see section 5: <i>Maintenance</i>).
	Defect in the electrovalves. Defect in the level control system.	Call Service
ALM/E	Machines with pump drain: obstruction of the draining pump.	Call Service
	Anomaly in the drain system. Erroneous drain configuration.	Check the status of the washing bath's output hoses. Call Service
ALM/HOT	Inadequate stop of the washing machine with bath at high temperature. Excess of temperature with machine stopped. Anomaly in the heating system.	Close the door of the washing machine to allow opening of cold water valve. Press STOP key to drain the bath and access to the door opening. Repeat this operation until the alarm report disappears. If the alarm report does not disappear after five attempts, disconnect the general power supply and close water inlet manual valves. Call Service
ALM/L	Leakage in the electrovalve. Bath level with machine idle.	Close manual water inlet valves Call Service
ALM/SL	Bath level exceeded.	Close manual water inlet valves Call Service
ALM/C	Defect in the temperature probe. Erroneous heating configuration. Defect in the heating circuit.	Call Service
ALM/Prob	Defect in the temperature probe.	Call Service
ALM/BAL	Defect in the unbalance control switch.	Call Service
ALM/VAR*	Disconnection of the motor's thermal protection. Alarm set off by the inverter.	Call Service
ALM door	Faulty door lock	Call Service
Hot	Interruption of the program by STOP key with bath at high temperature.	The washing machine will automatically accept cold water and will not allow door unlock. When the bath temperature is below 45°C (133F) the bath will drain and the safety door lock will be unlocked.
door	Badly closed door	Open and close door

5. MAINTENANCE



- Before performing any work on the washing machine, disconnect and mechanically lock the external switch, and close and mechanically lock the manual water inlet valves.
- Check the temperature of the parts to be handled, to avoid the risk of burns.
- The dispenser may contain residues of chemical products. When handling this component, avoid direct contact with the skin and use eye protection.
- The draining pump and valve may contain residual water. When handling these components, avoid direct contact with the skin and use eye protection.
- Remember to reassemble ALL of the panels and place them correctly after any maintenance work.

5.1 Operations described

- Cleaning the washer (*section 5.2*)
- Cleaning the door seal (*section 5.3*).
- Cleaning the electro valve filters (*section 5.4*)
- Cleaning the dispenser (*section 5.5*)
- Cleaning the draining pump (models **HS-6008/EH020** with pumped drain) (*section 5.6*)

5.2. Cleaning the washer

- We recommend periodic cleaning of the outside of the washing machine. Use a damp cloth or sponge.
- To remove traces of grease, use mild soap and rinse as required.
- Never use abrasive products or tools that could scratch or damage the surface of the washing machine.

5.3. Cleaning the door seal

- Use a damp cloth or sponge.
- Be especially careful to remove traces of laundry products or pieces of fabric that could be caught between the folds of the seal.
- Never use abrasive products or tools that could cut or damage the seal.

5.4. Cleaning the electro valve filters

Tools required:

- Disassembly of the fittings: Slip-joint plier or pipe wrench diam. 1-1/2 in. (35 mm).
- Disassembly of the filter supports: wrench 1-3/8 in. (34 mm).
- Disassembly of the filters: pliers.

Steps to follow

- Disconnect and mechanically lock the external switch. Close and mechanically lock the manual water inlet valves.
- Check the temperature of the hot water inlet hose, so as to avoid the risk of burns.
- Disassemble the fittings that connect the hoses to the washing machine.
- Disassemble the filter supports (according to model).
- Remove the filters from their housings and clean the filters with pressurised water. Place them back into their housings.
- Assemble the supports to the electrovalves (according to model).
- Assemble the hoses in their corresponding inputs. Tighten the fittings.
- Connect the external switch, open the manual water input valves and check the water tightness of the coupling.

5.5. Cleaning the dispenser

- Disconnect and mechanically lock the external switch. Close and mechanically lock the manual water inlet valves
- Clean the dispenser by using a cloth or sponge dampened with water. Warm water makes cleaning easier. Never use abrasive products or tools that could scratch or damage the dispenser.

Once the dispenser cleaning and assembly operations are finished:

- Connect the external switch and open the manual water inlet valves.
- Start a washing program that uses a bleaching agent and softener and check that both compartments drain properly.

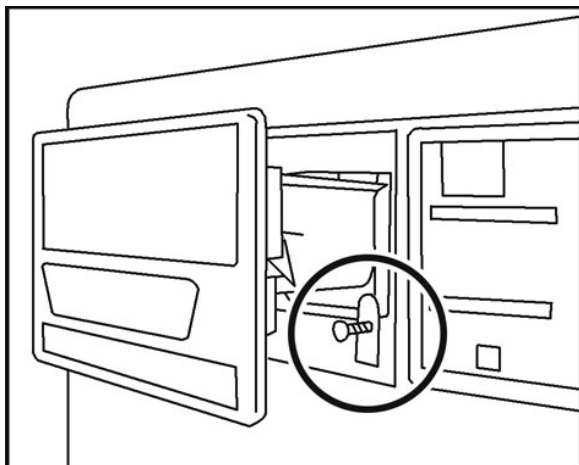


fig. 4

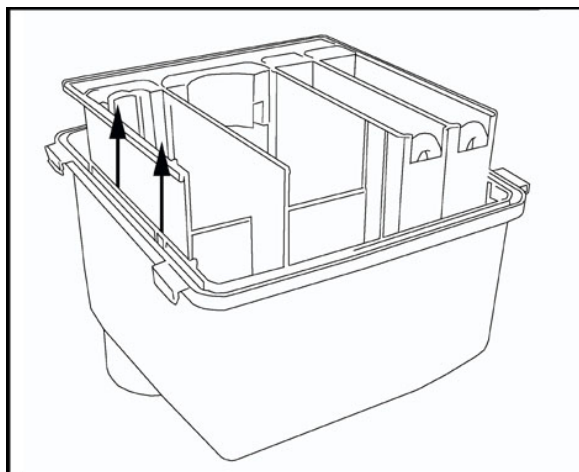


fig. 5

WASHERS WITH FRONT DISPENSER.

Tools required:

Disassembly of the fastening tabs: Torx. T20 screwdriver.

Disassembly and assembly:

- Open the dispenser drawer and loosen the screws on the retaining tabs visible along the bottom (**fig. 4**).
- Completely remove the drawer and dismount the siphon tubes from the liquid compartment by pulling them upwards.

Once the cleaning operations are over:

- Replace the siphon tubes and place the drawer in its housing.
- Remount the fastening tabs and check that the drawer can not be completely removed.

WASHERS WITH TOP DISPENSER.

Disassembly

- Open the fastening clasps on the top cover. The dispenser is now accessible.
- Dismount the siphon tubes from the liquid compartment by pulling them upwards.
- To clean the lower basin, remove the leak seal and separate the two dispenser bodies by separating the side lips (**fig. 5**).

Once the cleaning operations are over:

- Remount the two dispenser bodies and check that the side lips fasten both pieces.
- Replace the siphon tubes.
- Check that the dispenser is set well in its bracket.
- Check condition of top cover seal. If seal is damaged, deformed or has lost elasticity, call Service for replacement.
- Replace the seal. Assemble the top cover. Close the locks.

**VERY IMPORTANT**

The protection of dispenser seal is necessary to prevent humidity and corrosion inside the machine and the premature damage of the electrical and electronic circuits of machine control.

5.6. Cleaning the drain pump (Drain pump washers)



Only by the Authorised Technical Service

Required tools:

Disassembly of the lower front panel: Torx. T25 screwdriver.

- Before disassembling the lower front panel of the washing machine, disconnect and mechanically lock the external switch, and close and mechanically lock the manual water inlet valves.
- Empty any residual water contained in the drain ducts, placing the corrugated rear tube horizontally on the floor. The water will come out of the end.
- Disassemble the lower front panel. The draining pump is accessible.
- Turn the filter counter-clockwise and separate it from the pump body

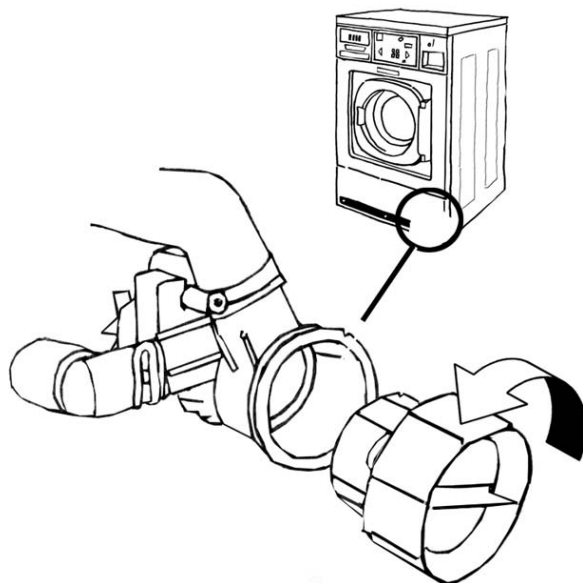


fig. 6

- Clean the filter and the possible deposits from the inside of the pump body.
- Assemble the filter and the draining pump.
- Assemble the lower panel.



The bottom front cover is a stabilising element of the washer cabinet. Make sure that it is properly mounted and fastened.

- Connect the external switch and open the manual water inlet valves.
- Begin a washing program and check that there are no water leaks

5.7. Revising the safety mechanisms.

MONTHLY check the safety mechanisms on the door lock and the emergency stop.



CAUTION

Use great prudence in checking the safety mechanisms.

Carry out the verification described in following while the drum is turning at washing speed and never at a higher speed.

If there is a failure in the door lock, never place one's hand in the loading area of the washer.

Verification procedure:

Disconnect the **ON/OFF** switch. The display is off.

Close and mechanically lock the manual water inlet valve (and steam inlet valves for washers with this option).

Open the washer door.

Connect the **ON/OFF** switch. The display will read **door**.

Close the door. The display will read **Pr-1**.

Select and start a wash cycle.

After about a minute from starting the cycle, check that the door is locked.

Appliances with Emergency Push-Button only

Then activate the **EMERGENCY** button. The buzzer will sound and the drum will stop rotating. The display will read **ALM EMER**.

Unlock the emergency button and press the **STOP** key.

Press the **STOP** key.

After a safety delay of about 3 minutes, the door will be released.

The verification is finished.

If no anomaly has been detected, open the fluid inlet valves.



CAUTION

If noticing anything other than what was described during the operation, disconnect the washer, do not use it, and **URGENTLY** contact the Authorised Technical Service.

5.8. General Revision

Only by the Authorised Technical Service.

- As preventive maintenance action, it is very important to ask the Authorised Technical Service for a periodic overhaul of the washing machine.
- Recommended periodicity: every year or each **3000** washing cycles.
- When performing this operation in models **HS-6008 (EH020)**, due to the fatigue they are subject to, we recommend carefully checking the door seal and replacing if wear is noticed.

6. SERVICE REMOVAL



- **Removing the washer from service requires a specialised company.**
- **Never release the washer unsecured.**
- **To release the washer and subsequent transportation, refer to the same specifications and cautions indicated for Installation.**

When removing the machine from service:

- Disconnect the external switch and lock it mechanically. Remove the power wires.
- Close and mechanically interlock the manual water supply valves. Remove water supply hoses.
- Disassemble the drain outlet pipe and empty any residual water left in the washing machine.
- Assemble the shipping restraints.
- Disassemble the door of the washing machine (consult the Authorised Technical Service).

6.1 Dismantling

Most of the machine's components are made with recyclable or recoverable materials. The injected pieces bear information on the materials that were used to make them.

The main materials are:

- Steel plates.
- Stainless plate.
- Grey cast iron.
- Aluminium
- Glass
- Polypropylene (PP)
- Ethylene Propylene (EPDM)
- ABS.
- Copper.
- Electronic components



Management of waste electronic equipment.

The manufacturer is obliged to advise that in compliance with directive 2002/96/EC about management of waste electronic equipment:

- The electronic components installed in the washing machine, must be dismantled and delivered to treatment facilities authorised for this purpose.
- If it is not possible to deliver to an authorised treatment facility, the manufacturer will be in charge of collecting and managing this waste through his distributors or Authorised Service.