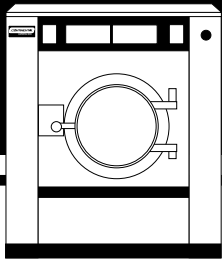




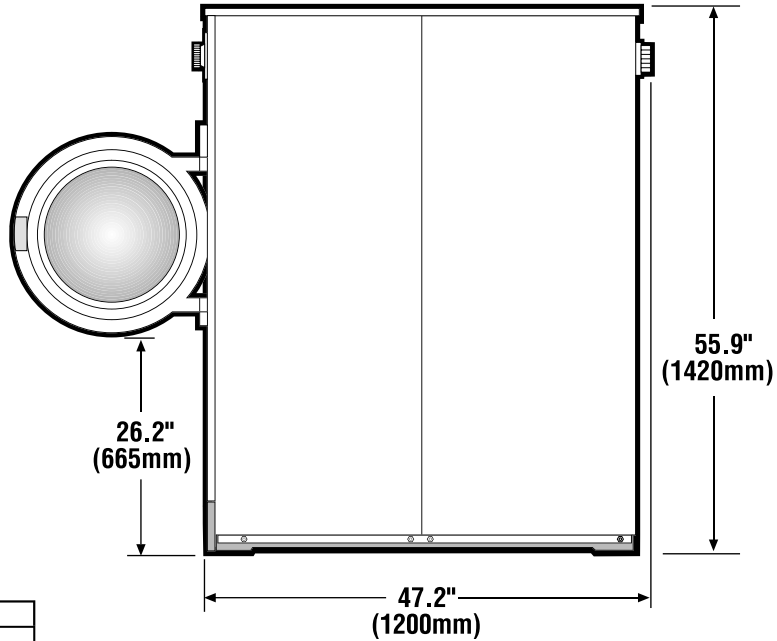
GIRBAU, INC.

2500 State Road 44 • Oshkosh, WI 54904
 (920) 231-8222 • FAX (920) 231-4666
 www.cont-girbau.com



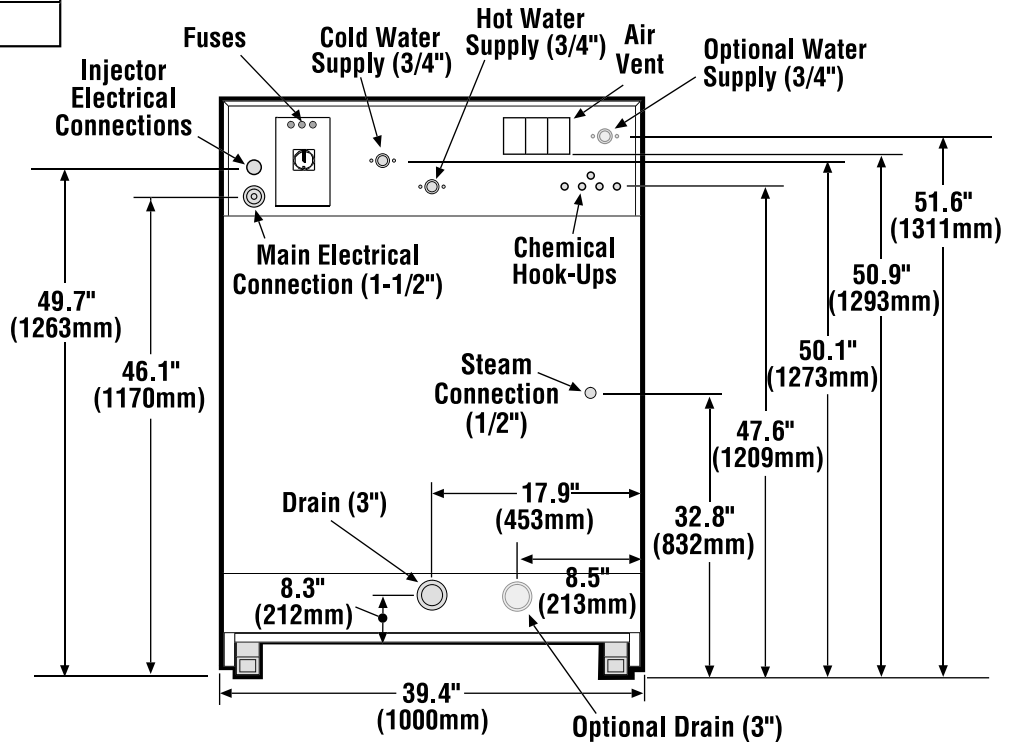
H2055

**HIGH-PERFORMANCE
 WASHER-EXTRACTOR**



Electrical Data

Voltage	Wire Config.	Amp Protection
208-240/60/1	2W+G	15
208-240/60/3	3W+G	10
440/60/3	3W+G	6



*Specifications subject to change without notice.

H2055 Product Technical Specifications

Capacity	55 lbs.	(23 kg.)
Cylinder Diameter	29.1 in.	(740 mm.)
Cylinder Depth	21 in.	(530 mm.)
Cylinder Volume	8.2 cu. ft.	(228 dm ³)
Crated Weight	1825 lbs.	(828 kg.)
Net Weight	1607 lbs.	(729 kg.)
Height	55.9 in.	(1420 mm.)
Overall Depth	47.2 in.	(1200 mm.)
Width	39.4 in.	(1000 mm.)
Floor to Door	26.2 in.	(665 mm.)
Washing Speed	14/25/35/46 rpm	
Spin Speeds	208-240/60/1	83/400/530/660/800 rpm
	208-240/60/3	83/400/600/800/917 rpm
G-Force	208-240/60/1	2.8/66/116/180/265
	208-240/60/3	2.8/66/149/264/380
Drain Diameter	3 in.	(76 mm.)
Water Inlets	3/4 in.	(19 mm.)
Water Pressure	7-87 PSI	(0.5-6 bar)
Water Flow	16 gal/min.	(60 l/min.)
Steam Connection	1/2 in.	(12.7 mm.)
Steam Pressure (optional)	29-87 PSI	(2-6 bar)
Steam Flow (optional)	176 lbs/h	(80 kg/h)
Motor Power	1.8 kVA	
Electric Heating Power (optional)	20.8 kVA	
Shipping Dimensions (W x D x H)	44.5 x 51.2 x 61.4 in.	(1130 x 1300 x 1560 mm.)

Chemical Hook-Up Information

TERMINAL CONNECTIONS ALL MODELS		CHEMICAL INJECTION (Dosing)
		PM MODEL TERMINAL CONNECTIONS
Supply #	Conn. #	
5	X5-6	47
4	X5-5	46
3	X5-4	45
2	X5-3	44
1	X5-2	43
Common	X5-1	207

