

Mod.	From serial no. A partir máq. nº
H2055	1.300.428

Parts Handbook for Washers

Manual de Despiece para lavadoras

Notice Vues Eclatées pour laveuses

H2055

GIRBAU, S.A.

Crta de Manlleu, km. 1
08500 VIC (Barcelona) • SPAIN
Tel. 34 93 8861100
Fax 34 93 8860785
girbau@girbau.es
www.girbau.com

**Parts Handbook
Despiece
Vues Éclatées**

H2055

USA, CANADA:

CONTINENTAL GIRBAU Inc.

2500 State Road 44
WI 54904 Oshkosh • USA
Tel. 1(920) 231-8222
Fax 1(920) 231-4666
info@cont-girbau.com
www.cont-girbau.com

NOTES TO USE PARTS LIST

Sheets no. 1,2,3,4,5,6 & 7:
Are common for all versions.

Sheet no. 8:
The bottom just refers to three water inlets machine (PM only).

Sheet no. 9:
Relates to electrical heated machines.

Sheet no. 10:
Relates to steam heated machines.

ACLARACIONES PARA EL USO DEL DESPIECE

Hojas nº 1,2,3,4,5,6 y 7:
Son comunes a todas las variantes.

Hoja nº 8:
La parte inferior es sólo para las máquinas con tres entradas de agua (Solo PM).

Hoja nº 9:
Corresponde a las máquinas con calefacción eléctrica.

Hojas nº 10:
Corresponde a las máquinas con calefacción a vapor.

NOTES UTILISATION VUES ECLATEES

Feuilles no.1,2,3,4,5,6 et 7:
Sont communes à toutes les versions.

Feuille no. 8:
La partie inferieur est seulement pour les machines à trois arrivées d'eau (Seulement PM).

Feuille no. 9:
Correspond aux machines à chauffage électrique.

Feuilles no. 10:
Correspond aux machines à chauffage à vapeur.

VERY IMPORTANT:

Before ordering parts be sure they have not been modified. Check it on modification sheet, after the corresponding sheet.

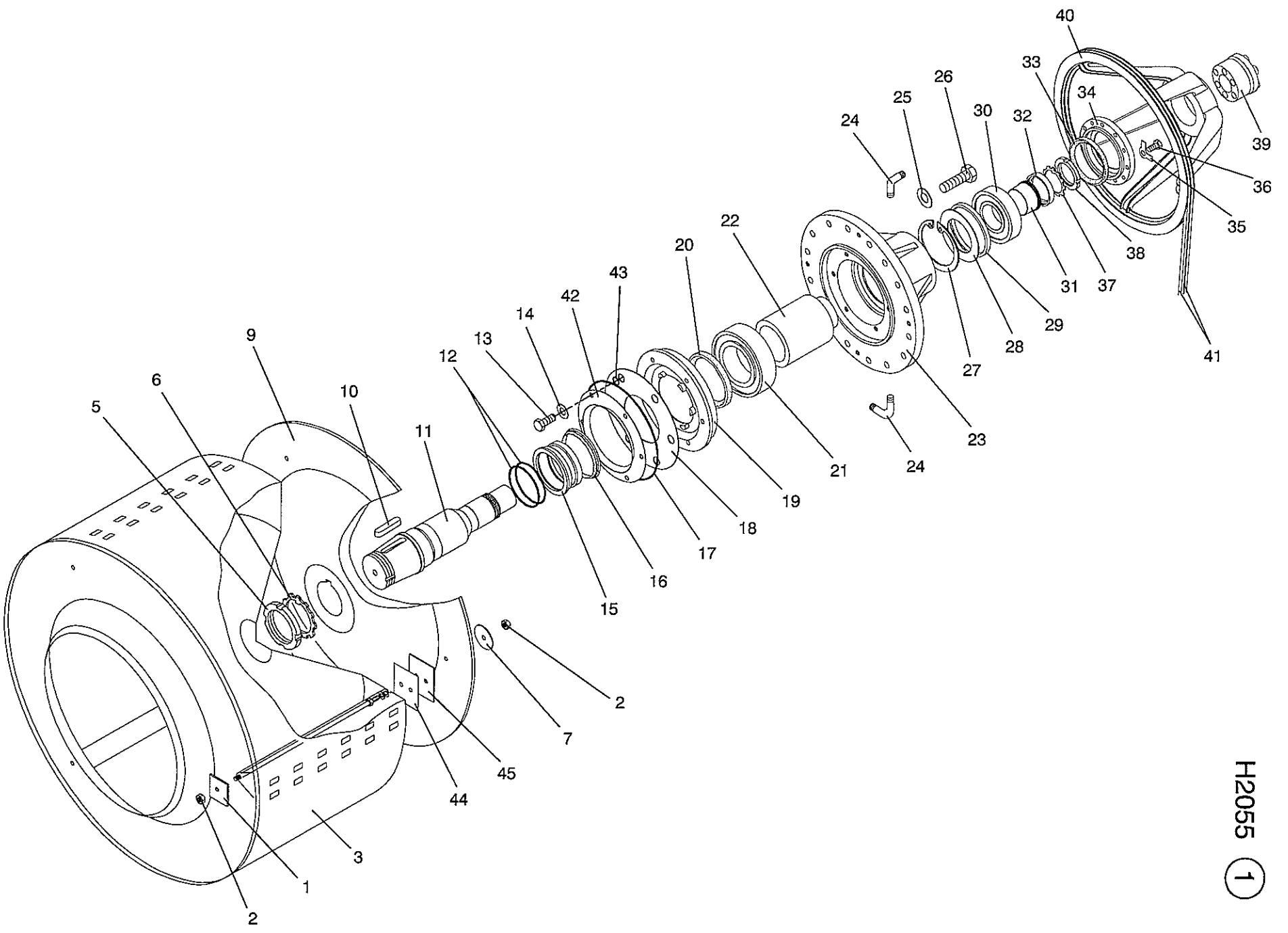
MUY IMPORTANTE:

Al pedir una pieza cerciorarse antes de que la misma no ha sido modificada. Si lo hubiese sido, estaría situada como hoja de modificaciones, detrás de la hoja correspondiente.

TRES IMPORTANT:

Avant de commander une pièce, s'assurer qu'elle n'a pas été modifiée. Le vérifier sur feuille de modifications, derrière la feuille correspondante.

U.15512



H2055 ①

Nº	REF	DENOMINATION	DENOMINACIÓN	DENOMINATION
1	210229	BASKET SHOVEL RENFORT	REFUERZO PALA TAMBOR	REFORT PALETTE TAMBOUR
2	149997	INOX HEX NUT DIN 934 M-16	TUER.EX.DIN934 INOX A2-70 M16	ECROU HEX.INOX DIN 934 M-16
3	210724	* BASKET BODY	CUERPO TAMBOR	CORPS TAMBOUR
5	111625	FIXING NUT KM-18	TUERCA FIJACION TAMBOR	ECROU FIXATION KM-18
6	228981	LOCKING WASHER	ARANDELA DE CIERRE	RONDELLE DE FERMETURE
7	289686	INOX WASHER 82X17X3	ARANDELA 82X17X3 INOX	RONDELLE 82X17X3 INOX
9	217414	BASKET COUPLING	ACOPLAMIENTO TAMBOR	ASSAMBLAGE TAMBOUR
10	111609	PIN DIN-6885-A 60X28X16	CHAVETA DIN 6885-A 60X28X16	CLAVETTE DIN-6885-A 60X28X16
11	273136	BASKET SHAFT	EJE TAMBOR	PALIER TAMBOUR
12	121509	TORIC GASKET 92X100X4	JUNTA TORICA 92X100X4	JOINT TORIQUE 92X100X4
13	109314	INOX HEX SCREW DIN 933 M10X 55	TOR.EX.DIN933INOX A2-70 M10X55	VIS HEX INOX DIN 933 M10X 55
14	217133	WASHER 27X10.3X3	ARANDELA 27X10.3X3 INOX	RONDELLE 27X10.3X3
15	250449	SEAL RING	ANILLO RETENES	BAGUE RESERVES
16	193607	RING V-RING V-110 S VITON	ANILLO V-RING V-110 S VITON	BAGUE V-RING V-110 S VITON
17	121483	TORIC GASKET 240,67X254,65X6,99	JUNTA TORICA 240,67X254,65X6,99	JOINT TORIQUE 240,67X254,65X6,99
18	258244	SEAL COVER	TAPA RETEN	COUVERCLE RESERVE
19	250407	FRONT SEAL COVER	TAPA RETEN ANTERIOR	COUVERCLE RESERVE AVANT
20	121517	SEAL 130X110X12 BA	RETEN 130X110X12 BA	RESERVE 130X110X12 BA
21	118307	BEARING NU-218E	RODAMIENTO NU 218 ECP	ROULEMENT NU-218E
22	250415	BEARING END PIECE	TOPE COJINETES	ARRET ROULEMENTS
23	266965	BEARING CASE	CAJA COJINETES	BOITE ROULEMENTS
24	122531	HOSE ELBOW 5/8" RE. 46610	CODO MANGUERA 5/8"REF.46610	COUDE TUYAU 5/8" RE. 46610
25	149419	BICR.WASHER B DIN125-ST 13	ARAN.B DIN125-ST B.TRI.13	RONDELLE B DIN125-ST BICR.13
26	157354	HEX SCREW 8G DIN 933 M-12X45	TOR.EX.DIN933-8.8 B.TRI.M12X45	VIS HEX 8G DIN 933 M-12X45
27	121988	FLEXIBLE RING I-110 DIN 472	ANILLO ELASTICO I-110 DIN 472	BAGUE ELASTIQUE I-110 DIN 472
28	250472	GREASE OBTURATION PLATE	PLACA OBTURACION GRASA	PLAQUE OBTURATION GRAISSE
29	121400	GUIDE RING FRA 10/110	ANILLO DE GUIA FRB 10/110	BAGUE DE GUIDE FRA 10/110
30	119917	BEARING 22212 EK	RODAMIENTO 22212 EK	ROULEMENT 22212 EK

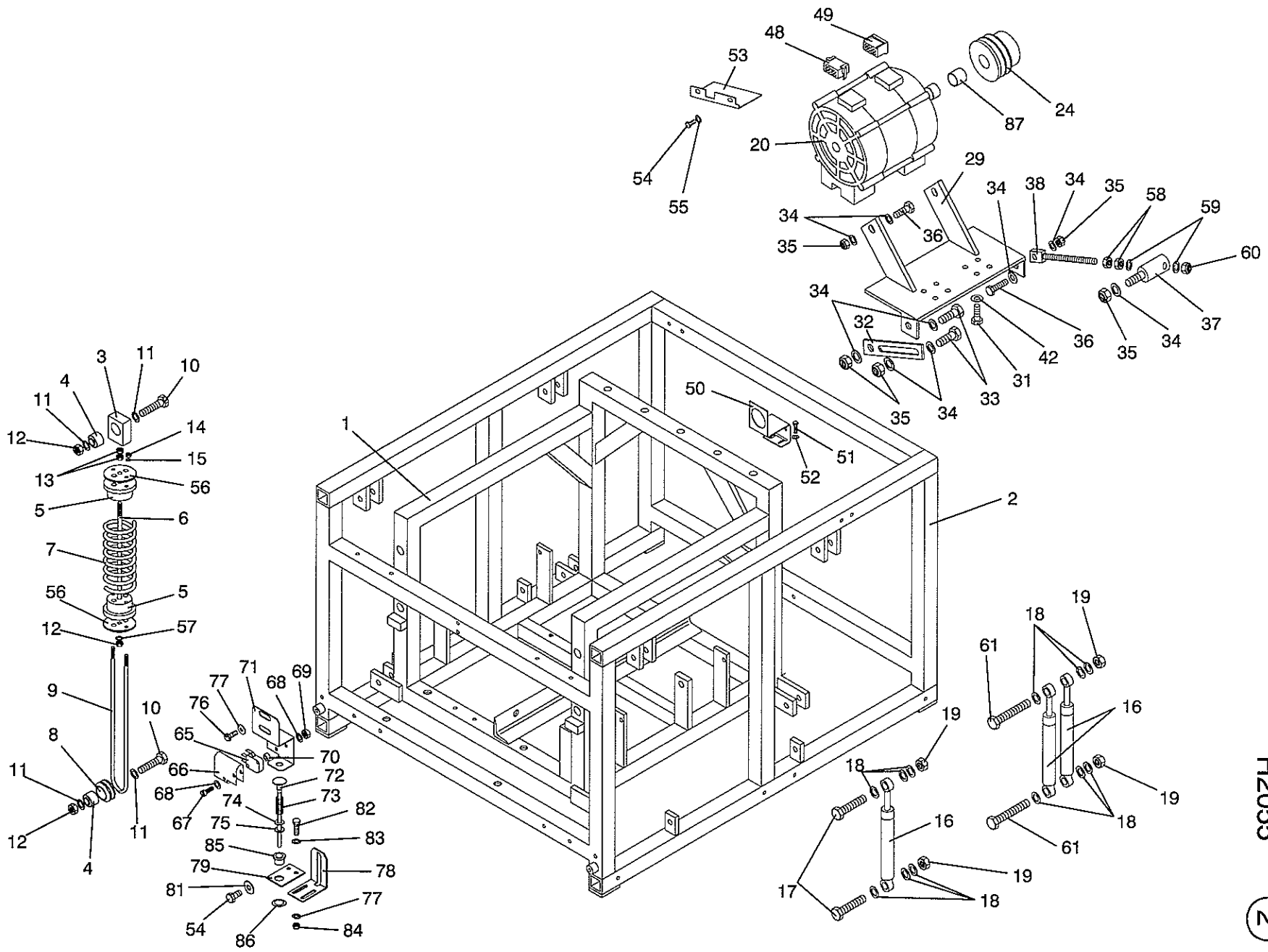
N°	REF	DENOMINATION	DENOMINACIÓN	DENOMINATION
31	120212	DISASSEMBLY SLEEVE AHX-312	MANGUITO DESMONTAJE AHX-312	MANCHON DEMONTAGE AHX-312
32	250464	SEAL RING	ANILLO RETEN	BAGUE RESERVE
33	121897	SEAL 78X100X10 BA	RETEN 78X100X10 BA	RESERVE 78X100X10 BA
34	266940	REAR SEAL COVER	TAPA RETEN POSTERIOR	COUVERCLE RÉSERVE ARRIÈRE
35	262675	SAFETY WASHER 5,3 DIN 463	ARANDELA SEGURIDAD 5,3 DIN 463	RONDELLE SECURITE 5,3 DIN 463
36	146225	BI.HEX SCREW DIN933-8.8 M-5X25	TOR.EX.DIN933-8.8 B.TRI.M 5X25	VIS HEX BICR.DIN933-8.8 M-5X25
37	249680	LOCKING WASHER	ARANDELA DE CIERRE	RONDELLE DE FERMETURE
38	131466	FIXING NUT KM-11	TUERCA FIJACION KM-11 FAG	ECROU FIXATION KM-11
39	197269	SELFCENT.FIX.UNIT.5B 48X 80	UNIDAD FIJ.AUTOCENT.5B 48X 80	UNITE FIX.SELFCENT.5B 48X 80
40	273151	BASKET PULLEY	POLEA TAMBOR	POULIE TAMBOUR
41	159657	BELT SPZ 2000	CORREA TRAPECIAL SPZ-2000	COURROIE SPZ 2000
42	258681	V-RING PROTECTION	PROTECCION V-RING	PROTECTION V-RING
43	109173	TORIC GASKET 10X17X3,5	JUNTA TORICA 10X17X3,5	JOINT TORIQUE 10X17X3,5
44	213710	BASKET CENTERING PIECE	PIEZA CENTRADO TAMBOR	PIECE CENTRAGE TAMBOUR
45	213728	BASKET CENTERING PIECE	PIEZA CENTRADO TAMBOR	PIECE CENTRAGE TAMBOUR

* 273177 COMPLETE BASKET (WITH SHAFT)

TAMBOR COMPLETO (CON EJE)

TAMBOUR COMPLET (AVEC AXE)

U.15513



H2055

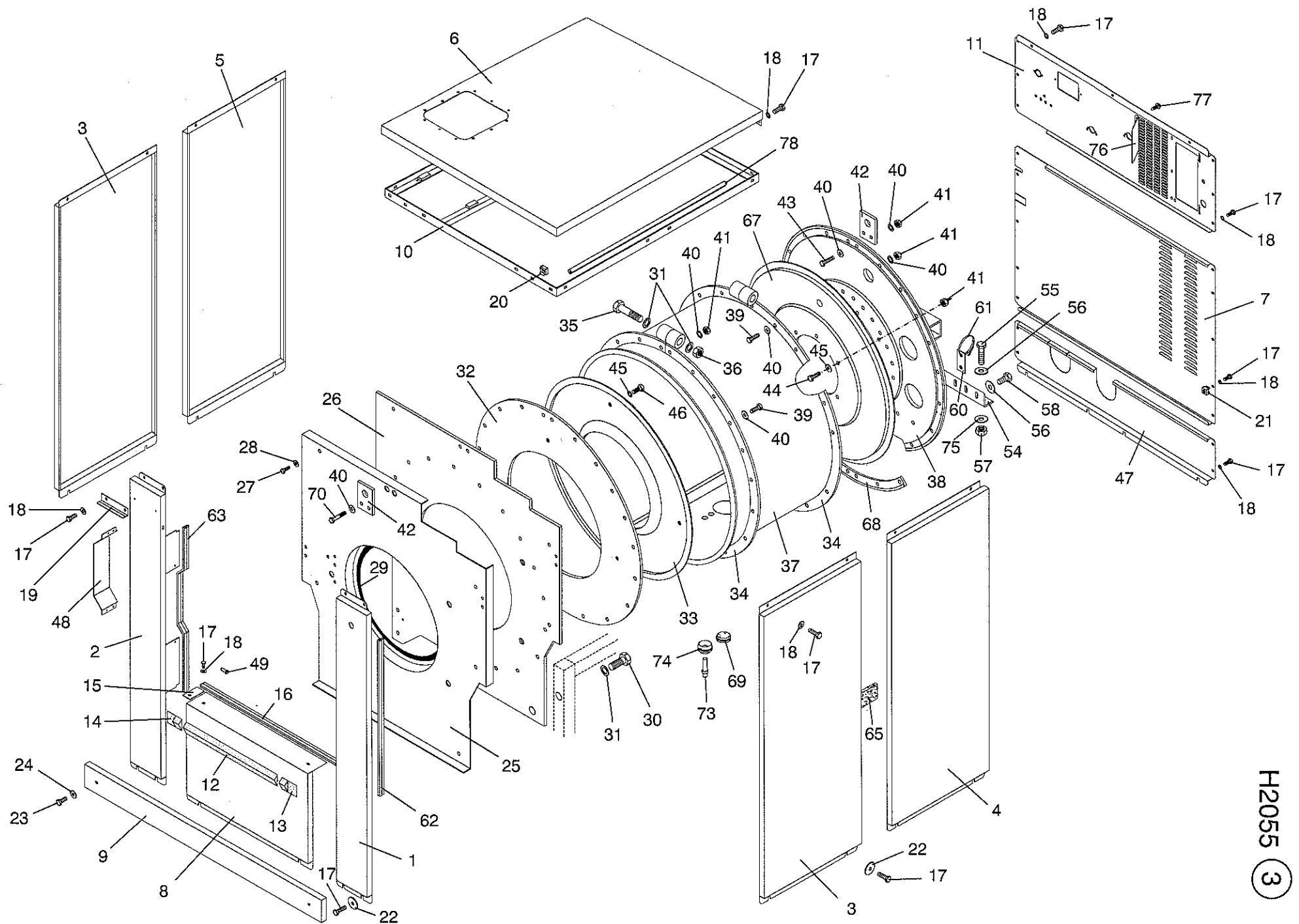
2

N°	REF	DENOMINATION	DENOMINACIÓN	DENOMINATION
1	272294	SUSPENDED CHASSIS	CHASIS FLOTANTE	CHASSIS SUSPENDU
2	407916	FIXED CHASSIS	CHASIS FIJO	CHASSIS FIXE
3	249623	SUSPENSION HINGE	CHARNELA SUSPENSION	CHARNIERE SUSPENSION
4	117671	FLEXIBLE SLEEVE 12X30X28X34	CAS.ELA.12X30X28X34 R450486428	FRETTE ELASTIQUE 12X30X28X34
5	279851	SUSPENSION CLAMP	BRIDA SUSPENSION	BRIDE SUSPENSION
6	279869	SUSPENSION BAR	VARILLA SUSPENSION	BAGUETTE SUSPENSION
7	197384	* SUSPENSION SPRING	MUELLE SUSPENSION	RESSORT SUSPENSION
8	249631	SUSPENSION SLEEVE	CASQUILLO SUSPENSION	FRETTE SUSPENSION
9	272278	SUSPENSION BRACKET	HORQUILLA SUSPENSION	FOURCHETTE SUSPENSION
10	122036	HEX SCREW 8G DIN-931 M-12X80	TOR.EX.DIN931-8.8 B.TRI.M12X80	VIS HEX 8G DIN-931 M-12X80
11	149419	BICR.WASHER B DIN125-ST 13	ARAN.B DIN125-ST B.TRI.13	RONDELLE B DIN125-ST BICR.13
12	150656	SELFBLOCKING NUT DIN985 M-12	TUER.AUTOB.DIN985-8 B.TRI.M12	ECROU AUTOBLOCANT DIN985 M-12
13	150235	BICR.HEX NUT DIN 934-8 M-12	TUER.EX.DIN934-8 B.TRI.M12	ECROU HEX DIN 934-8 BICR.M-12
14	164285	SELFBLOCKING NUT DIN985 M-8	TUER.AUTOBL.DIN985-8 B.TRI.M8	ECROU AUTOBLOCANT DIN985 M-8
15	261529	WASHER 25X8,5X4	ARANDELA 25X8.5X4 TRIVALEN.	RONDELLE 25X8,5X4
16	175091	FRICITION SHOCK-ABSORBER	AMORT.FRICC.154020011336 180N	AMORTISSEUR FRICTION
17	175745	HEX SCREW 8G DIN 931 M-10X60	TOR.EX.DIN931-8.8 B.TRI.M10X60	VIS HEX 8G DIN 931 M-10X60
18	149500	BICR.WASHER B DIN125-ST 10,5	ARAN.B DIN125-ST B.TRI.10,5	RONDELLE B DIN125-ST BICR.10,5
19	150649	SELFBLOCKING NUT DIN 985 M-10	TUER.AUTOB.DIN985-8 B.TRI.M10	ECROU AUTOBLOCANT DIN 985 M-10
20	327783	MOTEUR MT103-140/4 200/400V3KW (PULLEY INCLUDED)	MOTOR MT103-140/4 200/400V 3KW (INCLUYE POLEA)	MOTOR MT103-140/4 200/400V 3KW (COMPRIS POULIE)
	101907	BEARING 6306-2Z QE6 (COUPLING SIDE)	RODAMIENTO 6306-2Z QE6 (LADO ACOPLA)	ROULEMENT 6306-2Z QE6 (COTE COUPLAGE)
	186841	BEARING 6305-2Z (FAN SIDE)	RODAMIENTO 6305-2Z (LADO VENTILADOR)	ROULEMENT 6305-2Z (CÔTÈ VENTILATEUR)
24	320754	MOTOR PULLEY	POLEA MOTOR	MOTEUR POULIE
29	251124	EXTRACT MOTOR PLATE	PLACA MOTOR CENTRIFUGADO	PLAQUE MOTEUR ESSORAGE
31	191676	HEX SCREW 8G DIN933 M 8X 35	TOR.EX.DIN933-8.8 B.TRI.M 8X35	VIS HEX 8G DIN933 M 8X 35
32	251298	MOTOR PLATE FIXING	FIJACION PLACA MOTOR	FIXATION PLAQUE MOTEUR
33	146738	BI HEX SCREW DIN933-8.8 M14X45	TOR.EX.DIN933-8.8 B.TRI.M14X45	VIS HEX DIN933-8.8 BICR M14X45

Nº	REF	DENOMINATION	DENOMINACIÓN	DENOMINATION
34	149393	BICR WASHER B DIN125-ST 15	ARAN.B DIN125-ST B.TRI.15	RONDELLE B BICR DIN125-ST 15
35	164350	SELFBLOCKING NUT DIN-985 M-14	TUER.AUTOB.DIN985-8 B.TRI.M14	ECROU AUTOBLOCANT DIN985 M-14
36	163600	HEX SCREW 8G DIN-933 M-14X60	TOR.EX.DIN933-8.8 B.TRI.M14X60	VIS HEX 8G DIN-933 M-14X60
37	258715	TIGHTENER BOLT	BULON TENSOR	BOULON TENDEUR
38	258699	EXTRACT MOTOR TIGHTENER	TENSOR MOTOR CENTRIFUGADO	TENDEUR MOTEUR ESSORAGE
42	111278	WASHER 35X9X4	ARANDELA 35X9X4 TRIVALEN.	RONDELLE 35X9X4
48	139279	PLUG 280430	CONECTOR 280430	CONNECTEUR 280430
49	139261	PLUG 163007	CONECTOR 163007	CONNECTEUR 163007
50	243717	DRAIN BRACKET	SOPORTE DESAGÜE	SUPPORT VIDANGE
51	144964	INOX HEX SCREW DIN 933 M-8X16	TOR.EX.DIN933INOX A2-70 M 8X16	VIS HEX INOX DIN 933 M-8X16
52	149351	INOX A2 WASHER DIN 125 8,4	ARAN. DIN125 INOX A2 8,4	RONDELLE INOX A2 DIN 125 8,4
53	200337	MOTOR PROTECTION	PROTECCION MOTOR	PROTECTION MOTEUR
54	146233	BICR.HEX SCREW DIN933-8 M6X15	TOR.EX.DIN933-8.8 B.TRI.M 6X15	VIS HEX DIN933-8.8 BICR.M6X15
55	149526	BICR.WASHER B DIN125-ST 6,4	ARAN.B DIN125-ST B.TRI. 6,4	RONDELLE B DIN125-ST BICR.6,4
56	279885	CLAMP SUPPLEMENT	SUPLEMENTO BRIDA	SUPPLEMENT BRIDE
57	278853	WASHER 30X12,5X4	ARANDELA 30X12,5X4 TRIVALEN.	RONDELLE 30X12,5X4
58	150276	BICR HEX.NUT DIN934-8 M-16	TUER.EX.DIN934-8 B.TRI.M16	ECROU HEX.DIN934-8 BICR M-16
59	149385	BICR.WASHER B DIN125-ST 17	ARAN.B DIN125-ST B.TRI.17	RONDELLE B DIN125-ST BICR.17
60	173260	SELF-BLOCKING NUT DIN 985 M-16	TUER.AUTOBL.DIN985-8B.TRI.M16	ECROU AUTOBLOCANT DIN 985 M-16
61	191858	HEX. SCREW 8G DIN931 M10X90	TOR.EX.DIN931-8.8 B.TRI.M10X90	VIS HEX. 8G DIN931 M10X90
65	197046	MINISWITCH 83161.344 I W3	MINIRRUPTOR 83161.344 I W3	MINIRRUPTEUR 83161.344 I W3
66	281113	MICROSWITCH ISOLATION	AISLANTE MICRORRUPTOR	ISOLANT MICRORRUPTEUR
67	302554	CYL.BICR.SCREW DIN84-4.8 M3X25	TOR.CIL.DIN84-4.8 B.TRI.M 3X25	VIS.CYL DIN84-4.8 BICR M 3X25
68	149484	BICR.WASHER B DIN125-ST 3,2	ARAN.B DIN125-ST B.TRI. 3,2	RONDELLE B.DIN125-ST BICR. 3,2
69	149906	INOX. HEX. NUT DIN 934 M-3	TUER.EX.DIN934 INOX A2-70 M 3	ECROU HEX. INOX DIN934 M-3
70	175364	PLASTIC SEPARATOR 6MM SP78/10	SEPARADOR PLASTICO 6MM.SP78/10	SEPARATEUR PLASTIQUE 6MM
71	278077	MICROSWITCH DRIVE BRACKET	SOPRTE ACCIONADOR MINIRUPTOR	SUPPORT ACTIONNEMENT MICRORRUP
72	189407	MICROSWITCH DRIVE	ACCIONADOR MICRORRUPTOR	ACCIONNEMENT MICRORRUPTEUR

Nº	REF	DENOMINATION	DENOMINACIÓN	DENOMINATION
73	189399	MICROSWITCH DRIVE SPRING	MUELLE ACCIONADOR MICRORRUPTOR	RESSORT ACTIONNEMENT MICRORRUP
74	149534	BICR.WASHER B DIN125-ST 5,3	ARAN.B DIN125-ST BICR. 5,3	RONDELLE B BICR.DIN125-ST 5,3
75	147918	QUICK FIXING 211039-6	SUJEC.RAPIDA MIKALOR 211039-6	FIXATION RAPIDE 211039-6
76	146258	BIC.HEX SCREW DIN933-4.8 M4X10	TOR.EX.DIN933-4.8 B.TRI.M 4X10	VIS HEX DIN933-4.8 BICR.M 4X10
77	219758	INOX WASHER 12X4X1,5	ARANDELA 12X4X1.5 INOX	RONDELLE 12X4X1,5 INOX
78	406207	MICROSWITCH DRIVE END-PIECE	TOPE ACCIONADOR MICRORRUPTOR	ARRET ACTIONNEMENT MICRORRUPT.
79	283507	MICROSWITCH DRIVE END-PIECE	TOPE ACCIONADOR MICRORRUPTOR	ARRET ACTIONNEMENT MICRORRUPT.
81	115733	WASHER 16X7X3	ARANDELA 16X7X3 TRIVALEN.	RONDELLE 16X7X3
82	146266	BICR.HEX SCREW DIN933-8 M-4X15	TOR.EX.DIN933-4.8 B.TRI.M 4X15	VIS HEX BICR.DIN933-8.8 M-4X15
83	149476	BICR.WASHER B DIN125-ST 4,3	ARAN.B DIN125-ST B.TRI. 4,3	RONDELLE B DIN125-ST BICR.4,3
84	132043	SELFBLOCKING NUT DIN985 M 4	TUER.AUTOBL.DIN985-8 B.TRI.M 4	ECROU AUTOBLOCANT DIN985 M 4
85	278051	MICRO.DRIVE SLEEVE	CASQUILLO ACCIONADOR MICRO	FRETTE ACTIONNEMENT MICRO
86	134924	QUICK FIXING 211044-1	SUJEC.RAPIDA MIKALOR 211044-1	FIXATION RAPIDE 211044-1
87	320747	STAR TOLERANCE RING 0820-030-08	ANILLO TOLER.STAR 0820-030-08	BAGUE TOLERANCE STAR 0820-030-08

* 279844 (COMPLETE) SUSPENSION SET CONJUNTO SUSPENSION (COMPLETO) ENSEMBLE SUSPENSION (COMPLET)



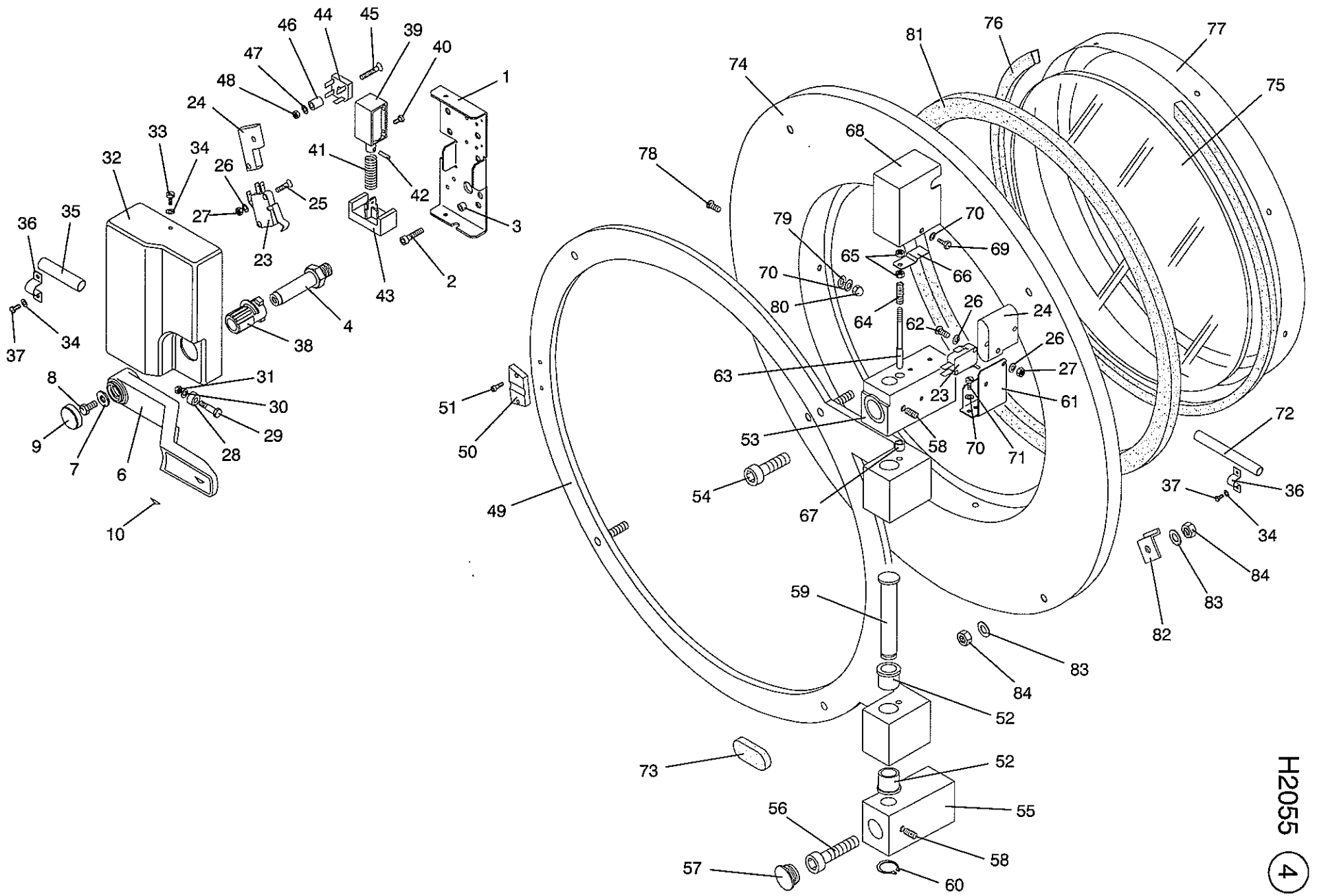
Nº	REF	DENOMINATION	DENOMINACIÓN	DENOMINATION
1	277772	RIGHT FRONT COVER (INOX)	TAPA FRONTAL DERECHA (INOX)	COUVERCLE FRONTAL DROIT (INOX)
	280701	RIGHT FRONT COVER (RED PAINTED)	TAPA FRONTAL DERECHA (PINTADA ROJA)	COUVERCLE FRONTAL DROIT (PEINTE ROUGE)
	280719	RIGHT FRONT COVER (GREY PAINTED)	TAPA FRONTAL DERECHA (PINTADA GRIS)	COUVERCLE FRONTAL DROIT (PEINTE GRIS)
2	277780	LEFT FRONT COVER (INOX)	TAPA FRONTAL IZQUIERDA (INOX)	COUVERCLE FRONTAL GAUCHE (INOX)
	280727	LEFT FRONT COVER (RED PAINTED)	TAPA FRONTAL IZQUIERDA (PINTADA ROJA)	COUVERCLE FRONTAL GAUCHE (PEINTE ROUGE)
	280735	LEFT FRONT COVER (GREY PAINTED)	TAPA FRONTAL IZQUIERDA (PINTADA GRIS)	COUVERCLE FRONTAL GAUCHE (PEINTE GRIS)
3	250555	FRONT SIDE COVER (INOX)	TAPA LATERAL ANTERIOR (INOX)	COUVERCLE LATERAL AVANT (INOX)
	280610	FRONT SIDE COVER (PAINTED)	TAPA LATERAL ANTERIOR (PINTADA)	COUVERCLE LATERAL AVANT (PEINT)
4	250548	REAR SIDE COVER (INOX)	TAPA LATERAL POSTERIOR (INOX)	COUVERCLE LATERAL ARRIERE (INOX)
	280628	REAR SIDE COVER (PAINTED)	TAPA LATERAL POSTERIOR (PINTADA)	COUVERCLE LATERAL ARRIERE (PEINT)
5	250571	REAR SIDE COVER (INOX)	TAPA LATERAL POSTERIOR (INOX)	COUVERCLE LATERAL ARRIERE (INOX)
	280636	REAR SIDE COVER (PAINTED)	TAPA LATERAL POSTERIOR (PINTADA)	COUVERCLE LATERAL ARRIERE (PEINT)
6	409946	UPPER COVER	TAPA SUPERIOR	COUVERCLE SUPERIEUR
7	408088	REAR COVER	TAPA POSTERIOR	COUVERCLE ARRIERE
8	277764	LOWER FRONT COVER	TAPA FRONTAL INFERIOR	COUVERCLE FRONTAL INFERIEUR
9	259838	SOCKET	ZOCALO	SOCLE
10	409896	UPPER FRAME	BASTIDOR SUPERIOR	BATI SUPERIEUR
11	410035	REAR PANEL	PANEL POSTERIOR	TABLEAU ARRIERE
12	250829	PROTECTION PROFILE	PERFIL PROTECCION	PROFILE PROTECTION
13	174581	TERMINAL RE. V-4 RIGHT	TERMINAL REF.V-4 DERECHA	TERMINAL REF.V-4 DROITE
14	174599	TERMINAL RE V-4 LEFT	TERMINAL REF.V-4 IZQUIERDA	TERMINAL REF V-4 GAUCHE
15	277756	LOWER COVER SUPPLEMENT	SUPLEMENTO TAPA INFERIOR	SUPPLEMENT COUVERCLE INFERIEUR

Nº	REF	DENOMINATION	DENOMINACIÓN	DENOMINATION
16	278689	LOWER FRONT PROFILE	PERFIL FRONTAL INFERIOR	PROFILE FRONTAL INFERIEUR
17	144881	INOX HEX SCREW DIN933 M 6X16	TOR.EX.DIN933INOX A2-70 M 6X16	VIS HEX INOX DIN933 M 6X16
18	149310	INOX.A2 WASHER DIN125 6,4	ARAN. DIN125 INOX A2 6,4	RONDELLE INOX.A2 DIN125 6,4
19	250696	UPPER COVER END-PIECE	TOPE TAPA SUPERIOR	ARRET COUVERCLE SUPERIEUR
20	165613	CAGED NUT M-6 2,6-3,5	TUER.ENJ.M6 2,6-3,5 R.310009-5	ECROU ENCAGE M-6 2,6-3,5
21	165019	CAGED NUT M-6 0,5-1,5 R.310007-9	TUER.ENJ.M6 0,5-1,5 R.310007-9	ECROU PRESIONER M-6 0,5-1,5 R.310007-9
22	115758	WASHER 20X7X2	ARANDELA 20X7X2 INOX	RONDELLE 20X7X2
23	144907	INOX HEX SCREW DIN 933 M-6X10	TOR.EX.DIN933INOX A2-70 M 6X10	VIS HEX INOX DIN 933 M-6X10
24	149310	INOX.A2 WASHER DIN125 6,4	ARAN. DIN125 INOX A2 6,4	RONDELLE INOX.A2 DIN125 6,4
25	277194	FRONT COVER	TAPA FRONTAL	COUVERCLE FRONTAL
26	277186	FRONT PLATE	PLACA FRONTAL	PLAQUE FRONTAL
27	144964	INOX HEX SCREW DIN 933 M-8X16	TOR.EX.DIN933INOX A2-70 M 8X16	VIS HEX INOX DIN 933 M-8X16
28	149351	INOX A2 WASHER DIN 125 8,4	ARAN. DIN125 INOX A2 8,4	RONDELLE INOX A2 DIN 125 8,4
29	165472	ETHILENE-PROP. PROFILE (1 METER)	PERFIL ETILENO-PROP.REF.44117L (1 METRO)	PROFILE ETHILENE-PROP. (1 METRE)
30	122077	HEX SCREW 8G DIN-931 M14X65	TOR.EX.DIN931-8.8 B.TRI.M14X65	VIS HEX 8G DIN-931 M14X65
31	149393	BICR WASHER B DIN125-ST 15	ARAN.B DIN125-ST B.TRI.15	RONDELLE B BICR DIN125-ST 15
32	258582	OUTER-DRUM FRONT CROWN	CORONA FRONTAL ENVOLVENTE	COURONNE FRONTAL CUVE
33	250423	OUTER-DRUM FRONT	FRONTAL ENVOLVENTE	FRONTAL CUVE
34	258558	OUTER-DRUM FIXING RING	ARO FIJACION ENVOLVENTE	BAGUE FIXATION CUVE
35	175703	HEX SCREW 8G DIN 931 M-14X100	TOR.EX.DIN931-8.8B.TRI.M14X100	VIS HEX 8G DIN 931 M-14X100
36	164350	SELFBLOCKING NUT DIN-985 M-14	TUER.AUTOB.DIN985-8 B.TRI.M14	ECROU AUTOBLOCANT DIN985 M-14
37	409953	OUTER-DRUM	ENVOLVENTE	CUVE
38	258590	REAR PLATE	PLACA POSTERIOR	PLAQUE POSTERIEUR
39	147017	BICR.HEX SCREW DIN933-8 M10X40	TOR.EX.DIN933-8.8 B.TRI.M10X40	VIS HEX DIN933-8,8 BICR.M10X40
40	149500	BICR.WASHER B DIN125-ST 10,5	ARAN.B DIN125-ST B.TRI.10,5	RONDELLE B DIN125-ST BICR.10,5
41	150649	SELFBLOCKING NUT DIN 985 M-10	TUER.AUTOB.DIN985-8 B.TRI.M10	ECROU AUTOBLOCANT DIN 985 M-10
42	250498	LOADING HOOK	GANCHO DE CARGA	CROCHET DE CHARGEMENT
43	175679	HEX SCREW 8G DIN 933 M-10X 45	TOR.EX.DIN933-8.8 B.TRI.M10X45	VIS HEX 8G DIN 933 M-10X 45

Nº	REF	DENOMINATION	DENOMINACIÓN	DENOMINATION
44	164202	INOX HEX SCREW DIN933 M-10X25	TOR.EX.DIN933INOX A2-70 M10X25	VIS HEX INOX DIN933 M-10X25
45	175273	USIT GASKET TYPE UA 16X10X1,5	JUNTA USIT TIPO UA 16X10X1,5	JOINT USIT TYPE UA 16X10X1,5
46	144931	INOX HEX SCREW DIN933 M10X20	TOR.EX.DIN933INOX A2-70 M10X20	VIS HEX INOX DIN933 M10X20
47	277350	LOWER REAR COVER	TAPA POSTERIOR INFERIOR	COUVERCLE ARRIERE INFERIEUR
48	277988	LEFT FRONT COVER PROTECTION (INOX)	PROTEC.TAPA FRONTAL IZQUIERDA (INOX)	PROTECT.COUVERCLE FRONT.GAUCHE (INOX)
	280743	LEFT FRONT COVER PROTECTION (RED PAINTED)	PROTEC.TAPA FRONTAL IZQUIERDA (PINTADA ROJA)	PROTECT.COUVERCLE FRON.GAUCHE (PEINTE ROUGE)
	280750	LEFT FRONT COVER PROTECTION (GREY PAINTED)	PROTEC.TAPA FRONTAL IZQUIERDA (PINTADA GRIS)	PROTECT.COUVERCLE FRONT.GAUCHE (PEINTE GRIS)
49	151878	RIVET POP TLP/D/636/BS4,8X 9,1	REMA.POP TLP/D/636/BS 4,8X 9,1	RIVET TLP/D/636/BS 4,8X 9,1
54	250530	REAR PLATE ANGLE	ANGULO PLACA POSTERIOR	ANGLE PLAQUE ARRIERE
55	182204	HEX SCREW 8G DIN931 M12X70	TOR.EX.DIN931-8.8 B.TRI.M12X70	VIS HEX 8G DIN931 M12X70
56	110726	WASHER	ARANDELA 34X13X4 TRIVALEN.	RONDELLE
57	150656	SELFBLOCKING NUT DIN985 M-12	TUER.AUTOB.DIN985-8 B.TRI.M12	ECROU AUTOBLOCANT DIN985 M-12
58	116764	HEX SCREW 8G DIN933 M-12X25	TOR.EX.DIN933-8.8 B.TRI.M12X25	VIS HEX. 8G DIN933 M-12X25
60	250803	PRESSOSTAT HOSE BRACKET	SOPORTE TUBO PRESOSTATO	SUPPORT TUBE PRESSOSTAT
61	140525	CLAMP 2244-0	BRIDA UNEX 2244-0 *	BRIDE 2244-0
62	278655	RIGHT FRONT PROFILE	PERFIL FRONTAL DERECHA	PROFILE FRONTAL DROIT
63	278663	LEFT FRONT PROFILE	PERFIL FRONTAL IZQUIERDA	PROFILE FRONTAL GAUCHE
65	219543	ANTI-VIBRATION PIECE	PIEZA ANTI-VIBRACION	PIECE ANTI-VIBRATION
67	409987	OUTER-DRUM BOTTOM PLATE	FONDO ENVOLVENTE	FOND CUVE
68	258566	OUTER DRUM SEMI-RING	SEMI-ARO ENVOLVENTE	SEMI-BAGUE CUVE
69	160101	THERMOSTAT INTAKE STOPPER	TAPON TOMA TERMOSTATO	BOUCHON PRISE THERMOSTAT
70	175737	HEX SCREW 8G DIN 931 M-10X80	TOR.EX.DIN931-8.8 B.TRI.M10X80	VIS HEX 8G DIN 931 M-10X80
73	193862	NTC RESISTANCE 2381 640 90042	RESISTENCIA NTC 2381 640 90042	RESISTANCE NTC 2381 640 90042
74	256149	SENSOR SHEATH LODGING	PASAMUROS SENSOR	LOGEMENT SENSEUR
75	149419	BICR.WASHER B DIN125-ST 13	ARAN.B DIN125-ST B.TRI.13	RONDELLE B DIN125-ST BICR.13
76	409375	PROTECTION SCREEN	PANTALLA PROTECCION	ECRAN PROTECTION
77	183400	CYL.PLATE SCREW ST-4 20 C/AL	TOR.CHAPA ST-4 20 C/AL.T25	VIS PLAQUE CYL.ST-4 20 C/AL

N°	REF	DENOMINATION	DENOMINACIÓN	DENOMINATION
78	192021	PROFILE	ENCUADERNADOR P (NEGRO) 2MT.	PROFILE

N°	REF	DENOMINATION	DENOMINACIÓN	DENOMINATION
		FROM MACHINE Nr: 1.302.097	A PARTIR DE LA MAQUINA No : 1.302.097	A PARTIR DE LA MACHINE NR: 1.302.097
1	445791	RIGHT FRONT COVER (PRE-COATED)	TAPA FRONTAL DERECHA (PRE-COATED)	COUVERCLE FRONTAL DROIT (PRE-COATED)
2	445809	LEFT FRONT COVER (PRE-COATED)	TAPA FRONTAL IZQUIERDA (PRE-COATED)	COUVERCLE FRONTAL GAUCHE (PRE-COATED)
3	445817	FRONT SIDE COVER (PRE-COATED)	TAPA LATERAL ANTERIOR (PRE-COATED)	COUVERCLE LATERAL AVANT (PRE-COATED)
4	445833	REAR SIDE COVER (PRE-COATED)	TAPA LATERAL POSTERIOR (PRE-COATED)	COUVERCLE LATERAL ARRIERE (PRE-COATED)
5	445825	REAR SIDE COVER (PRE-COATED)	TAPA LATERAL POSTERIOR (PRE-COATED)	COUVERCLE LATERAL ARRIERE (PRE-COATED)
48	446427	LEFT FRONT COVER PROTECTION (PRE-COATED)	PROTEC. TAPA FRONTAL IZQUIERDA (PRE-COATED)	PROTEC. COUVERCLE FRONT.GAUCHE (PRE-COATED)



U.15515

H2055 4

Nº	REF	DENOMINATION	DENOMINACIÓN	DENOMINATION
1	276469	SAFETY LOCK BRACKET	SOPORTE CIERRE SEGURIDAD	SUPPORT FERMETURE DE SECURITE
2	144352	ALLEN SCREW DIN912 M-6X25	TOR.ALLDIN912-8.8 B.TRI.M 6X25	VIS ALLEN DIN912 M-6X25
3	276527	LOCK END-PIECE	TOPE CIERRE	ARRET FERMETURE
4	276485	LOCK SHAFT	EJE CIERRE	AXE FERMETURE
6	199257	KNOB	EMPUÑADURA	POIGNEE
7	115733	WASHER 16X7X3	ARANDELA 16X7X3 TRIVALEN.	RONDELLE 16X7X3
8	165621	BIC HEX SCREW DIN933-8,8 M6X10	TOR.EX.DIN933-8.8 B.TRI.M 6X10	VIS HEX DIN933-8,8 BICR M6X10
9	189993	KNOB STOPPER	TAPON EMPUÑADURA	BOUCHON POIGNEE
10	193599	KNOB PLATE	PLACA EMPUÑADURA	PLAQUE POIGNEE
23	279760	MICROSWITCH	MINIRRUPTOR	MICRORRUPTEUR
24	281113	MICROSWITCH ISOLATION	AISLANTE MICRORRUPTOR	ISOLANT MICRORRUPTEUR
25	303131	BICR.SCREW DIN963-4.8 M 3X 20	TOR.AV.DIN963-4.8B.TRI. M 3X20	VIS.T/FRAIS DIN963-4.8 B.M3X20
26	149484	BICR.WASHER B DIN125-ST 3,2	ARAN.B DIN125-ST B.TRI. 3,2	RONDELLE B.DIN125-ST BICR. 3,2
27	149906	INOX. HEX. NUT DIN 934 M-3	TUER.EX.DIN934 INOX A2-70 M 3	ECROU HEX. INOX DIN934 M-3
28	276519	KNOB ROLL	RODILLO EMPUÑADURA	ROULEAU POIGNEE
29	276477	KNOB BOLT	BULON EMPUÑADURA	BOULON POIGNEE
30	149526	BICR.WASHER B DIN125-ST 6,4	ARAN.B DIN125-ST B.TRI. 6,4	RONDELLE B DIN125-ST BICR.6,4
31	176834	SELFBLOCKING NUT DIN985 M-6	TUER.AUTOBL.DIN985-8 B.TRI.M6	ECROU AUTOBLOCANT DIN985 M-6
32	199307	SAFETY LOCK BOX	CAJA CIERRE SEGURIDAD	BOITE FERMETURE SECURITE
33	300632	INOX A2-70 SCREW DIN85 M5X 8	TOR.PLA.DIN85 INOX A2-70 M5X 8	VIS DIN85 INOX A2-70 M5X 8
34	149369	INOX A2 WASHER DIN 125 5,3	lsARAN. DIN125 INOX A2 5,3	RONDELLE INOX A2 DIN 125 5,3
35	278028	WIRE PROTECTION HOSE	TUBO PROTECCION CABLES	TUBE PROTECTION CABLES
36	276824	WIRE PROTECTION CLAMP	BRIDA PROTECCION CABLES	BRIDE PROTECTION CABLES
37	144774	INOX HEX SCREW DIN 933 M-5X10	TOR.EX.DIN933INOX A2-70 M 5X10	VIS HEX INOX DIN 933 M-5X10
38	283689	LOCK KNOB JOINTING	UNION EMPUÑADURA CIERRE	UNION POIGNEE FERMETURE
39	283697	SAFETY LOCK COIL	BOBINA CIERRE SEGURIDAD	BOBINE FERMETURE SECURITE
40	147561	SCREW DIN963-4.8 M 3X 7	TOR.AV.DIN963-4.8 B.TRI.M 3X 7	VIS DIN963-4.8 BICR M 3X 7
41	300665	COIL SPRING	MUELLE BOBINA	RESSORT BOBINE

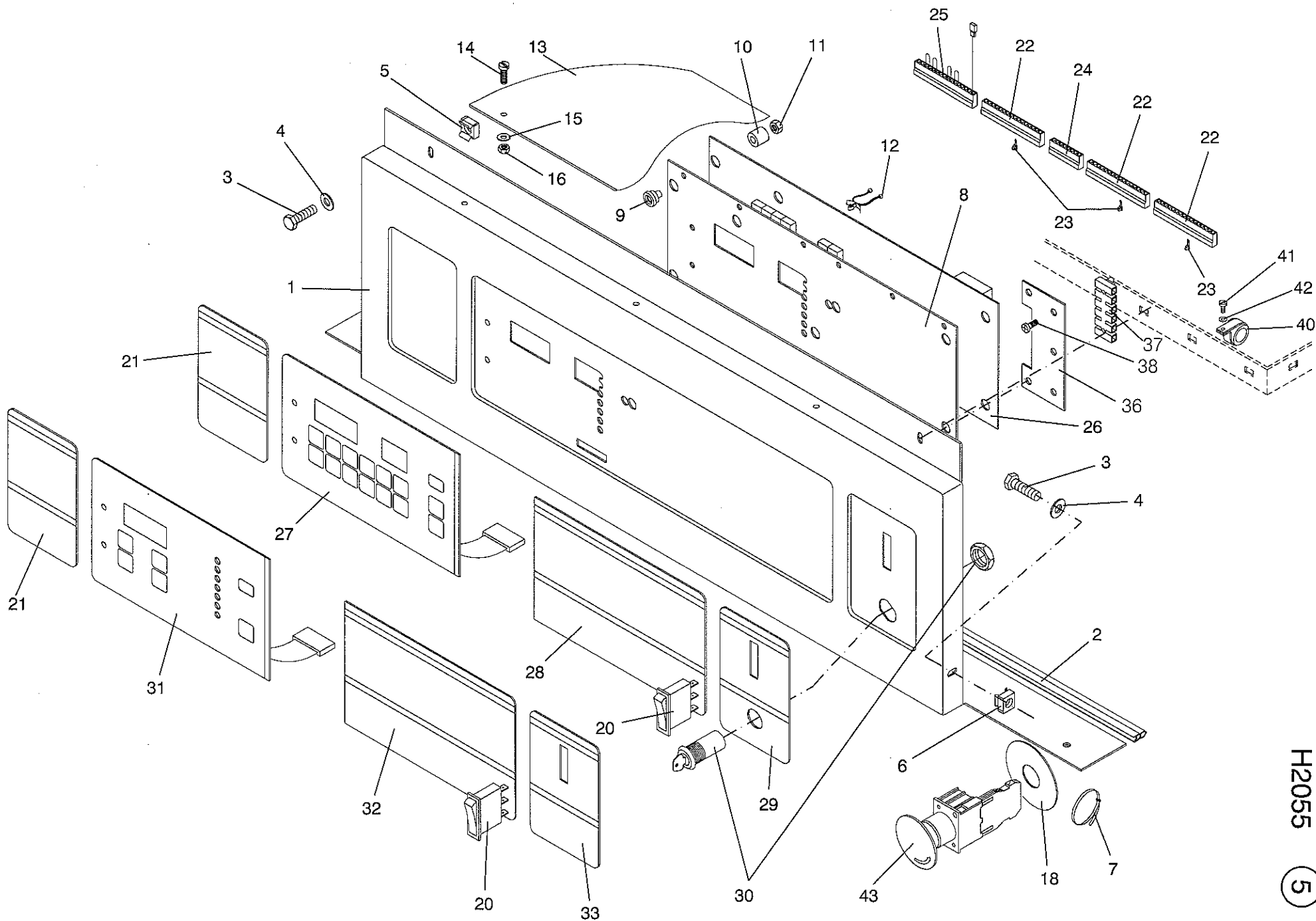
Nº	REF	DENOMINATION	DENOMINACIÓN	DENOMINATION
42	150698	FLEXIBLE PIN DIN1481 D3X10	PASADOR ELASTICO DIN1481 D3X10	GOUJON ELASTIQUE DIN1481 D3X10
43	276402	SLIDING BLOCKER	BLOQUEADOR DESLIZANTE	BLOQUEUR COULISSANT
44	175224	RECTIFIER BRIDGE FB1010	PUENTE RECTIFIC.FAGOR FB1010 *	PONT RECTIFIEUR FB1010
45	199240	BICR.SCREW DIN963-4.8 M4X30	TOR.AV.DIN963-4.8 B.TRI M 4X30	VIS T/FRAIS.DIN963-4 BIC.M4X30
46	300467	CYLINDER SEPARATOR SS10-4 CPVC	SEPARADOR CILINDR.SS10-4 CPVC	SEPARATEUR CYLINDR.SS10-4 CPVC
47	149476	BICR.WASHER B DIN125-ST 4,3	ARAN.B DIN125-ST B.TRI. 4,3	RONDELLE B DIN125-ST BICR.4,3
48	150185	BICR.HEX.NUT DIN934-8 M4	TUER.EX.DIN934-8 B.TRI.M 4	ECROU HEX.DIN934-8 BICR.M4
49	282988	DOOR RING	ARO ESCOTILLA	BAGUE HUBLOT
50	199323	DOOR LOCK PIECE	PIEZA CIERRE SEGURIDAD	PIECE FERMETURE HUBLOT
51	144279	ALLEN SCREW DIN 912 M-5X15	TOR.ALLDIN912-8.8 B.TRI.M 5X15	VIS ALLEN DIN 912 M-5X15
52	116723	SELFOIL SLEEVE B11B14-20-20/25	COJ. SELFOIL B11B14-20-20/25-3	FRETTE SELFOIL B11B14-20-20/25
53	277228	HINGE	BISAGRA	CHARNIERE
54	300590	ALLEN SCREW DIN912-8.8B.M14X45	TOR.ALLDIN912-8.8 B.TRI.M14X45	VIS ALLEN DIN912-8.8 B.M14X 45
55	259945	HINGE	BISAGRA	CHARNIERE
56	144543	ALLEN SCREW DIN912 M14X50	TOR.ALLDIN912-8.8 B.TRI.M14X50	VIS ALLEN DIN912 M14X50
57	122515	CONICAL END-PIECE FIG.26 D25	TOPE CONICO FIG.26 D25	ARRET CONIQUE FIG. 26 D25
58	175778	ALLEN BUMP DIN 916 M-8X15	ESP.ALL.DIN916-10.9 M 8X15	GOUJON ALLEN DIN 916 M-8X15
59	250522	DOOR BOLT	BULON ESCOTILLA	BOULON HUBLOT
60	115949	FLEXIBLE RING E-14 DIN 471	ANILLO ELASTICO E-14 DIN 471	BAGUE ELASTIQUE E-14 DIN 471
61	276857	MICROSWITCH BRACKET	SOPORTE MICRORRUPTOR	SUPPORT MICRORRUPTEUR
62	146043	BIC CYL SCREW DIN84-4,8 M3X16	TOR.CIL.DIN84-4.8 B.TRI.M 3X16	VIS CYL DIN84-4,8 BICR.M3X16
63	276865	MICROSWITCH DRIVE BOLT	PERNO ACCIONADOR MICRORRUPTOR	GOUJON ACTIONNEMENT MICRORRUP.
64	198069	SPRING	MUELLE COMPENSADOR	RESSORT
65	149922	INOX HEX. NUT DIN 934 M-4	TUER.EX.DIN934 INOX A2-70 M 4	ECROU HEX. INOX DIN 934 M-4
66	276873	MICROSWITCH DRIVE	ACCIONADOR MICRORRUPTOR	ACTIONNEMENT MICRORRUPTEUR
67	276840	GUIDE SLEEVE	CASQUILLO GUIA	FRETTE GUIDE
68	276915	PROTECTION COVER	TAPA PROTECCION	COUVERCLE PROTECTION
69	144832	INOX.HEX.SCREW DIN 933 M-4X10	TOR.EX.DIN933INOX A2-70 M 4X10	VIS HEX INOX. DIN 933 M-4X10

Nº	REF	DENOMINATION	DENOMINACIÓN	DENOMINATION
70	149328	INOX A2 WASHER DIN 125 4,3	ARAN. DIN125 INOX A2 4,3	RONDELLE INOX A2 DIN 125 4,3
71	145664	INOX FLAT SCREW DIN85 M 4X8	TOR.PLA.DIN85 INOX A2-70 M4X 8	VIS PLAT INOX DIN85 M 4X8
72	276832	WIRE PROTECTION HOSE	TUBO PROTECCION CABLES	TUBE PROTECTION CABLES
73	200212	DOOR END-PIECE	TOPE ESCOTILLA	ARRET HUBLOT
74	249789	* DOOR RING	ARO ESCOTILLA	BAGUE HUBLOT
75	117226	GLASS SPYHOLE D370X5	MIRILLA CRISTAL D370+-1,5X5 *	VITRE D370X5
76	116756	A PROFILE NEOPRENE WHITE	PERFIL A EPDM BLANCO 1165MM.	PROFILE A NEOPRENE BLANC
77	249797	OUTER RING	ARO EXTERIOR	BAGUE EXTERIEUR
78	145664	INOX FLAT SCREW DIN85 M 4X8	TOR.PLA.DIN85 INOX A2-70 M4X 8	VIS PLAT INOX DIN85 M 4X8
79	116129	SCREW GASKET	JUNTA TORNILLO	JOINT VIS
80	150151	INOX BLIND NUT DIN 1587 M-4	TUERCA CIE. INOX LAR.DIN1587M 4	ECROU AVEUGLE INOX DIN 1587 M4
81	118059	DOOR GASKET	JUNTA ESCOTILLA	JOINT HUBLOT
82	250720	DOOR GASKET CLIP	GRAPA JUNTA ESCOTILLA	CLIP JOINT HUBLOT
83	149351	INOX A2 WASHER DIN 125 8,4	ARAN. DIN125 INOX A2 8,4	RONDELLE INOX A2 DIN 125 8,4
84	149963	INOX HEX NUT DIN 934 M-8	TUER.EX.DIN934 INOX A2-70 M 8	ECROU HEX. INOX DIN 934 M-8

* 249771 COMPLETE DOOR

ESCOTILLA COMPLETA

HUBLOT COMPLET



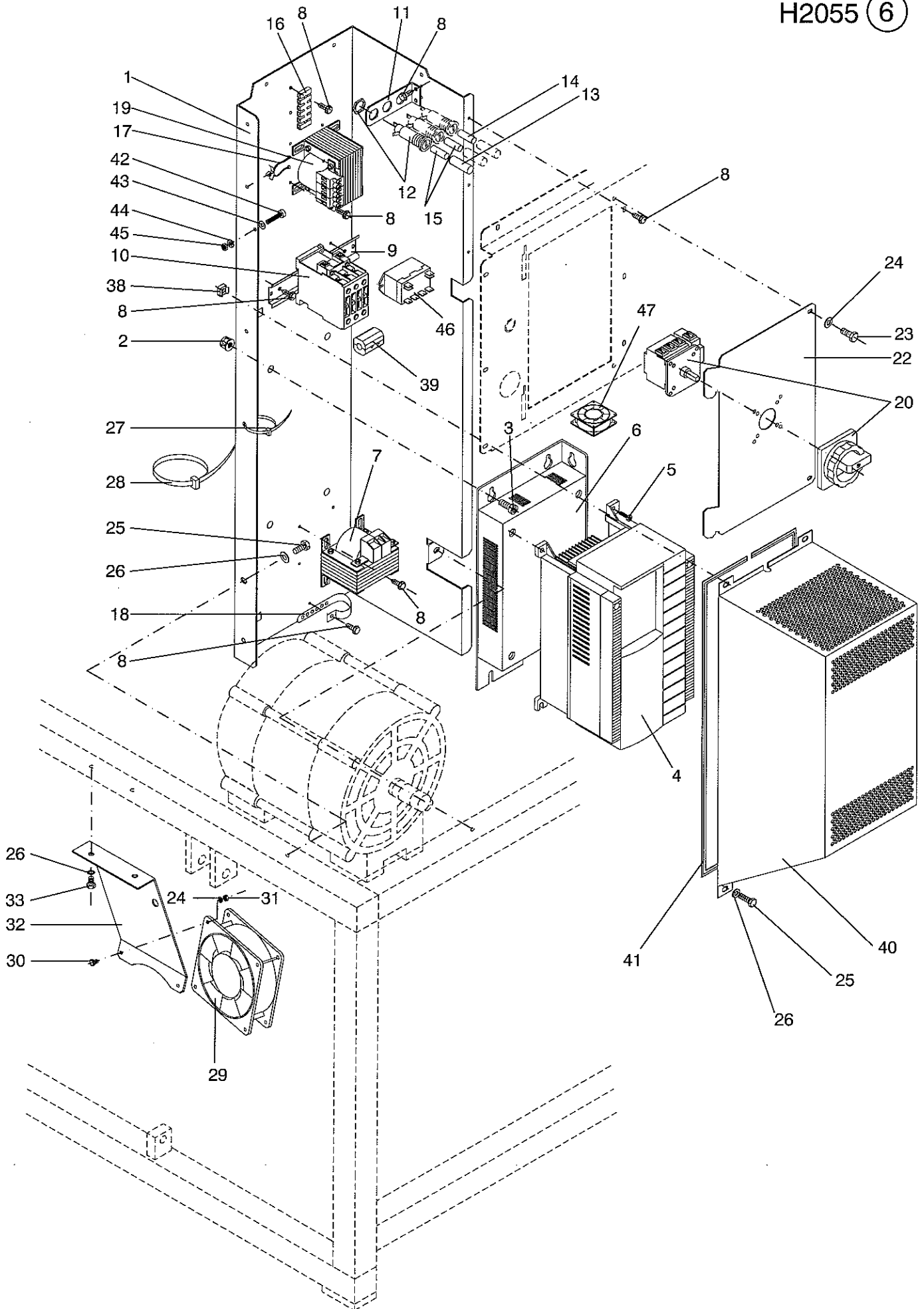
Nº	REF	DENOMINATION	DENOMINACIÓN	DENOMINATION
1	260513	CONTROL PANEL	PANEL DE MANDOS	TABLEAU COMMANDES
2	278671	CONTROL PANEL PROFILE	PERFIL PANEL DE MANDOS	PROFILE TABLEAU DE COMMANDES
3	144881	INOX HEX SCREW DIN933 M 6X16	TOR.EX.DIN933INOX A2-70 M 6X16	VIS HEX INOX DIN933 M 6X16
4	149310	INOX.A2 WASHER DIN125 6,4	ARAN. DIN125 INOX A2 6,4	RONDELLE INOX.A2 DIN125 6,4
5	165613	CAGED NUT M-6 2,6-3,5	TUER.ENJ.M6 2,6-3,5 R.310009-5	ECROU ENCAGE M-6 2,6-3,5
6	165019	CAGED NUT M-6 0,5-1,5 R.310007-9	TUER.ENJ.M6 0,5-1,5 R.310007-9	ECROU PRESIONER M-6 0,5-1,5 R.310007-9
7	140525	CLAMP 2244-0	BRIDA UNEX 2244-0 *	BRIDE 2244-0
8	278317	PROCESSOR ISOLATOR	AISLANTE MICROPROCESADOR	ISOLANT MICROPROCESSEUR
9	277392	PLATE-CONTROL SEPARATOR	SEPARADOR PANEL-PLACA	SEPARATEUR TABLEAU-PLAQUE
10	277400	NUT-PLATE SEPARATOR	SEPARADOR PLACA-TUERCA	SEPARATEUR PLAQUE-ECROU
11	150185	BICR.HEX.NUT DIN934-8 M4	TUER.EX.DIN934-8 B.TRI.M 4	ECROU HEX.DIN934-8 BICR.M4
12	199893	CLAMP STL-450-3-01	ABRAZADERA STL-3N-450	BRIDE STL-450-3-01
13	258277	PROCESSOR BOARD LID	TAPA PLACA MICROPROCESADOR	COUVERCLE PLAQ.MICROPROCESSEUR
14	145649	INOX FLAT SCREW DIN85 M 4X10	TOR.PLA.DIN85 INOX A2-70 M4X10	VIS PLAT INOX DIN85 M-4X10 A2
15	219758	INOX WASHER 12X4X1,5	ARANDELA 12X4X1.5 INOX	RONDELLE 12X4X1,5 INOX
16	132043	SELFBLOCKING NUT DIN985 M 4	TUER.AUTOBL.DIN985-8 B.TRI.M 4	ECROU AUTOBLOCANT DIN985 M 4
17	192310	MUSHROOM PUSH-BUTTON	PUL.HONGO ENCL.3SB10 (341529)	PULSATEUR TYPE COUP DE POING
18	192294	YELLOW RING	ARO AMARILLO	BAGUE JAUNE
19	197343	CONNECTION ELEMENT 3SB13 20-0A	ELEMENTO CONEXION 3SB13 20-0A	ELEMENT CONNEXION 3SB13 20-0A
20	300780	SWITCH C1500AL AAG WHITE	INTERRUPTOR C1500AL AAG	INTERRUPTEUR C1500AL AAG BLANC
21	304030	ENGLISH CONT.SAFETY INS.PLATE (FOR USA AND CANADA ONLY)	PLACA INSTR.SEGURIDAD CONT. (SOLO PARA USA Y CANADA)	PLAQUE INSTR.SECUR.CONTINENTAL (SEULEMENT POUR USA ET CANADA)
	301069	ENGLISH SAFETY INSTR.PLATE (EXCEPT FOR USA AND CANADA)	PLACA INSTR.SEGURIDAD IN. (EXCEPTO PARA USA Y CANADA)	PLAQUE INSTR.SECURITE ANGLAIS (SAUF POUR USA ET CANADA)
	301077	SPANISH SAFETY INSTR.PLATE	PLACA INSTR.SEGURIDAD ES.	PLAQUE INSTR.SECURITE ESPAGNOL
	301085	FRENCH SAFETY INSTR.PLATE	PLACA INSTR.SEGURIDAD FR.	PLAQUE INSTR.SECURITE FRANCAIS
22	197301	PROTECTOR AMP-UNYT 1-640029-6	PROTECTOR AMP-UNYT 1-640029-6	PROTECTEUR AMP-UNYT 1-640029-6
23	197426	POLARIZATION AMP 640180-1	POSICIONADOR AMP 640180-1	POLARIZATION AMP 640180-1
24	199810	PROTECTOR AMP-UNYT 640029-8	PROTECTOR AMP-UNYT 640029-8	PROTECTEUR AMP-UNYT 640029-8

N°	REF	DENOMINATION	DENOMINACIÓN	DENOMINATION
25	279190	IDENTIFICATION PLUG (FOR PM)	CONECTORA IDENTIFICACION (PARA PM)	CONNECTEUR IDENTIFICATION (POUR PM)
	279182	IDENTIFICATION PLUG (FOR SM)	CONECTORA IDENTIFICACION (PARA SM)	CONNECTEUR IDENTIFICATION (POUR SM)
26	318170	MICROPROCESSOR BOARD PM (FOR PM)	PLACA MICROP. REC. PM VR (PARA PM)	PLAQUE MICROPROCESSEUR PM (POUR PM)
	318162	MICROPROCESSOR BOARD SM/CM (FOR SM)	PLACA MICROP.REC. SM/CM VR (PARA SM)	PLAQUE MICROPROCESSEUR SM/CM (POUR SM)
	320655	WASHER-EXTRACTOR EPROM PM4 VER.- (FOR PM)	EPROM LAVADORAS PM4 VER.- (PARA PM)	EPROM LAVEUSES PM4 VER.- (POUR PM)
	320663	WASHER-EXTRACTOR EPROM SM4/CM4 (FOR SM)	EPROM LAVADORAS SM4/CM4 VER.- (PARA SM)	EPROM LAVEUSES SM4/CM4 VER01 (POUR SM)
	187195	RAM ZERO POWER MK48Z08-10 (FOR PM)	RAM ZERO POWER MK48Z08-10 (PARA PM)	RAM ZERO POWER MK48Z08-10 (POUR PM)
	303933	EEPROM ST24C04 (FOR SM)	EEPROM ST24C04 (PARA SM)	EEPROM ST24C04 (POUR SM)
	187203	INPUT OPTOISOLATOR 4N35	OPTOACOPLADOR ENTRADA 4N35	OPTOISOLATOR ENTREE 4N35
	187211	OUTPUT OPTOISOLATOR	OPTOACOPLADOR SALIDA	OPTOISOLATOR SORTIE
	188003	DISPLAY TDSR 5160	DISPLAY TDSR 5160	DISPLAY TDSR 5160
27	300673	WASHER KEYBOARD PM (FOR PM)	TECLADO LAVADORA PM (PARA PM)	CLAVIER LAVEUSE PM (POUR PM)
28	303982	CONTINENTAL OPERAT.INSTR.PLATE (FOR PM) (FOR USA AND CANADA ONLY)	PLACA INSTR. FUNCION CONTINENT (PARA PM) (SOLO PARA USA Y CANADA)	PLAQUE INSTR.FONCT.CONTINENTAL (POUR PM) (SEULEMENT POUR USA ET CANADA)
	301440	ENGLISH OPERATION INSTR.PLATE (FOR PM) (EXCEPT FOR USA AND CANADA)	PLACA INSTR.FUNCION. IN. (PARA PM) (EXCEPTO PARA USA Y CANADA)	PLAQUE INSTR.FONCTION ANGLAIS (POUR PM) (SAUF POUR USA ET CANADA)
	301457	SPANISH OPERATION INSTR.PLATE (FOR PM)	PLACA INSTR.FUNCION. ES. (PARA PM)	PLAQUE INSTR.FONCTION ESPAGNOL (POUR PM)
	301465	FRENCH OPERATION INSTR.PLATE (FOR PM)	PLACA INSTR.FUNCION. FR. (PARA PM)	PLAQUE INSTR.FONCTION FRANCAIS (POUR PM)
29	304097	GENERAL CONTROL PLATE (FOR PM) (FOR USA AND CANADA ONLY)	PLACA MANDOS GENERALES (PARA PM) (SOLO PARA USA Y CANADA)	PLAQUE COMMANDES GENERALES (POUR PM) (SEULEMENT POUR USA ET CANADA)
	301994	GENERAL CONTROL PLATE (FOR PM) (EXCEPT FOR USA AND CANADA)	PLACA MANDOS GENERALES (PARA PM) (EXCEPTO PARA USA Y CANADA)	PLAQUE COMMANDES GENERALES (POUR PM) (SAUF POUR USA ET CANADA)

N°	REF	DENOMINATION	DENOMINACIÓN	DENOMINATION
30	410522	FUNCTION SWITCH (FOR PM)	256230 CONMUTADOR FUNCIONES (PARA PM)	COMMUTATEUR FONCTIONS (POUR PM)
31	300699	WASHER KEYBOARD SM (FOR SM)	TECLADO LAVADORA SM (PARA SM)	CLAVIER LAVEUSE SM (POUR SM)
32	303974	CONTINENTAL OPERAT. INSTR. PLATE (FOR SM) (FOR USA AND CANADA ONLY)	PLACA INSTR. FUNCION CONTINENT (PARA SM) (SOLO PARA USA Y CANADA)	PLAQUE INSTR.FONCT.CONTINENTAL (POUR SM) (SEULEMENT POUR USA ET CANADA)
	301192	ENGLISH OPERATION INSTR. PLATE (FOR SM) (EXCEPT FOR USA AND CANADA)	PLACA INSTR.FUNCION. IN. (PARA SM) (EXCEPTO PARA USA Y CANADA)	PLAQUE INSTR.FONCTION ANGLAIS (POUR SM) (SAUF POUR USA ET CANADA)
	301200	SPANISH OPEARATION INSTR. PLATE	PLACA INSTR.FUNCION. ES.	PLAQUE INST.FONCTION ESPAGNOL
	301218	FRENCH OPERATION INSTR. PLATE	PLACA INSTR.FUNCION. FR.	PLAQUE INSTR.FONCTION FRANCAIS
33	304089	START-STOP PLATE (FOR SM) (FOR USA AND CANADA ONLY)	PLACA MARCHA-PARO (PARA SM) (SOLO PARA USA Y CANADA)	PLAQUE MARCHE-ARRET (POUR SM) (SEULEMENT POUR USA ET CANADA)
	301986	START-STOP PLATE (FOR SM) (EXCEPT FOR USA AND CANADA)	PLACA MARCHA PARO (PARA SM) (EXCEPTO PARA USA Y CANADA)	PLAQUE MARCHE-ARRET (POUR SM) (SAUF POUR USA ET CANADA)
36	406280	CONNECTION-BOARD BASE	BASE REGLETA	BASE REGLETTE
37	318147	CONNECTION-BOARD PA-239L WP (12 UNITS)	REGLETA PA-239L/12POLOS WP (12 ELEMENTOS)	REGLETTE PA-239L/12POLES WP (12 UNITÉS)
38	166835	SCREW CELO RF81T 3,5X12	TOR.CELO RF81T 3,5X12	VIS CELO RF81T 3,5X12
40	321174	FERRITE SPLIT TRCN-28-16-20	FERRITA SPLIT TRCN-28-16-20	FERRITE SPLIT TRCN-28-16-20
41	146175	BICR CYL SCREW DIN84-4 M-5X10	TOR.CIL.DIN84-4.8 B.TRI.M 5X10	VIS CYL BICR DIN84-4.8.M-5X10
42	149534	BICR.WASHER B DIN125-ST 5,3	ARAN.B DIN125-ST BICR. 5,3	RONDELLE B BICR.DIN125-ST 5,3

N°	REF	DENOMINATION	DENOMINACIÓN	DENOMINATION
		FROM MACHINE Nr:	A PARTIR DE LA MAQUINA No :	A PARTIR DE LA MACHINE NR:
		1.300.428	1.300.428	1.300.428
17	192310	CANCELLED	ANULADO	ANNULE
19	197343	CANCELLED	ANULADO	ANNULE
43	341529	EMERGENCY STOP LC	PARO EMERGENCIA LC	ARRET EMERGENCE LC

N°	REF	DENOMINATION	DENOMINACIÓN	DENOMINATION
		FROM MACHINE Nr:	A PARTIR DE LA MAQUINA No :	A PARTIR DE LA MACHINE NR:
		1.301.742	1.301.742	1.301.742
26	350587	MICROPROCESSOR BOARD PM (FOR PM)	PLACA MICROPROCESADOR PM VR (PARA PM)	PLAQUE MICROPROCESSEUR PM (POUR PM)
	350579	MICROPROCESSOR BOARD SM/CM VR (FOR SM)	PLACA MICROPROCESADOR SM/CM VR (PARA SM)	PLAQUE MICROPROCESSEUR SM/CM (POUR SM)
	320655	WASHER-EXTRACTOR EPROM PM4 VER.- (FOR PM)	EPROM LAVADORAS PM4 VER.- (PARA PM)	EPROM LAVEUSES PM4 VER.- (POUR PM)
	320663	WASHER-EXTRACTOR EPROM SM4/CM4 (FOR SM)	EPROM LAVADORAS SM4/CM4 VER.- (PARA SM)	EPROM LAVEUSES SM4/CM4 VER01 (POUR SM)
	187195	RAM ZERO POWER MK48Z08-10 (FOR PM)	RAM ZERO POWER MK48Z08-10 (PARA PM)	RAM ZERO POWER MK48Z08-10 (POUR PM)
	303933	EEPROM ST24C04 (FOR SM)	EEPROM ST24C04 (PARA SM)	EEPROM ST24C04 (POUR SM)
	187203	INPUT OPTOISOLATOR 4N35	OPTOACOPLADOR ENTRADA 4N35	OPTOISOLATOR ENTREE 4N35
	187211	OUTPUT OPTOISOLATOR	OPTOACOPLADOR SALIDA	OPTOISOLATOR SORTIE
	188003	DISPLAY TDSR 5160	DISPLAY TDSR 5160	DISPLAY TDSR 5160

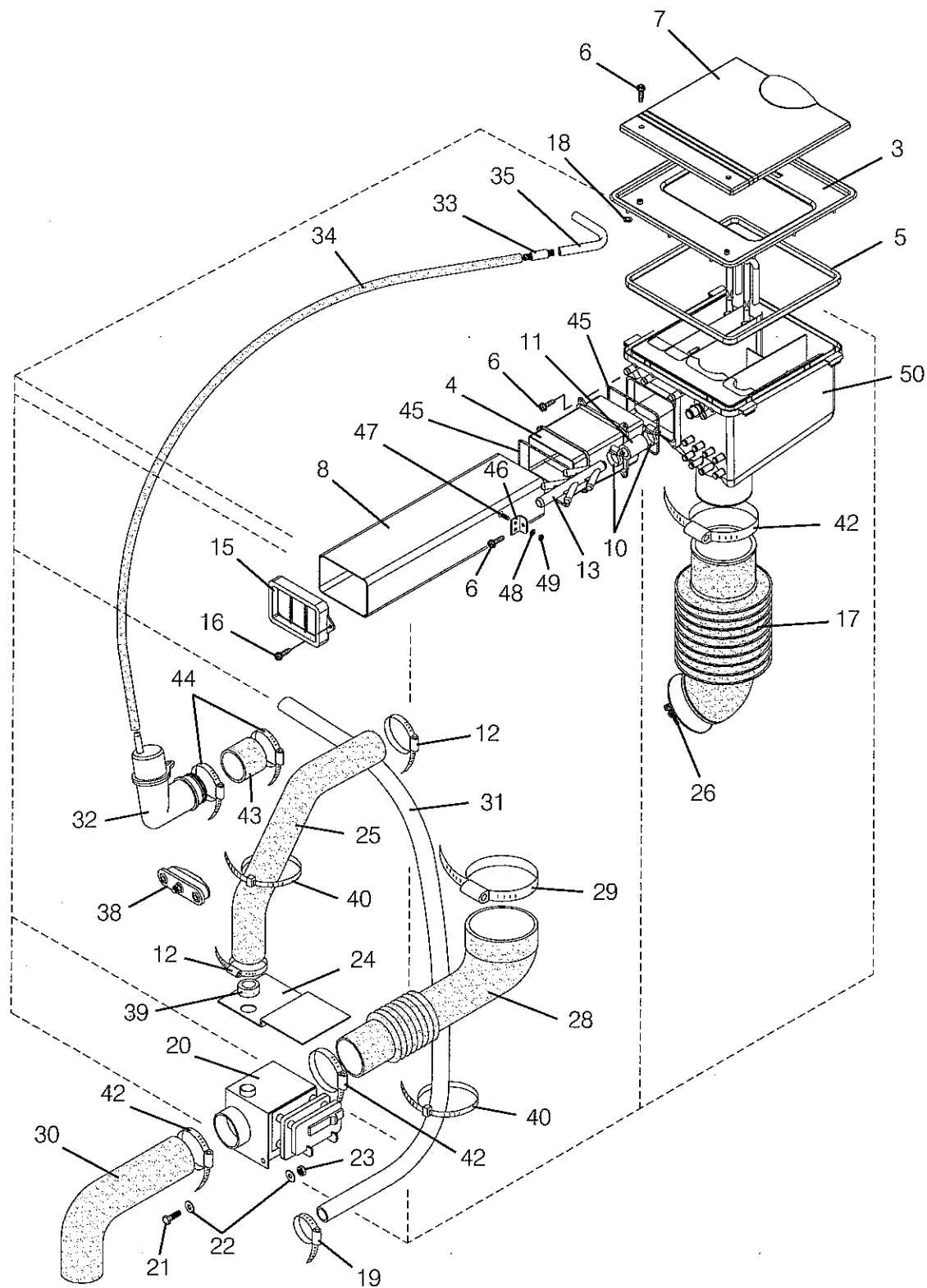


N°	REF	DENOMINATION	DENOMINACIÓN	DENOMINATION
1	409060	CONVERTER INSTALLATION PLATE	PLACA INSTALACION CONVERTIDOR	PLAQUE INSTALL.CONVERTISSEUR
2	183541	CYLIN. NUT M5 R-310077-3	TUER.ENJ.M5 CILINDR.R-310077-3	ECROU M5 CYLIN. R-310077-3
3	144261	ALLEN SCREW DIN 912 M-5X10	TOR.ALDDIN912-8.8 B.TRI.M 5X10	VIS ALLEN DIN 912 M-5X10
4	318790	INVERTER FRN 2.2 G11S-4EN (FOR THREE-PHASE) (FOR 380V-400V-415V-440V-480V)	CONVERTIDOR FRN 2.2 G11S-4EN * (PARA TRIFASICO) (PARA 380V-400V-415V-440V-480V)	CONVERTISSEUR FRN 2.2 G11S-4EN (POUR TRIPHASE) (POUR 380V-400V-415V-440V-480V)
	314948	INVERTER FVR 2.2 C11S-7WM (FOR SINGLE-PHASE) (FOR 200V-208V-220V-230V-240V)	CONVERTIDOR FVR 2.2 C11S-7WM (PARA MONOFASICO) (PARA 200V-208V-220V-230V-240V)	CONVERTISSEUR FVR 2.2 C11S-7WM (POUR MONOPHASE) (POUR 200V-208V-220V-230V-240V)
	327551	INVERTER FRN 2,2 G11S-2JE (FOR THREE-PHASE) (FOR 200V-208V-220V-230V-240V)	CONVERTIDOR FRN 2.2 G11S-2JE * (PARA TRIFASICO) (PARA 200V-208V-220V-230V-240V)	CONVERTISSEUR FRN 2,2 G11S-2JE (POUR TRIPHASE) (POUR 200V-208V-220V-230V-240V)
5	146126	BICR CYL SCREW DIN84-4 M-5X15	TOR.CIL.DIN84-4.8 B.TRI.M 5X15	VIS CYL BICR DIN84-4.8 M-5X15
6	318832	FILTER TP.-4.0G11-4 (FOR THREE-PHASE)	FILTRO TIPO EFL-4.0G11-4 (PARA TRIFASICO)	FILTRE TP.RFL-4.0G11-4 (POUR TRIPHASE)
	314955	FILTER EFL-2,2C11-7 (FOR SINGLE-PHASE)	FILTRO TIPO EFL-2.2C11-7 (PARA MONOFASICO)	FILTRE EFL-2.2C11-7 (POUR MONOPHASE)
7	318808	INDUCTANCE DCR002 (FOR THREE-PHASE) (FOR 220-230V 50HZ 1PH)	INDUCTANCIA DCR002 (PARA TRIFASICO) (PARA 220-230V 50HZ 1PH)	INDUCTANCE DCR002 (POUR TRIPHASE) (POUR 220-230V 50HZ 1PH)
	318295	INDUCTANCE DCR001 (FOR SINGLE-PHASE) (EXCEPT FOR 220-230V 50HZ 1PH)	INDUCTANCIA DCR001 (PARA MONOFASICO) (EXCEPTO 220-230V 50HZ 1PH)	INDUCTANCE DCR001 (POUR MONOPHASE) (SAUF POUR 220-230V 50HZ 1PH)
8	183400	CYL.PLATE SCREW ST-4 20 C/AL	TOR.CHAPA ST-4 20 C/AL.T25	VIS PLAQUE CYL.ST-4 20 C/AL
9	209239	CONTACTORS FIXING PROFILE	PERFIL FIJACION CONTACTORES	PROFILE FIXATION CONTACTEURS
10	320846	CONTACTOR 3RT10 24-1AL2 (FOR THREE-PHASE)	CONTACTOR 3RT10 24-1AL2 (PARA TRIFASICO)	CONTACTEUR 3RT10 24-1AL2 (POUR TRIPHASE)
	321240	COIL 3RT1924-5AL21 230-50/60 (FOR THREE-PHASE)	BOBINA 3RT1924-5AL21 230-50/60 (PARA TRIFASICO)	BOBINE 3RT1924-5AL21 230-50/60 (POUR TRIPHASE)
11	281691	FUSE BRACKET	SOPORTE FUSIBLES	SUPPORT FUSIBLES
12	160119	FUSE HOLDER REF.FEC 031 1631	PORTAFUSIBLES REF.FEC.031.1631	PORTE-FUSIBLE REF.FEC 031 1631
13	137661	BAYONET HEAD	CABEZA BAYONETA FEK.031.1613	TETE BAYONETTE
14	319152	FUSE SPT 0001.2521 0,5A	CART.FUSIB.SPT 0001.2521 0,5A*	CARTOUCHE FUSIBLE SPT
15	321125	FUSE SPT 1 A (FOR 200V-208V-220V-230V-240V)	CART.FUSIB.SPT 0001.2524 1 A* (PARA 200V-208V-220V-230V-240V)	CARTOUCHE FUS. SPT 1 A (POUR 200V-208V-220V-230V-240V)

N°	REF	DENOMINATION	DENOMINACIÓN	DENOMINATION
	319152	FUSE SPT 0001.2521 0,5A (FOR 380V-400V-415V-440V-480V)	CART.FUSIB.SPT 0001.2521 0,5A* (PARA 380V-400V-415V-440V-480V)	CARTOUCHE FUSIBLE SPT (POUR 380V-400V-415V-440V-480V)
16	318147	CONNECTION-BOARD PA-239L WP (12 UNITS)	REGLETA PA-239L/12POLOS WP (12 ELEMENTOS)	REGLETTE PA-239L/12POLES WP (12 UNITÉS)
17	199893	CLAMP STL-450-3-01	ABRAZADERA STL-3N-450	BRIDE STL-450-3-01
18	140418	CLAMP UNEX REF 1201	BRIDA UNEX 1201	BRIDE UNEX REF 1201
19	320614	TRANSFORMER IP00 100 VA (FOR 200V-208V-220V-230V-240V)	TRANSFORMADOR IP00 100 VA * (PARA 200V-208V-220V-230V-240V)	TRANSFORMATEUR IP00 100 VA (POUR 200V-208V-220V-230V-240V)
	320218	TRANSFORMER IP 100 VA (FOR 380V-400V-415V-440V-480V)	TRANSFORMADOR IP00 100 VA * (PARA 380V-400V-415V-440V-480V)	TRANSFORMATEUR IP00 100 VA (POUR 380V-400V-415V-440V-480V)
20	344184	SECTION SWITCH 25A	INTERRUPTOR SECCIONADOR 25A	INTERRUPTEUR SECTIONNEUR 25A
22	408104	CURRENT INPUT COVER	TAPA ENTRADA CORRIENTE	COUVERCLE ENTRÉE DE COURANT
23	146084	BICR CYL SCREW DIN84 M 4X 10	TOR.CIL.DIN84-4.8 B.TRI.M 4X10	VIS CYL BICR DIN84-4.8 M 4X 10
24	149476	BICR.WASHER B DIN125-ST 4,3	ARAN.B DIN125-ST B.TRI. 4,3	RONDELLE B DIN125-ST BICR.4,3
25	146233	BICR.HEX SCREW DIN933-8 M6X15	TOR.EX.DIN933-8.8 B.TRI.M 6X15	VIS HEX DIN933-8.8 BICR.M6X15
26	149526	BICR.WASHER B DIN125-ST 6,4	ARAN.B DIN125-ST B.TRI. 6,4	RONDELLE B DIN125-ST BICR.6,4
27	140525	CLAMP 2244-0	BRIDA UNEX 2244-0 *	BRIDE 2244-0
28	140533	CLAMP 2271-0	BRIDA UNEX 2271-0 *	BRIDE 2271-0
29	147884	FAN 120X120C38 220-240V	VENTILADOR 120X120X38 220-240*	VENTILATEUR 120X120C38 220-240
30	146258	BIC.HEX SCREW DIN933-4.8 M4X10	TOR.EX.DIN933-4.8 B.TRI.M 4X10	VIS HEX DIN933-4.8 BICR.M 4X10
31	150185	BICR.HEX.NUT DIN934-8 M4	TUER.EX.DIN934-8 B.TRI.M 4	ECROU HEX.DIN934-8 BICR.M4
32	291286	FAN BRACKET	SOPORTE VENTILADOR	SUPPORT VENTILATEUR
33	165621	BIC HEX SCREW DIN933-8,8 M6X10	TOR.EX.DIN933-8.8 B.TRI.M 6X10	VIS HEX DIN933-8,8 BICR M6X10
38	321117	NUT ENJ.M6 1,6-2,5 R.310008-7	TUER.ENJ.M6 1,6-2,5 R.310008-7	ECROU ENJ.M6 1,6-2.5 R310008-7
39	321166	FERRITE SPLIT RFC-9	FERRITA SPLIT RFC-9	FERRITE SPLIT RFC-9
40	409243	CEM BOX (PROFILE INCLUDED)	CAJA CEM (INCLUYE PERFIL)	BOÎTE CEM (COMPRIS PROFILE)
41	321273	PROFILE E0813T00000 UL94HB (1 METER)	PERFIL E0813T00000 UL94HB (1 METRO)	PROFILE E0813T00000 UL94HB (1 METRE)
42	144295	BICR.SCREW ALLEN912-8.8 M 5X25	TOR.ALDDIN912-8.8 B.TRI.M 5X25	VIS ALLDIN912-8.8 BICR.M 5X 25
43	149534	BICR.WASHER B DIN125-ST 5,3	ARAN.B DIN125-ST BICR. 5,3	RONDELLE B BICR.DIN125-ST 5,3

N°	REF	DENOMINATION	DENOMINACIÓN	DENOMINATION
44	149724	BICR EXT.TOOT.WASH.DIN6798 M5	ARAN.DEN.EXT.B.TRI.DIN6798M 5	RONDEL DEN.EX.BICR.DIN6798 M5
45	150177	BICR HEX NUT DIN934-8 M5	TUER.EX.DIN934-8 B.TRI.M 5	ECROU HEX DIN934-8 BIC.M5
46	318840	IND.RELAY G7L-2A-TUB 200-240V (FOR SINGLE-PHASE)	RELE IND.G7L-2A-TUB 200-240VAC (PARA MONOFASICO)	RELAIS IND.G7L-2A-TUB 200-240V (POUR MONOPHASE)
47	332346	FAN G11-FAN 3,7 (2,2-4,0 KW) (FOR THREE-PHASE)	VENT. G11-FAN3,7 (2,2-4,0 KW) (PARA TRIFASICO)	VENT.G11-FAN3,7 (2,2-4,0 KW) (POUR TRIPHASE)

N°	REF	DENOMINATION	DENOMINACIÓN	DENOMINATION
		FROM MACHINE Nr: 1.302.192	A PARTIR DE LA MAQUINA No : 1.302.192	A PARTIR DE LA MACHINE NR: 1.302.192
4	354217	INVERTER FRN 2.2 C1S-7WM (FOR SINGLE-PHASE) (FOR 200V-208V-220V-230V-240V)	CONVERTIDOR FRN 2.2 C1S-7WM (PARA MONOFASICO) (PARA 200V-208V-220V-230V-240V)	CONVERTISSEUR FRN 2.2 C1S-7WM (POUR MONOPHASE) (POUR 200V-208V-220V-230V-240V)
6	451641	FILTER HS-4022 1PH (FOR SINGLE-PHASE)	FILTRO HS-4022 1PH (PARA MONOFASICO)	FILTRE HS-4022 1PH (POUR MONOPHASE)

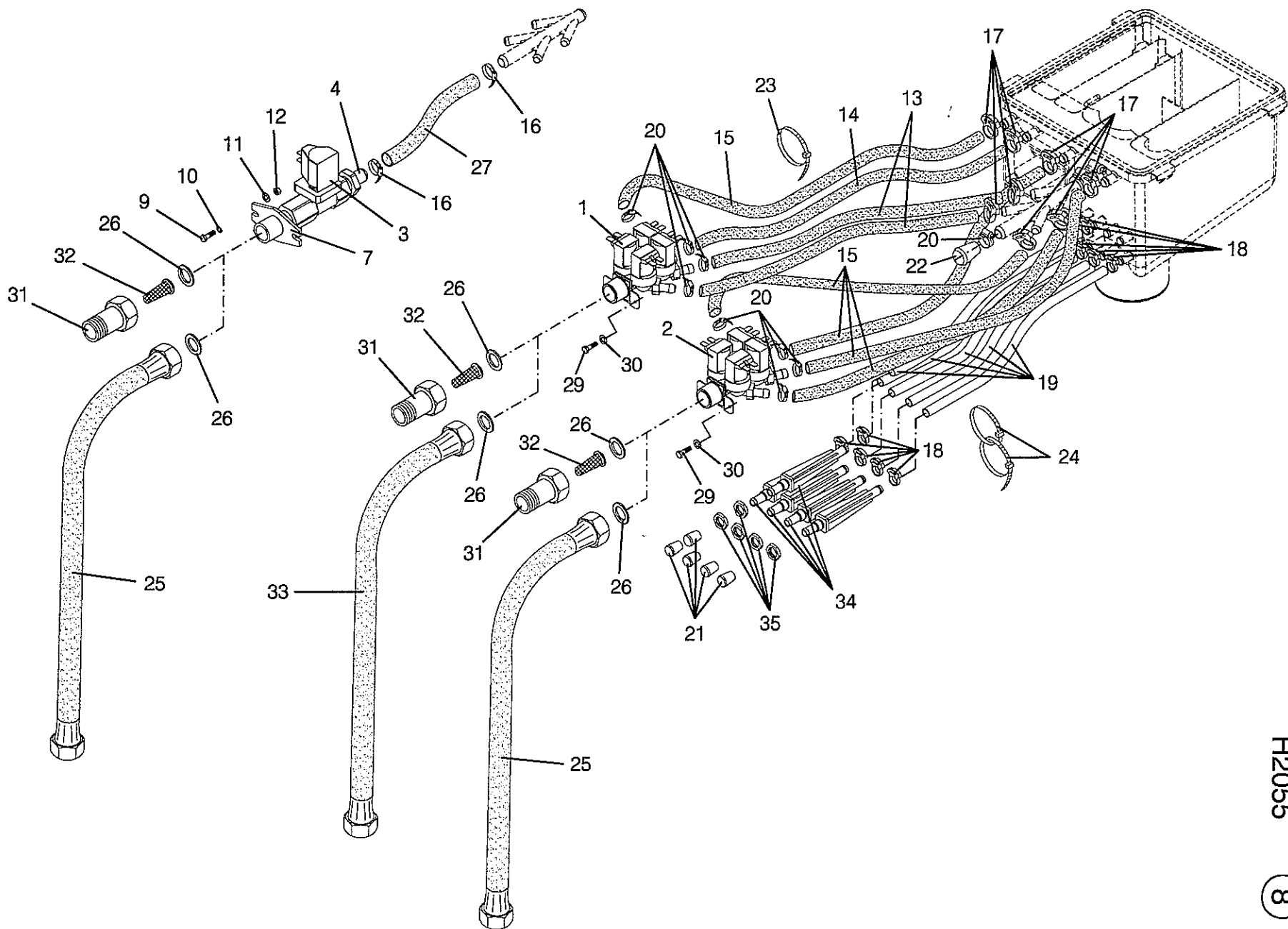


Nº	REF	DENOMINATION	DENOMINACIÓN	DENOMINATION
1	328641	DISTRIBUTOR ASSEMBLY	CONJUNTO DISTRIBUIDOR	ENSEMBLE DISTRIBUTEUR
	321380	ASPIRATION HOSE	TUBO ASPIRACION	TUBE ASPIRATION
2	321331	SOAP DISPENSER BODY	CUERPO DOSIFICADOR (328690)	CORPS BAC A PRODUITS
3	339291	SOAP DISPENSER COVER FRAME	MARCO TAPA DOSIFICADOR	CADRE COUVERCLE BAC A PRODUITS
4	321505	OVERFLOW HOSE	TUBO REBOSADERO	TUBE DEVERSOIR
5	321430	SOAP DISPENSER GASKET	JUNTA DOSIFICADOR	JOINT BACS A PRODUITS
6	326660	SCREW CELO 412RFX87T 4X12 INOXA2	TOR.CELO 412RFX87T INOXA2 4X12	VIS CELO 412RFX87T INOXA2 4X12
7	339283	SOAP DISPENSER COVER	TAPA DOSIFICADOR	COUVERCLE BAC A PRODUITS
8	410019	OVERFLOW HOSE	TUBO REBOSADERO	TUBE REVERSOIR
9	321349	WATER INLET RACCORD	RACOR ENTRADA AGUA DIRECTA	RACCORD ENTREE EAU
10	156109	CLAMP 16-27	ABRAZADERA 16- 27 *	BRIDE 16-27
11	411165	BRANCH SLEEVE	MANGUITO BIFURCACION	MANCHON BIFURCATION
12	132290	CLAMP 301730-8 D50-70	ABRAZADERA 301730-8 D50- 70	BRIDE 301730-8 D50-70
13	326678	MULTIPLE BRANCH	BIFURCACION MULTIPLE	BIFURCATION MULTIPLE
15	410027	OVERFLOW HOSE FRAME	MARCO TUBO REBOSADERO	CADRE TUBE REVERSOIR
16	322750	SCREW FDS SF-M5X12PKS	TOR.AUTO-ROSC.TORX.ESTR.M5X12*	VIS.FDS SF-M5X12PKS
17	321448	SOAP DISPENSER BELLOWS	FUELLE DOSIFICADOR	FAUX-PLI BAC A PRODUITS
18	193540	MIKALOR QUICK FIXING 211038-8	SUJEC.RAPIDA MIKALOR 211038-8	FIXATION RAPIDE MIKALOR 211038-8
19	156109	CLAMP 16-27	ABRAZADERA 16- 27 *	BRIDE 16-27
20	163212	DRAIN (NORMALLY OPEN) (NORMALLY OPEN)	DESAGUE(ABIERTO A F.DE CORR.)* (NORMALMENTE ABIERTO)	VIDANGE (NORMALEMENT OUVERTE) (NORMALEMENT OUVERT)
	163238	DRAIN (NORMALLY CLOSED) (FOR PM)	DESAGUE(CERRADO A F.DE CORR.)* (PARA PM)	VIDANGE (NORMALEMENT FERMEE) (POUR PM)
	159756	MOTOR AND GEAR-BOX RE. 453L (NORMALLY OPEN)	MOTOR-REDUCTOR0,24A.MTR453L18* (NORMALMENTE ABIERTO)	MOTEUR ET REDUCTEUR REF.453L (NORMALEMENT OUVERT)
	159764	MOTOR AND GEAR-BOX RE. 453R (NORMALLY CLOSED)	MOTOR-REDUCTOR 453R 0,24AMP. * (NORMALMENTE CERRADO)	MOTEUR ET REDUCTEUR REF. 453R (NORMALEMENT FERMÉ)
	159749	OPERATING SPRING RE. 308R (NORMALLY OPEN)	MUELLE ACCIONAMIENTO DS308R (NORMALMENTE ABIERTO)	RESSORT ACTIONNEMENT REF. 308R (NORMALEMENT OUVERT)
	159731	OPERATING SPRING RE.408L (NORMALLY CLOSED)	MUELLE ACCIONAMIENTO REF.408L (NORMALMENTE CERRADO)	RESSORT ACTIONNEMENT REF. 408L (NORMALEMENT FERMÉ)

Nº	REF	DENOMINATION	DENOMINACIÓN	DENOMINATION
	163394	TIGHTNESS SEAL RE. 311VP	RETEN ESTANQUEIDAD REF.VP311 *	RESERVE ETACHEITE REF. 311VP
	166561	DRAIN BODY RE. 711-SO 3"	CUERPO DESAGÜE REF.711-SO 3" *	CORPS VIDANGE REF. 711-SO 3"
	166553	MOTOR FIXING PLATE REF. 304Z	PLACA FIJACION MOTOR REF.304Z	PLAQUE FIXATION MOTEUR 304Z
	166611	MOTOR FIXING PLATE SCREW	TORNILLO PLACA FIJAC.REF.306	VIS PLAQUE FIXATION MOTEUR
	166595	MOTOR PLATE FIXING SCREW 320C	TORNILLO FIJACION REF.320C	VIS FIXATION 320C
	166603	CYL PLATE SCREW DIN7971 8X2"	TOR.CHAPA CILI.DIN7971 8X2"	VIS PLAQUE CYL DIN7971 8X2"
	166587	OPERATING SHAFT REF. 713 (NORMALLY OPEN)	EJE ACCIONAMIENTO REF.713 (NORMALMENTE ABIERTO)	AXE ACTIONNEMENT REF. 713 (NORMALEMENT OUVERT)
	166579	OPERATING SHAFT 813C (NORMALLY CLOSED)	EJE ACCIONAMIENTO REF.813C (NORMALMENTE CERRADO)	AXE ACTIONNEMENT 813C (NORMALEMENT FERMÉ)
	166629	OPERATIN SHAFT WASHER 823	ARANDELA EJE ACCIONAM. REF.823	RONDELLE AXE ACTIONNEMENT 823
	166637	MANUAL LEVER REF. 601 (NORMALLY CLOSED)	PALANCA MANUAL REF.601 (NORMALMENTE CERRADO)	LEVIER MANUEL REF. 601 (NORMALEMENT FERMÉ)
21	144881	INOX HEX SCREW DIN933 M 6X16	TOR.EX.DIN933INOX A2-70 M 6X16	VIS HEX INOX DIN933 M 6X16
22	149310	INOX.A2 WASHER DIN125 6,4	ARAN. DIN125 INOX A2 6,4	RONDELLE INOX.A2 DIN125 6,4
23	149971	INOX. HEX. NUT DIN 934 M-6	TUER.EX.DIN934 INOX A2-70 M 6	ECROU HEX. INOX. DIN 934 M-6
24	212795	DRAIN PROTECTION	PROTECCION DESAGÜE	PROTECTION VIDANGE
25	199687	RUBBER ELBOW D50X800X140	CODO GOMA D50X800X140	COUDE GOMME D50X800X140
26	323220	CLAMP D97XD2	ABRAZ.ALAMBRE D94XD2 TORNILLO	COLLIER D97XD2
28	134049	DRAIN HOSE	TUBO DESAGÜE	TUBE VIDANGE
29	155143	CLAMP 110-130	ABRAZADERA 110-130 *	BRIDE 110-130
30	163253	DRAIN OUTLET HOSE	TUBO SALIDA DESAGÜE	TUBE SORTIE VIDANGE
31	122697	BEARING BOX DRAIN HOSE	TUBO DESAGÜE CAJA COJINETES	TUBE VIDANGE BOITARD ROULEMENT
32	320382	PRESSURE TRANSMITT INTAKE BODY	CUERPO TOMA PRESOSTATO	CORPS PRISE PRESSOSTAT
33	120956	LEVEL PRESSURE-SWITCH INTAKE	TOMA PRESOSTATO NIVEL	PRISE PRESSOSTAT NIVEAU
34	244897	& PRESSOSTAT HOSE	TUBO PRESOSTATOS	TUBE PRESSOSTATS
35	279588	AIR CONDUCTION HOSE	TUBO CONDUCCION AIRE	TUBE CONDUITE AIR
38	121962	HEATER INLET LID	CIERRE ENTRADA CALEFACTOR *	FERMETURE ENTREE RESISTANCE
39	301853	OVERFLOW HOSE SUPPLEMENT	SUPLEMENTO TUBO REBOSADERO	SUPPLEMENT TUBE DEVERSOIR
40	140509	CLAMP 2273-0	BRIDA UNEX 2273-0 *	BRIDE 2273-0

N°	REF	DENOMINATION	DENOMINACIÓN	DENOMINATION
42	132340	CLAMP REF.30173380-2 D80-100	ABRAZADERA REF.30173380-2 D80-100	BRIDE REF.30173380-2 D80-100
43	321000	PRESSOSTAT BODY JOINTING	UNION CUERPO PRESOSTATO	UNION CORPS PRESSOSTAT
44	149609	CLAMP 301526-5 D25-40	ABRAZADERA 25- 40 *	BRIDE 301526-5 D25-40
45	326868	FOAM SILICONE CORD D4	CORDON SILICONA ESPONJOSA D4	CORD SILICONE EPONGE D4
46	420760	GASKET LOCK END-PIECE	TOPE APRIETE JUNTA	ARRET FERMETURE JOINT
47	192864	ALLEN SCREW INOX DIN7991 M4X12	TOR.AV.ALL.INOX DIN7991M 4X 12	VIS ALLEN INOX DIN7991 M4X 12
48	149328	INOX A2 WASHER DIN 125 4,3	ARAN. DIN125 INOX A2 4,3	RONDELLE INOX A2 DIN 125 4,3
49	149922	INOX HEX. NUT DIN 934 M-4	TUER.EX.DIN934 INOX A2-70 M 4	ECROU HEX. INOX DIN 934 M-4

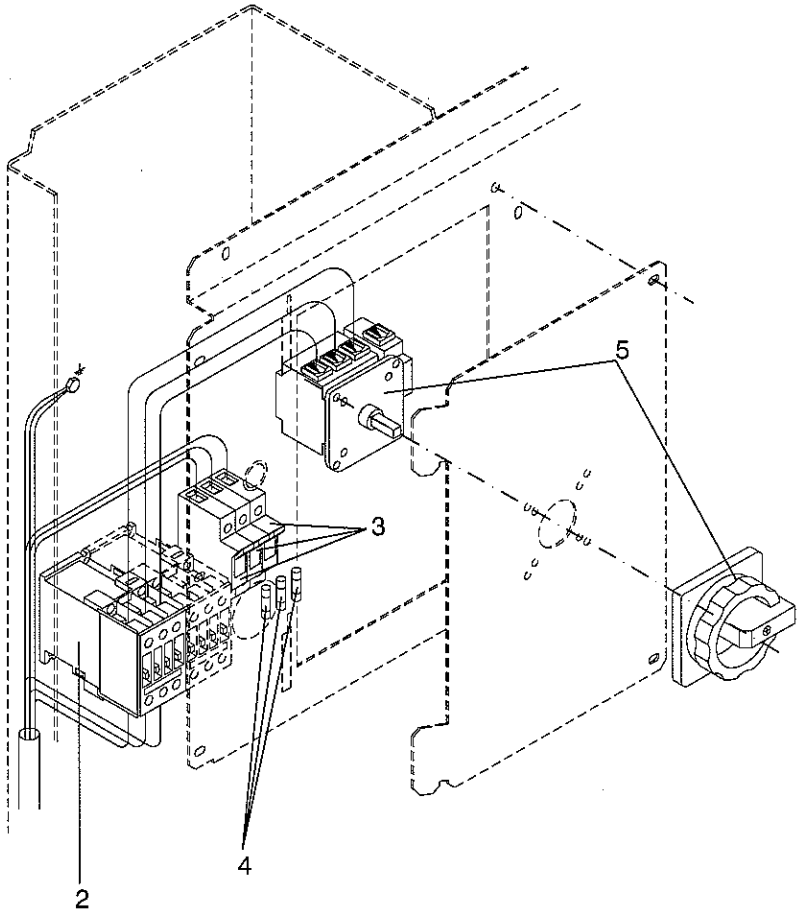
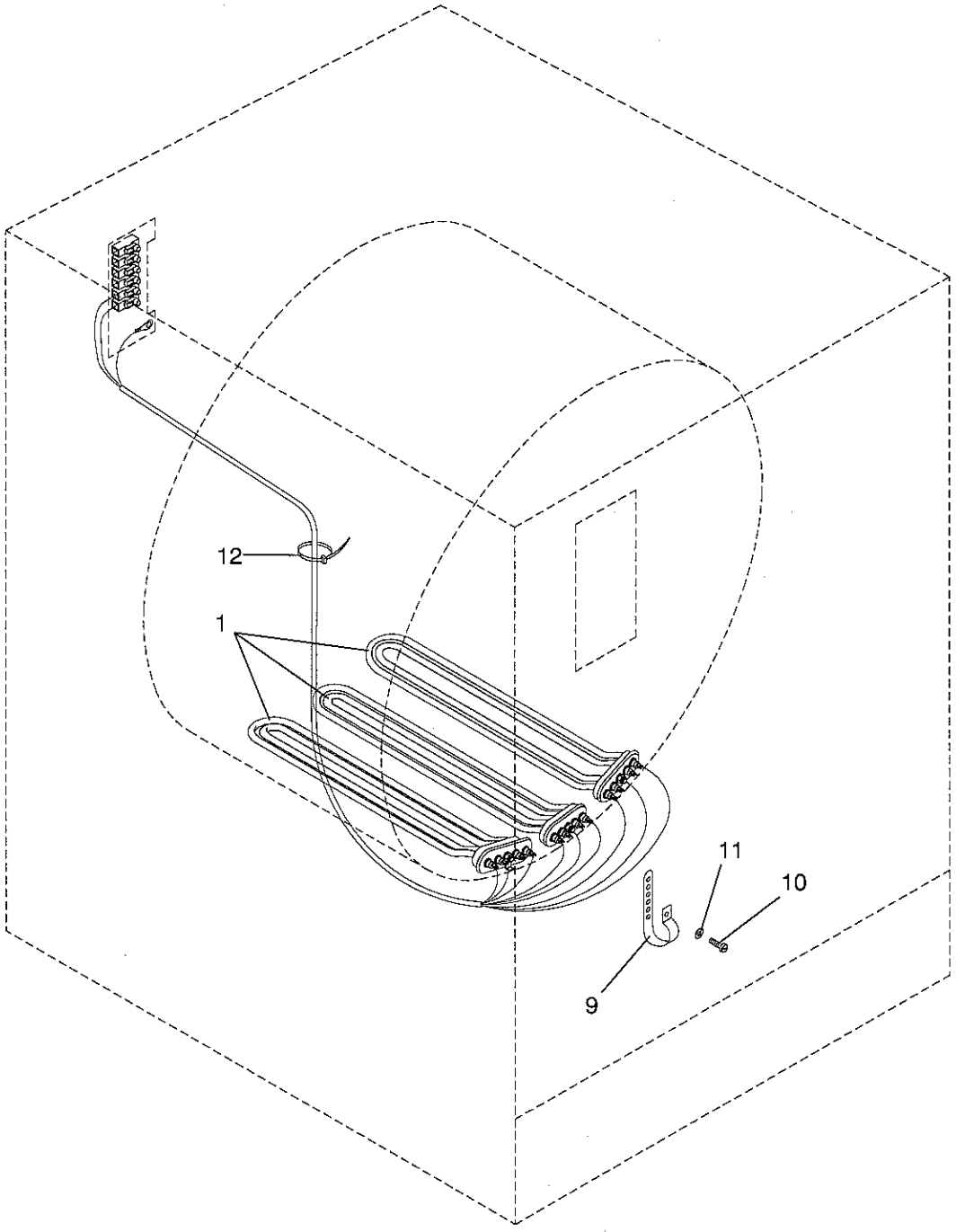
N°	REF	DENOMINATION	DENOMINACIÓN	DENOMINATION
		FROM MACHINE Nr:	A PARTIR DE LA MAQUINA No :	A PARTIR DE LA MACHINE NR:
		1.300.428	1.300.428	1.300.428
1	321380	CANCELLED	ANULADO	ANNULE
	328641	CANCELLED	ANULADO	ANNULE
2	321331	CANCELLED	ANULADO	ANNULE
9	321349	CANCELLED	ANULADO	ANNULE
50	328690	SOAP DISPENSER SET	CONJUNTO DOSIFICADOR	ENSEMBLE BAC A PRODUITS
	339598	ASPIRATION HOSE	TUBO ASPIRACION	TUBE ASPIRATION



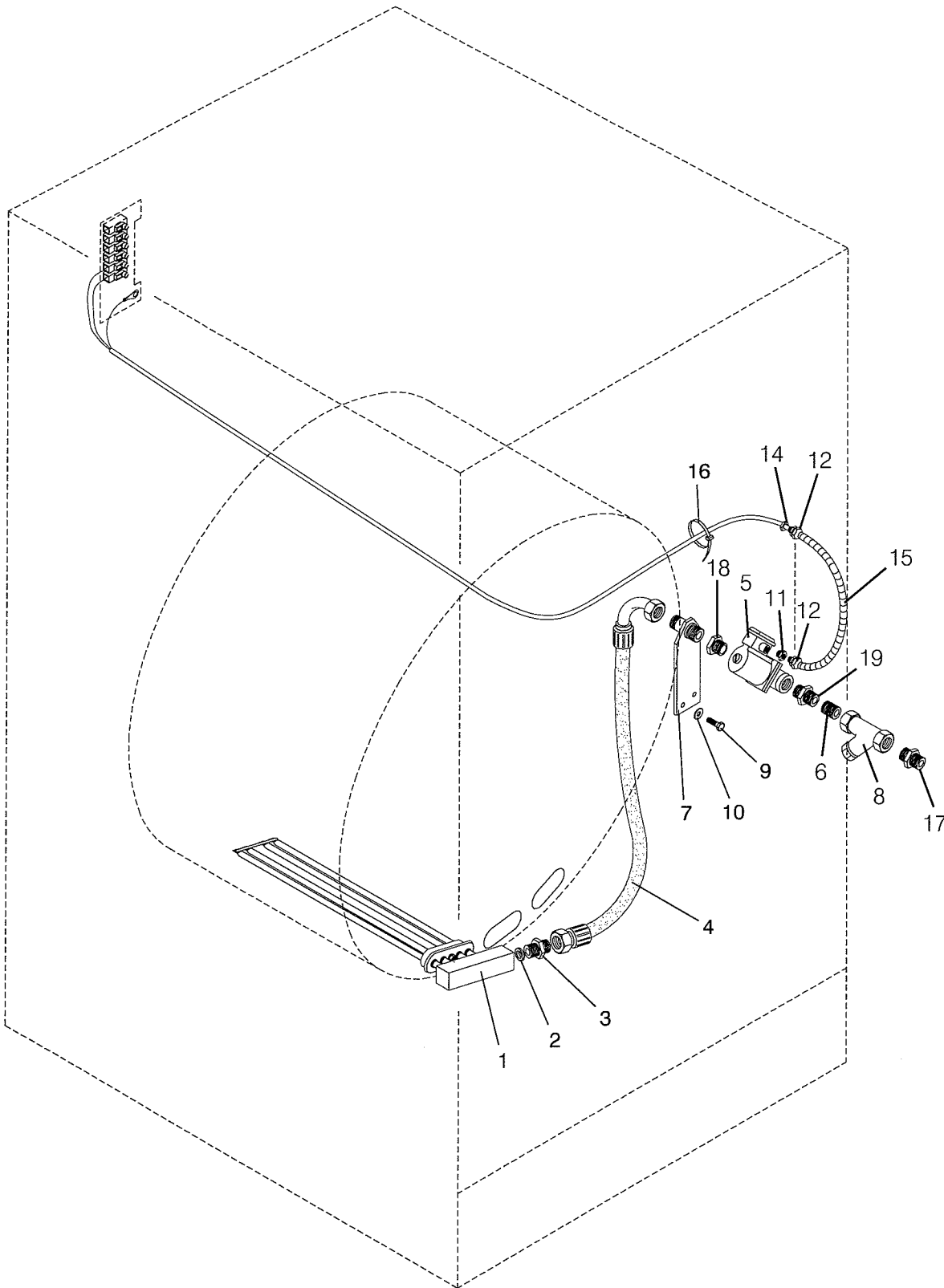
Nº	REF	DENOMINATION	DENOMINACIÓN	DENOMINATION
1	411157	4-TRACK ELECTROVALVE	ELECTROVALVULA CUATRO VIAS	ELECTROVANNE 4 VOIES
	192054	ELECT.SERIES 300 COIL 220/240V	BOBINA ELEC.SERIE 300 220/240V	BOBINE ELEC.SERIE 300 220/240V
	300194	YELLOW CASE 30053	ESTUCHE AMARILLO 30053	BOITE JAUNE 30053
	300202	INTEGRAL GUIDE-MEMBRANE 30696	MEMBRANA-GUIA INTEGRAL 30696 *	MEMBRANE-GUIDE INTEGRALE 30696
	156265	REGULATOR 3 L/MIN (BLACK)	REGULADOR DE 3 L/MIN. (NEGRO)	REGULATEUR 3 L/MIN (NOIR)
2	129411	180 DEG. ELECTROVALVE 389A	ELECTROV.CUADRUPLE 389-A 180**	ELECTROVANNE 180 DEG.389A
	192054	ELECT.SERIES 300 COIL 220/240V	BOBINA ELEC.SERIE 300 220/240V	BOBINE ELEC.SERIE 300 220/240V
	300194	YELLOW CASE 30053	ESTUCHE AMARILLO 30053	BOITE JAUNE 30053
	300202	INTEGRAL GUIDE-MEMBRANE 30696	MEMBRANA-GUIA INTEGRAL 30696 *	MEMBRANE-GUIDE INTEGRALE 30696
3	116277	INDUSTRIAL ELECTROVALVE	ELECTROVALVULA INDUSTRIAL	ELECTROVANNE INDUSTRIELLE
	353136	VALVE BODY EV220A G34 042U4031	CUERPO VAL.EV220A G34 042U4031	CORPS VANNE EV220AG34 042U4031
	353144	COIL AB 4.5W230VAC 042NO800	BOBINA AB 4.5W230VAC 042NO800	BOBINE AB 4.5W230VAC 042NO800
4	160259	WATER INLET NUT	TUERCA ENTRADA AGUA	ECROU ENTREE EAU
7	116830	ELECTROVALVE BRACKET	SOPORTE ELECTROVALVULA	SUPPORT ELECTROVANNE
9	146233	BICR.HEX SCREW DIN933-8 M6X15	TOR.EX.DIN933-8.8 B.TRI.M 6X15	VIS HEX DIN933-8.8 BICR.M6X15
10	149526	BICR.WASHER B DIN125-ST 6,4	ARAN.B DIN125-ST B.TRI. 6,4	RONDELLE B DIN125-ST BICR.6,4
11	149716	BICR.EXT TOOT.WASH.DIN6798 M6	ARAN.DEN.EXT.B.TRI.DIN6798M 6	RONDEL.DEN.EX.BICR DIN6798 M6
12	150227	BICR HEX NUT DIN934-8 M6	TUER.EX.DIN934-8 B.TRI.M 6	ECROU HEX DIN934-8 BICR.M6
13	411140	& WATER INLET HOSE	TUBO ENTRADA AGUA	TUBE ENTREE EAU
14	411132	& WATER INLET HOSE	TUBO ENTRADA AGUA	TUBE ENTREE EAU
15	411124	& WATER INLET HOSE	TUBO ENTRADA AGUA	TUBE ENTREE EAU
16	156109	CLAMP 16-27	ABRAZADERA 16- 27 *	BRIDE 16-27
17	323675	CLAMP NORMA 22HC0593	ABRAZADERA NORMA 22HC0593	COLLIER NORMA 22HC0593
18	323667	CLAMP NORMA D12,07-D13,61	ABRAZADERA NORMA D12,07-D13,61	COLLIER NORMA D12,07-D13,61
19	411264	§ EXTERNAL DOSING HOSE	TUBO DOSIFICACION EXTERNA	TUBE DOSAGE EXTERNE
20	155150	CLAMP 8-16	ABRAZADERA 8- 16 *	BRIDE 8-16
21	156679	CONICAL END-PIECE R-16 D10	TOPE CONICO REPRIMSA R-16 D10	BOUCHON CONIQUE R-16 D10
22	156687	CONICAL END-PIECE R-16 D16	TOPE CONICO REPRIMSA R-16 D16	ARRET CONIQUE R-16 D16

N°	REF	DENOMINATION	DENOMINACIÓN	DENOMINATION
23	140533	CLAMP 2271-0	BRIDA UNEX 2271-0 *	BRIDE 2271-0
24	140509	CLAMP 2273-0	BRIDA UNEX 2273-0 *	BRIDE 2273-0
25	326587	WATER INLET AC DI12,5 L1,5M (EXCEPT FOR USA AND CANADA)	TUBO ENTRADA AC DI12,5 L1,5M * (EXCEPTO PARA USA Y CANADA)	FLEXIBLE ENTRÉE AC DI12,5 L1,5 (SAUF POUR USA ET CANADA)
26	114348	GASKET D24XD13,5X2	JUNTAMIFLEX D24X13, 5X2	JOINT D24XD13,5X2
27	411199	@ WATER INLET HOSE	TUBO ENTRADA AGUA	TUBE ENTRÉE EAU
29	146258	BIC.HEX SCREW DIN933-4.8 M4X10	TOR.EX.DIN933-4.8 B.TRI.M 4X10	VIS HEX DIN933-4.8 BICR.M 4X10
30	149732	BICR.EXT TOOT.WASH DIN6798 M4	ARAN.DEN.EXT.B.TRI.DIN6798M 4	RONDEL.DEN.EX.BICR.DIN6798 M4
31	315309	FILTER BODY (FOR USA AND CANADA ONLY)	CUERPO FILTRO (SOLO PARA USA Y CANADA)	CORPS FILTRE (SEULEMENT POUR USA ET CANADA)
	315317	FILTER BODY (EXCEPT FOR USA AND CANADA)	CUERPO FILTRO (EXCEPTO PARA USA Y CANADA)	CORPS FILTRE (SAUF POUR USA ET CANADA)
32	315614	CONICAL FILTER REF.4008-2-1	FILTRO CONICO REF.4008-2-1	FILTRE CONIQUE REF.4008-2-1
33	326579	WATER INLET AF DI12,5 L1,5M (EXCEPT FOR USA AND CANADA)	TUBO ENTRADA AF DI12,5 L1,5M * (EXCEPTO PARA USA Y CANADA)	FLEXIBLE ENTRÉE AF DI12,5 L,5M (SAUF POUR USA ET CANADA)
34	321422	EXTERNAL DOSING RACCORD	RACOR DOSIFICACION EXTERNA	RACCORD DOSAGE EXTERNE
35	323709	FIG.312 1/4 NPT PUL.LAT.NUT	TUER.LATON FIG312 1/4NPT PULI.	ECROU LAT.FIG.312 1/4 NPT PUL.
	796482	THIRD WATER INLET KIT (FOR PM) (FOR USA AND CANADA ONLY)	KIT TERCERA ENTRADA AGUA (PARA PM) (SOLO PARA USA Y CANADA)	KIT TROISIEME ENTREE EAU (POUR PM) (SEULEMENT POUR USA ET CANADA)
	796474	THIRD WATER INLET KIT (FOR PM) (EXCEPT FOR USA AND CANADA)	KIT TERCERA ENTRADA AGUA (PARA PM) (EXCEPTO PARA USA Y CANADA)	KIT TROISIEME ENTRÉE EAU (POUR PM) (SAUF POUR USA ET CANADA)
&	323469	1 METER HOSE PARIGI D10XD16	1 METRO TUBO PARIGI D10XD16	1 METRE TUBE PARIGI D10XD16
\$	323634	1 METER HOSE TYGON D9,5XD12,7	1 METRO TUBO TYGON D9,5XD12,7	1 METRE TUBE TYGON D9,5XD12,7
@	326686	1 METER HOSE ALIM.LM3 DI16	1 METRO TUBO ALIM.LM3 DI16	1 METRE TUBE ALIM.LM3 DI16

N°	REF	DENOMINATION	DENOMINACIÓN	DENOMINATION
		FROM MACHINE Nr:	A PARTIR DE LA MAQUINA No :	A PARTIR DE LA MACHINE NR:
		1.301.532	1.301.532	1.301.532
19	348466	EXTERNAL DOSING HOSE	TUBO DOSIFICACION EXTERNA	TUBE DOSAGE EXTERNE
34	348474	EXTERNAL DOSING RACCORD	RACOR DOSIFICACION EXTERNA	RACCORD DOSAGE EXTERNE



Nº	REF	DENOMINATION	DENOMINACIÓN	DENOMINATION
		ELECTRIC HEATING KITS	KITS CALEFACCION ELECTRICA	KITS CHAUFFAGE ELECTRIQUE
	796169	KIT E.H.FOR 240V (FOR 208 AND 240V)	KIT CAL.ELEC.240V (PARA 208 Y 240V)	KIT CH.E.240V (POUR 208 ET 240V)
	796185	KIT E.H.415V (FOR 415V)	KIT CAL.ELEC.415V (PARA 415V)	KIT CH.E.415V (POUR 415V)
	796151	KIT E.H.FOR 200-208-220-230V	KIT CAL.ELEC.200-208-220-230V	KIT CH.E.POUR 200-208-220-230V
	796177	KIT E.H.380-400V	KIT CAL.ELEC.380-400V	KIT CH.E.380-400V
1	318766	HEATER 240V 6000W (FOR 208 AND 240V) (FOR 240 AND 415V)	CALEFACTOR 240V 6000W (PARA 208 Y 240V) (PARA 240 Y 415V)	RESISTANCE 240V 6000W (POUR 208 ET 240V) (POUR 240 ET 415V)
	320838	HEATER 230V 6000W (FOR 200V-208V-220V-230V-380V-400V)	CALEFACTOR 230V 6000W (PARA 200V-208V-220V-230V-380V-400V)	RESISTANCE 230V 6000W (POUR 200V-208V-220V-230V-380V-400V)
2	320853	CONTACTOR 3RT10 34-1AL2 (FOR 200V-208V-220V-230V-240V)	CONTACTOR 3RT10 34-1AL2 (PARA 200V-208V-220V-230V-240V)	CONTACTEUR 3RT10 34-1AL2 (POUR 200V-208V-220V-230V-240V)
	321257	COIL 3RT1934-5AL21 230-50/60	BOBINA 3RT1934-5AL21 230-50/60	BOBINE 3RT1934-5AL21 230-50/60
	320846	CONTACTOR 3RT10 24-1AL2 (FOR 380-400-415V)	CONTACTOR 3RT10 24-1AL2 (PARA 380V-400V-415V)	CONTACTEUR 3RT10 24-1AL2 (POUR 380-400-415V)
	321240	COIL 3RT1924-5AL21 230-50/60	BOBINA 3RT1924-5AL21 230-50/60	BOBINE 3RT1924-5AL21 230-50/60
3	306431	FUSE HOLDER 32A 10X38	PORTAFUSIBLES 32A 10X38 1P*	PORTE-FUSIBLE 32A 10X38
4	307181	FUSE GG 10X38 10A (FOR 200V-208V-220V-230V-240V)	FUSIBLE GG 10X38 10A S218194 (PARA 200V-208V-220V-230V-240V)	FUSIBLE GG 10X38 10A (POUR 200V-208V-220V-230V-240V)
	321042	FUSE GG 10X38 6A K215128 (FOR 380-400-415V)	FUSIBLE GG 10X38 6A K215128 (PARA 380V-400V-415V)	FUSIBLE GG 10X38 6A K215128 (POUR 380-400-415V)
5	344176	SECTION SWITCH 32A (FOR 380-400-415V)	INTERRUPTOR SECCIONADOR 32A (PARA 380V-400V-415V)	INTERRUPTEUR SECTIONNEUR 32A (POUR 380-400-415V)
	344168	SECTION SWITCH 63A (FOR 200V-208V-220V-230V-240V)	INTERRUPTOR SECCIONADOR 63A (PARA 200V-208V-220V-230V-240V)	INTERRUPTEUR SECTIONNEUR 63A (POUR 200V-208V-220V-230V-240V)
9	140418	CLAMP UNEX REF 1201	BRIDA UNEX 1201	BRIDE UNEX REF 1201
10	146084	BICR CYL SCREW DIN84 M 4X 10	TOR.CIL.DIN84-4.8 B.TRI.M 4X10	VIS CYL BICR DIN84-4.8 M 4X 10
11	149476	BICR.WASHER B DIN125-ST 4,3	ARAN.B DIN125-ST B.TRI. 4,3	RONDELLE B DIN125-ST BICR.4,3
12	140525	CLAMP 2244-0	BRIDA UNEX 2244-0 *	BRIDE 2244-0



N°	REF	DENOMINATION	DENOMINACIÓN	DENOMINATION
		STEAM HEATING KITS	KITS CALEFACCION VAPOR	KITS CHAUFFAGE VAPEUR
	796144	STEAM HEATING KIT 60HZ (FOR USA AND CANADA ONLY)	KIT CAL.VAPOR 60HZ (SOLO PARA USA Y CANADA)	KIT CHAUFFAGE VAPEUR 60HZ (SEULEMENT POUR USA ET CANADA)
	796136	STEAM HEATING KIT 60HZ (EXCEPT FOR USA AND CANADA)	KIT CAL.VAPOR 60HZ. (EXCEPTO PARA USA Y CANADA)	KIT CHAUFFAGE VAPEUR 60HZ (SAUF POUR USA ET CANADA)
	796128	STEAM HETAING KIT 50HZ	KIT CAL.VAPOR 50HZ.	KIT CHAUFFAGE VAPEUR 50HZ
1	214916	STEAM DISTRIBUTOR	DISTRIBUIDOR VAPOR	DISTRIBUTEUR VAPEUR
2	109777	COPPER GASKET 1/2"	12504 JUNTA COBRE 1/2"	JOINT CUIVRE 1/2"
3	217745	STEAM INLET RACCORD	RACOR ENTRADA VAPOR	RACCORD ENTREE VAPEUR
4	175018	STEAM INLET JOINTING	UNION ENTRADA VAPOR	UNION ENTREE VAPEUR
5	318030	VALVE BODY EVSIS 15 032U3095 (FOR 60 HZ) (COIL NOT INCLUDED)	CUERPO VAL.EVSIS 15 032U3095 (PARA 60 HZ) (NO INCLUYE BOBINA)	CORPS VANNE EVSIS 15 032U3095 (POUR 60 HZ) (NON COMPRIS BOBINE)
	405415	COIL 240V 60HZ (FOR 60 HZ)	BOBINA 240V.60HZ. (PARA 60 HZ)	BOBINE 240V 60HZ (POUR 60 HZ)
	318063	SPARE KIT EVSIS 15 032U3172	KIT REPUES.EVSIS 15 032U3172	KIT RECHANGE EVSIS 15 032U3172
	319558	ELECTROVALVE 032U3005/84 1/2" (FOR 50 HZ) (COIL INCLUDED)	ELECT.032U3005/84 1/2" 220/50* (PARA 50 HZ) (INCLUYE BOBINA)	ELECTROVANNE 032U3005/84 1/2" (POUR 50 HZ) (COMPRIS BOBINE)
	159806	COIL 32K7771 220/50 (FOR 50 HZ)	BOBINA DANFOSS 32K7771 220/50 (PARA 50 HZ)	BOBINE 32K7771 220/50 (POUR 50 HZ)
	318063	SPARE KIT EVSIS 15 032U3172	KIT REPUES.EVSIS 15 032U3172	KIT RECHANGE EVSIS 15 032U3172
6	129999	FIG. 531 1/2" GALV (FOR 50 HZ)	FIGURA 531 DE 1/2" GALV. (PARA 50 HZ)	FIG. 531 1/2" GALV (POUR 50 HZ)
7	277335	STEAM INLET BRACKET	SOPORTE ENTRADA VAPOR	SUPPORT ENTREE VAPEUR
8	133728	THREADED FILTER 1/2" O'3 PN16	FILTRO COLAD. ROSC.1/2"0'3PN16	FILTRE FILETE 1/2" 0,3 PN16
9	166652	BIC.HEX SCREW DIN933-8.8 M8X15	TOR.EX.DIN933-8.8 B.TRI.M 8X15	VIS HEX DIN933-8.8 BICR. M8X15
10	149518	BICR.WASHER B DIN125-ST 8,4	ARAN.B DIN125-ST B.TRI. 8,4	RONDELLE.B DIN125-ST BICR.8,4
11	140319	REDUCER PG 13'5-9	REDUCTOR 130904 PG 13'5-9	REDUCTEUR PG 13'5-9
12	140152	RACCORD PG- 9	RACOR PG- 9 REF.330904	RACCORD PG- 9
14	140228	COUNTERNUT PG-9	TUERCA PG 280904 PG- 9	CONTREECROU PG-9
15	140707	HOSE HELIPLAST NO 9 REF.77009 (1 METER)	TUBO HELIPLAST NO. 9 REF.77009 (1 METRO)	TUBE HELIPLAST NO 9 REF.77009 (1 METRE)

N°	REF	DENOMINATION	DENOMINACIÓN		DENOMINATION
16	140525	CLAMP 2244-0	BRIDA UNEX 2244-0	*	BRIDE 2244-0
17	251355	STEAM INLET SLEEVE (FOR USA AND CANADA ONLY)	MANGUITO ENTRADA VAPOR (SOLO PARA USA Y CANADA)		MANCHON ENTREE VAPEUR (SEULEMENT POUR USA ET CANADA)

N°	REF	DENOMINATION	DENOMINACIÓN	DENOMINATION
		FROM MACHINE Nr:	A PARTIR DE LA MAQUINA No :	A PARTIR DE LA MACHINE NR:
		1.300.428	1.300.428	1.300.428
5	343798	VALVE BODY EVSIS15NPT 032U3692 (FOR 60 HZ) (COIL NOT INCLUDED)	CUERPO VAL.EVSIS15NPT 032U3692 (PARA 60 HZ) (NO INCLUYE BOBINA)	CORPS VANN.EVSIS15NPT 032U3692 (POUR 60 HZ) (NON COMPRIS BOBINE)
	405415	COIL 240V 60HZ (FOR 60 HZ)	BOBINA 240V.60HZ. (PARA 60 HZ)	BOBINE 240V 60HZ (POUR 60 HZ)
	318063	SPARE KIT EVSIS 15 032U3172	KIT REPUES.EVSIS 15 032U3172	KIT RECHANGE EVSIS 15 032U3172
	319558	ELECTROVALVE 032U3005/84 1/2" (FOR 50 HZ) (COIL INCLUDED)	ELECT.032U3005/84 1/2" 220/50* (PARA 50 HZ) (INCLUYE BOBINA)	ELECTROVANNE 032U3005/84 1/2" (POUR 50 HZ) (COMPRIS BOBINE)
	159806	COIL 32K7771 220/50 (FOR 50 HZ)	BOBINA DANFOSS 32K7771 220/50 (PARA 50 HZ)	BOBINE 32K7771 220/50 (POUR 50 HZ)
	318063	SPARE KIT EVSIS 15 032U3172	KIT REPUES.EVSIS 15 032U3172	KIT RECHANGE EVSIS 15 032U3172
18	431809	MALE-FEMALE SLEEVE (FOR 60 HZ)	MANGUITO MACHO-HEMERA (PARA 60 HZ)	MANCHON MALE-FEMELLE (POUR 60 HZ)
19	431825	DOUBLE MALE SLEEVE 1/2" (FOR 60 HZ)	MANGUITO DOBLE MACHO 1/2" (PARA 60 HZ)	MANCHON DOUBLE MALE 1/2" (POUR 60 HZ)