

NOTES TO USE PARTS LIST

ACLARACIONES PARA EL USO DEL DESPIECE

NOTES UTILISATION VUES ECLATEES

Sheets no. 1, 2, 3, 4, 5, 8, 9 & 10:
Are common for all versions.

Las hojas nº1, 2, 3, 4, 5, 8, 9 y 10:
Son comunes a todas las variantes.

Les feuilles no. 1, 2, 3, 4, 5, 8, 9 et 10:
Sont communes à toutes les versions.

Sheet no. 6:
Relates to CM version.

La hoja nº 6:
Corresponde a la variante CM.

La feuille no. 6:
Correspond à la version CM.

Sheet no. 7:
Relates to PM/SM versions.

La hoja nº 7:
Corresponde a las variantes PM/SM.

La feuille no. 7:
Correspond aux versions PM/SM.

Sheet no. 11:
Relates to electrical heated machines.

La hoja nº 11:
Corresponde a las máquinas con calefacción eléctrica.

La feuille no. 11:
Correspond aux machines à chauffage électrique.

Sheet no. 12:
Relates to steam heated machines.

La hoja nº 12:
Corresponde a las máquinas con calefacción a vapor.

La feuille no. 12:
Correspond aux machines à chauffage à vapeur.

VERY IMPORTANT:

Before ordering parts be sure they have not been modified. Check it on modification sheet, after the corresponding sheet.

MUY IMPORTANTE:

Al pedir una pieza cerciorarse antes de que la misma no ha sido modificada. Si lo hubiese sido, estaría situada como hoja de modificaciones, detrás de la hoja correspondiente.

TRES IMPORTANT:

Avant de commander une pièce, s'assurer qu'elle n'a pas été modifiée. Le vérifier sur feuille de modifications, derrière la feuille correspondante.

From
Apartir
Apartir

1250438

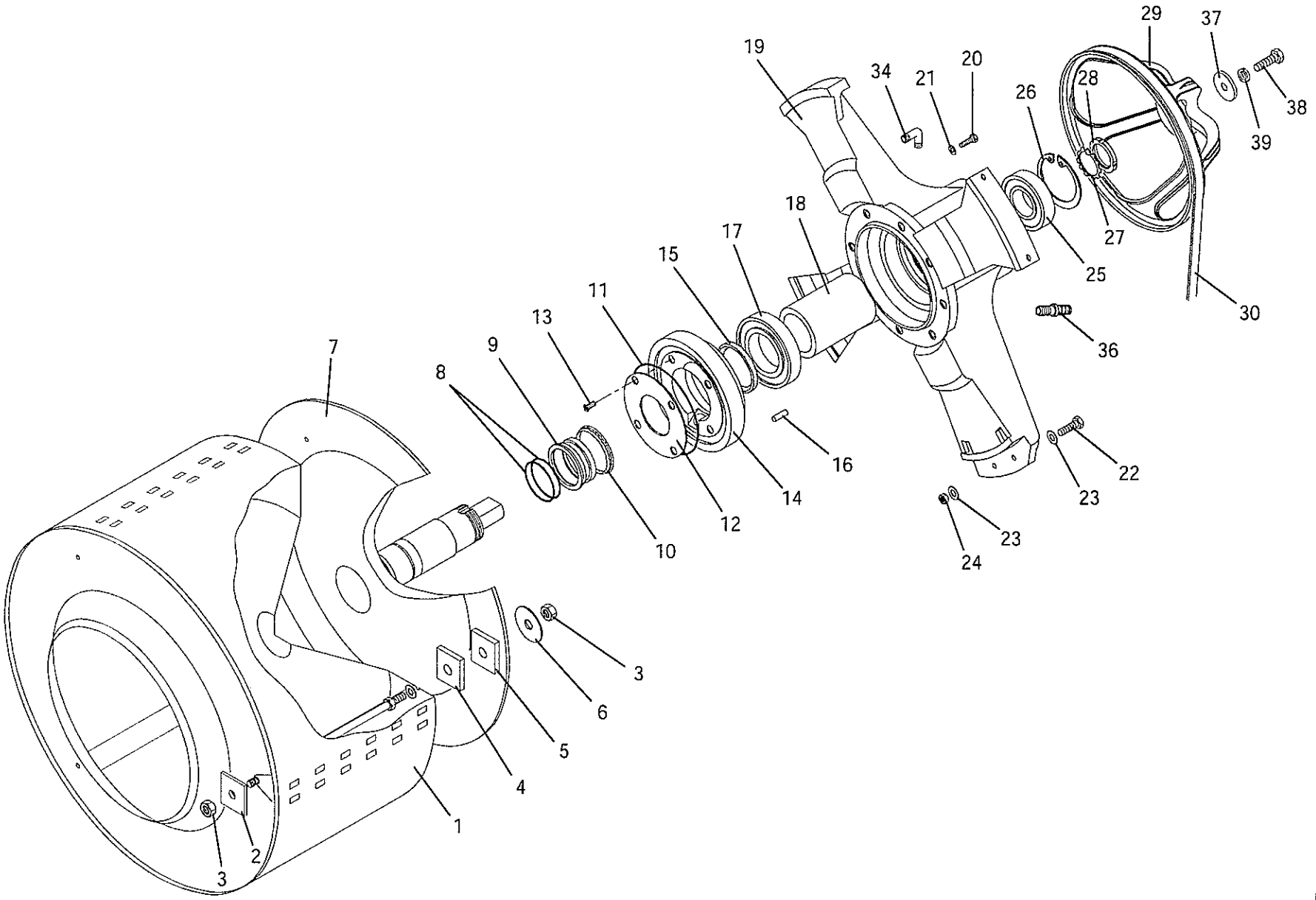
To
Hasta
Jusqu'à

.....

H2030

Cod. nº 407890 B

Rev. nº 00/0603



N°	REF.	DENOMINATION	DENOMINACIÓN	DÉNOMINATION
1	260778 *	BASKET BODY	CUERPO TAMBOR	CORPS TAMBOUR
2	121418	BASKET SHOVEL RENFORT	REFUERZO PALA TAMBOR	REFORT PALETTE TAMBOUR
3	149948	INOX. HEX. NUT DIN 934 M-12	TUER.EX.DIN934 INOX A2-70 M12	ECROU HEX. INOX. DIN 934 M-12
4	121459	BASKET CENTERING PIECE	PIEZA CENTRADO TAMBOR	PIECE CENTRAGE TAMBOUR
5	121467	BASKET CENTERING PIECE	PIEZA CENTRADO TAMBOR	PIECE CENTRAGE TAMBOUR
6	289660	WASHER 54X13X3	ARANDELA 54X13X3 INOX	RONDELLE 54X13X3
7	406017	BASKET COUPLING	ACOPLAMIENTO TAMBOR	ASSAMBLAGE TAMBOUR
8	193995	TORIC GASKET 65X71X3	JUNTA TORICA 65X71X3	JOINT TORIQUE 65X71X3
9	260869	SEAL RING	ANILLO RETENES	BAGUE RESERVES
10	194001	RING V-RING V- 80 A	ANILLO V-RING V- 80 A NBR510	BAGUE V-RING V- 80 A
11	193987	TORIC GASKET 120X132X6	JUNTA TORICA 120X132X6	JOINT TORIQUE 120X132X6
12	260851	SEAL COVER PLATE	PLATINA TAPA RETEN	PLAT COUVERCLE RESERVE
13	192864	ALLEN SCREW INOX DIN7991 M4X12	TOR.AV.ALL.INOX DIN7991M 4X 12	VIS ALLEN INOX DIN7991 M4X 12
14	260752	SEAL COVER	TAPA RETEN	COUVERCLE RESERVE
15	193979	SEAL 80X100X10 BA	RETEN 80X100X10 BA	RESERVE 80X100X10 BA
16	150771	FLEXIBLE PIN DIN1481 D4X15	PASADOR ELASTICO DIN1481 D4X15	GOUJON ELASTIQUE DIN1481 D4X15
17	193961	BEARING NU-213 E	RODAMIENTO NU 213 ECP	ROULEMENT NU-213 E
18	260877	BEARING END-PIECE	TOPE COJINETES	ARRET ROULEMENTS
19	260836	BEARING BOX	CAJA COJINETES	BOITE ROULEMENTS
20	192856	HEX SCREW 8G DIN 933 M 6X 25	TOR.EX.DIN933-8.8 B.TRI.M 6X25	VIS HEX.8G DIN 933 M 6X 25
21	149526	BICR.WASHER B DIN125-ST 6,4	ARAN.B DIN125-ST B.TRI. 6,4	RONDELLE B DIN125-ST BICR.6,4
22	147017	BICR.HEX SCREW DIN933-8 M10X40	TOR.EX.DIN933-8.8 B.TRI.M10X40	VIS HEX DIN933-8,8 BICR.M10X40
23	149500	BICR.WASHER B DIN125-ST 10,5	ARAN.B DIN125-ST B.TRI.10,5	RONDELLE B DIN125-ST BICR.10,5
24	150649	SELFBLOCKING NUT DIN 985 M-10	TUER.AUTOB.DIN985-8 B.TRI.M10	ECROU AUTOBLOCANT DIN 985 M-10
25	128702	BEARING 6312ZZ	RODAMIENTO 6312-2Z	ROULEMENT 6312ZZ
26	131649	FLEXIBLE RING I-130 DIN 472	ANILLO ELASTICO I-130 DIN 472	BAGUE ELASTIQUE I-130 DIN 472
27	262907	LOCKING WASHER	ARANDELA DE CIERRE	RONDELLE FERMETURE
28	193946	FIXING NUT KM-12	TUERCA FIJACION KM-12	ECROU FIXATION KM-12
29	318121	BASKET PULLEY	POLEA TAMBOR L-2630	POULIE TAMBOUR
30	431023	ESTR.BELT 9PJ1524 +3-2	CORREA ESTR.9PJ1524 +3-2	COURROIE ESTR.9PJ1524 +3-2

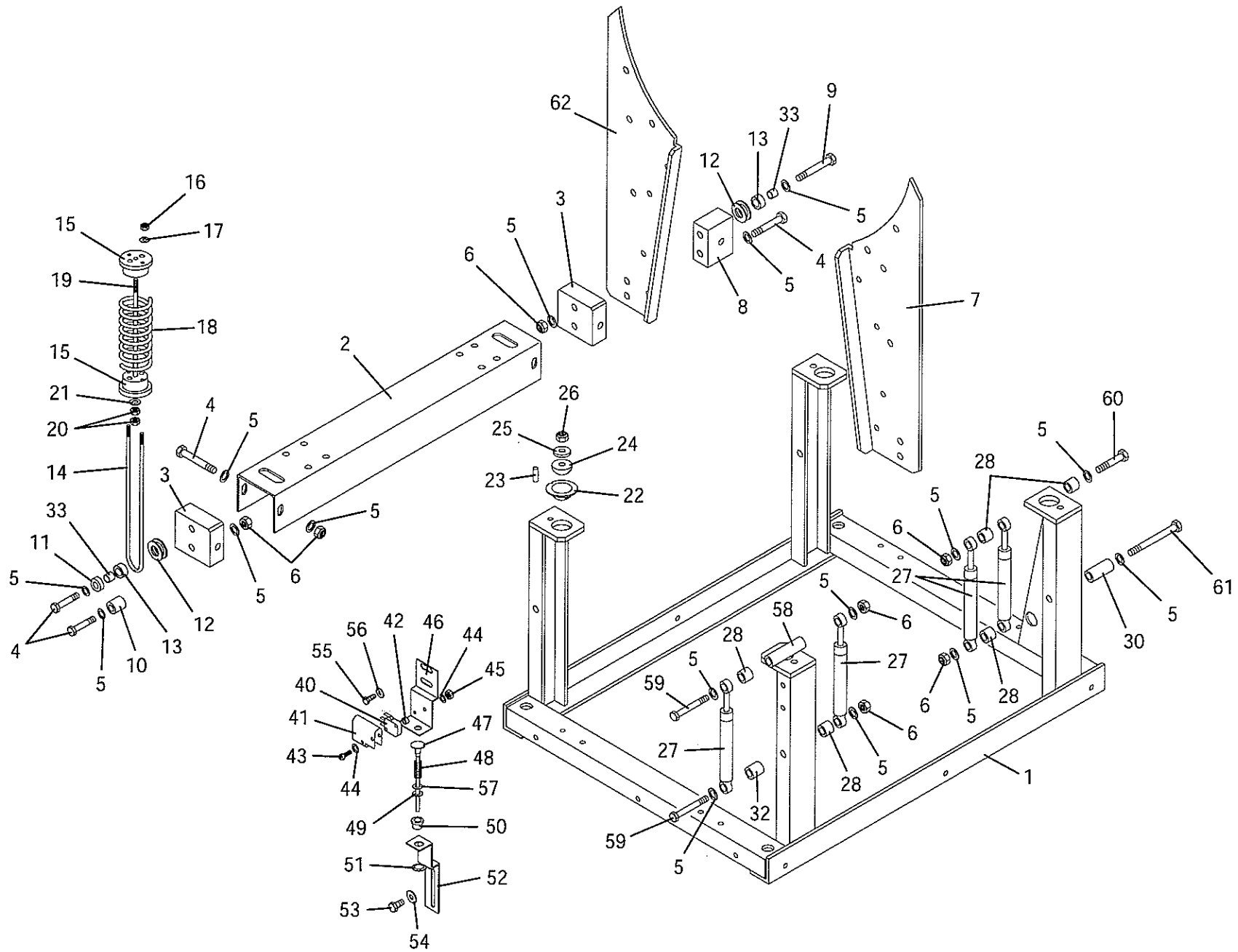
H2030 407890D 1B

N°	REF.	DENOMINATION	DENOMINACIÓN	DÉNOMINATION
34	193904	HOSE ELBOW 3/8" RE. 46602	CODO MANGUERA 3/8" REF.46602	COUDE TUYAU 3/8" REF. 46602
36	262857	BEARING BOX DRAIN	DESAGUE CAJA COJINETES	VIDANGE BOITE ROULEMENTS
37	238048	WASHER D57XD13X6	ARANDELA 57X13X6 TRIVALEN.	RONDELLE D57XD13X6
38	320630	HEX SCREW DIN933-12.9BICR.M12	TOR.EX.DIN933-12.9B.TRI.M12X35	ECROU HEX.DIN933-12.9BICR.M12
39	149823	GROWER WASHER A12 DIN127 BICR.	ARAN.GROWER A12 DIN127 B.TRI.	RONDELLE GROWER A12 DIN127

* 406025 WHOLE BASKET

TAMBOR COMPLETO

TAMBOUR COMPLET



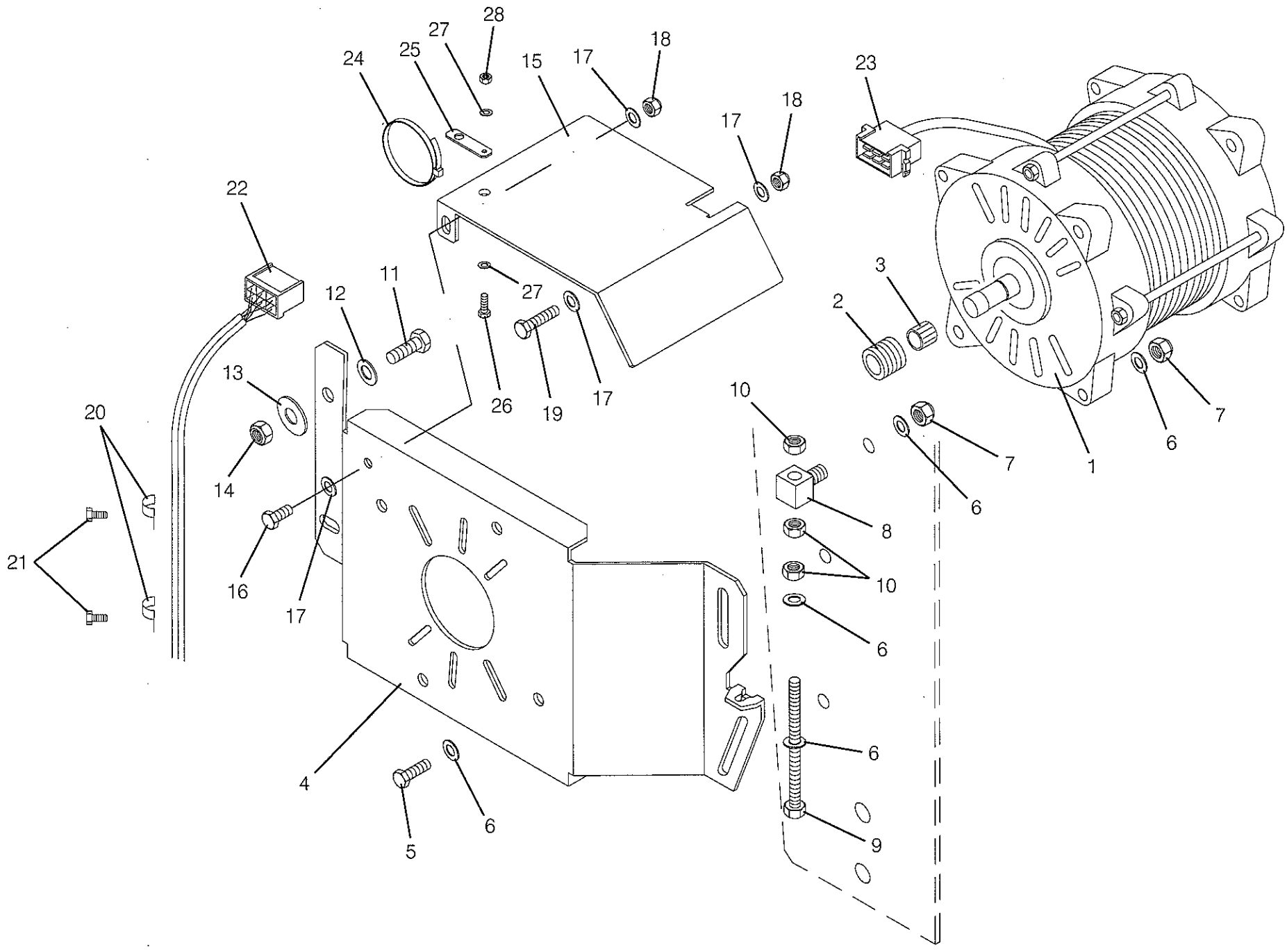
N°	REF.	DENOMINATION	DENOMINACIÓN	DÉNOMINATION
1	406116	CHASSIS	CHASIS	CHASSIS
2	261107	JOINTING PIECE	PIEZA UNION	PIECE UNION
3	261313	SUSPENSION BRACKET	SOPORTE SUSPENSION	SUPPORT SUSPENSION
4	192815	HEX SCREW DIN931-8.8 M-10X100	TOR.EX.DIN931-8.8B.TRI.M10X100	VIS HEX DIN931-8.8 M-10X100
5	149500	BICR.WASHER B DIN125-ST 10,5	ARAN.B DIN125-ST B.TRI.10,5	RONDELLE B DIN125-ST BICR.10,5
6	150649	SELFBLOCKING NUT DIN 985 M-10	TUER.AUTOB.DIN985-8 B.TRI.M10	ECROU AUTOBLOCANT DIN 985 M-10
7	406660	RIGHT SUSPENDED GROUP PIECE	PIEZA GRUPO FLOTANTE DERECHO	PIECE GROUPE SUSPENDU DROIT
8	261321	SUSPENSION BRACKET SUPPLEMENT	SUPLEMENTO SOPORTE SUSPENSION	SUPPLEMENT SUPPORT SUSPENSION
9	192765	HEX SCREW 8G DIN 931 M-10X120	TOR.EX.DIN931-8.8B.TRI.M10X120	VIS HEX 8G DIN 931 M-10X120
10	406926	SEPARATOR D20XD10,5X31	SEPARADOR D20XD10,5X31	SEPARATEUR D20XD10,5X31
11	406918	SEPARATOR D25XD10,5X12	SEPARADOR D25XD10,5X12	SEPARATEUR D25XD10,5X12
12	261024	SUSPENSION SLEEVE	CASQUILLO SUSPENSION	FRETTE SUSPENSION
13	128868	SELFOIL SLEEVE B11A16-20-15	COJ. SELFOIL B11A16-20-15	FRETTE SELFOIL B11A16-20-15
14	261040	SUSPENSION BRACKET	HORQUILLA SUSPENSION	FOURCHETTE SUSPENSION
15	261016	SUSPENSION CLAMP	BRIDA SUSPENSION	BRIDE SUSPENSION
16	176834	SELFBLOCKING NUT DIN985 M-6	TUER.AUTOBL.DIN985-8 B.TRI.M6	ECROU AUTOBLOCANT DIN985 M-6
17	149526	BICR.WASHER B DIN125-ST 6,4	ARAN.B DIN125-ST B.TRI. 6,4	RONDELLE B DIN125-ST BICR.6,4
18	187302 *	SUSPENSION SPRING	MUELLE SUSPENSION	RESSORT SUSPENSION
19	261057	SUSPENSION BAR	VARILLA SUSPENSION	BAGUETTE SUSPENSION
20	150201	BICR.HEX NUT DIN 934-8 M-8	TUER.EX.DIN934-8 B.TRI.M 8	ECROU HEX.DIN 934-8 BICR.M-8
21	149518	BICR.WASHER B DIN125-ST 8,4	ARAN.B DIN125-ST B.TRI. 8,4	RONDELLE.B DIN125-ST BICR.8,4
22	260984	HINGE-JOINT BRACKET	SOPORTE ROTULA	SUPPORT ROTULE
23	150771	FLEXIBLE PIN DIN1481 D4X15	PASADOR ELASTICO DIN1481 D4X15	GOUJON ELASTIQUE DIN1481 D4X15
24	189449	HINGE-JOINT	ROTULA	ROTULE
25	261529	WASHER 25X8,5X4	ARANDELA 25X8.5X4 TRIVALEN.	RONDELLE 25X8,5X4
26	164285	SELFBLOCKING NUT DIN985 M-8	TUER.AUTOBL.DIN985-8 B.TRI.M8	ECROU AUTOBLOCANT DIN985 M-8
27	193912	SHOCK-ABSORBER 154020011323	AMORT.FRICC.154020011323 120N	AMORTISSEUR 154020011323
28	261644	SEPARATOR 25X10,5X10	SEPARADOR 25X10,5X10	SEPARATEUR 25X10,5X10
30	261669	SEPARATOR 25X10,5X41,5	SEPARADOR 25X10,5X41,5	SEPARATEUR 25X10,5X41,5
32	261651	SEPARATOR 25X10,5X17,5	SEPARADOR 25X10,5X17,5	SEPARATEUR 25X10,5X17,5

N°	REF.	DENOMINATION	DENOMINACIÓN	DÉNOMINATION
33	261586	INTERMEDIATE SLEEVE	CASQUILLO INTERMEDIO	FRETTE MOYENNE
40	197046	MINISWITCH 83161.344 I W3	MINIRRUPTOR 83161.344 I W3	MINIRRUPTEUR 83161.344 I W3
41	281113	MICROSWITCH ISOLATION	AISLANTE MICRORRUPTOR	ISOLANT MICRORRUPTEUR
42	175364	PLASTIC SEPARATOR 6MM SP78/10	SEPARADOR PLASTICO 6MM.SP78/10	SEPARATEUR PLASTIQUE 6MM
43	302554	CYL.BICR.SCREW DIN84-4.8 M3X25	TOR.CIL.DIN84-4.8 B.TRI.M 3X25	VIS.CYL DIN84-4.8 BICR M 3X25
44	149484	BICR.WASHER B DIN125-ST 3,2	ARAN.B DIN125-ST B.TRI. 3,2	RONDELLE B.DIN125-ST BICR. 3,2
45	149906	INOX. HEX. NUT DIN 934 M-3	TUER.EX.DIN934 INOX A2-70 M 3	ECROU HEX. INOX DIN934 M-3
46	261784	MICROSWITCH DRIVE BRACKET	SOPORTE ACCIONADOR MICRORRUP.	SUPPORT ACTIONNEMENT MICRORRUP
47	189407	MICROSWITCH DRIVE	ACCIONADOR MICRORRUPTOR	ACCIONNEMENT MICRORRUPTEUR
48	189399	MICROSWITCH DRIVE SPRING	MUELLE ACCIONADOR MICRORRUPTOR	RESSORT ACTIONNEMENT MICRORRUP
49	147918	QUICK FIXING 211039-6	SUJEC.RAPIDA MIKALOR 211039-6	FIXATION RAPIDE 211039-6
50	119305	MICROSWITCH DRIVE SLEEVE	CASQUILLO ACCIONADOR MICRORRUP	FRETTE ACTIONNEMENT MICROR.
51	134924	QUICK FIXING 2110441	SUJEC.RAPIDA MIKALOR 211044-1	FIXATION RAPIDE 2110441
52	261958	MICROSWITCH DRIVE END-PIECE	TOPE ACCIONADOR MICRORRUPTOR	ARRET ACTIONNEMENT MICRORRUPT
53	146233	BICR.HEX SCREW DIN933-8 M6X15	TOR.EX.DIN933-8.8 B.TRI.M 6X15	VIS HEX DIN933-8.8 BICR.M6X15
54	115758	WASHER 20X7X2	ARANDELA 20X7X2 INOX	RONDELLE 20X7X2
55	146258	BIC.HEX SCREW DIN933-4.8 M4X10	TOR.EX.DIN933-4.8 B.TRI.M 4X10	VIS HEX DIN933-4.8 BICR.M 4X10
56	149476	BICR.WASHER B DIN125-ST 4,3	ARAN.B DIN125-ST B.TRI. 4,3	RONDELLE B DIN125-ST BICR.4,3
57	149534	BICR.WASHER B DIN125-ST 5,3	ARAN.B DIN125-ST B.TRI. 5,3	RONDELLE B BICR.DIN125-ST 5,3
58	406934	SEPARATOR D25XD10,5X61,5	SEPARADOR D25XD10,5X61,5	SEPARATEUR D25XD10,5X61,5
59	305672	BICR HEX SCREW DIN931 M10X160	TOR.EX.DIN931-8.8B.TRI.M10X160	VIS HEX DIN931-8.BICR.M10X160
60	191858	HEX. SCREW 8G DIN931 M10X90	TOR.EX.DIN931-8.8 B.TRI.M10X90	VIS HEX. 8G DIN931 M10X90
61	305680	BIC.HEX SCREW DIN933 M10X180	TOR.EX.DIN931-8.8B.TRI.M10X180	VIS HEX DIN933 BICR.M10X180
62	407361	LEFT SUSPENDEED GROUP PIECE	PIEZA GRUPO FLOTANTE IZQUIERDO	PIECE GROUPE SUSPENDU GAUCHE

* 261065 SUSPENSION SET

CONJUNTO SUSPENSION (COMPLETO)

ENSEMBLE SUSPENSION



U.15382

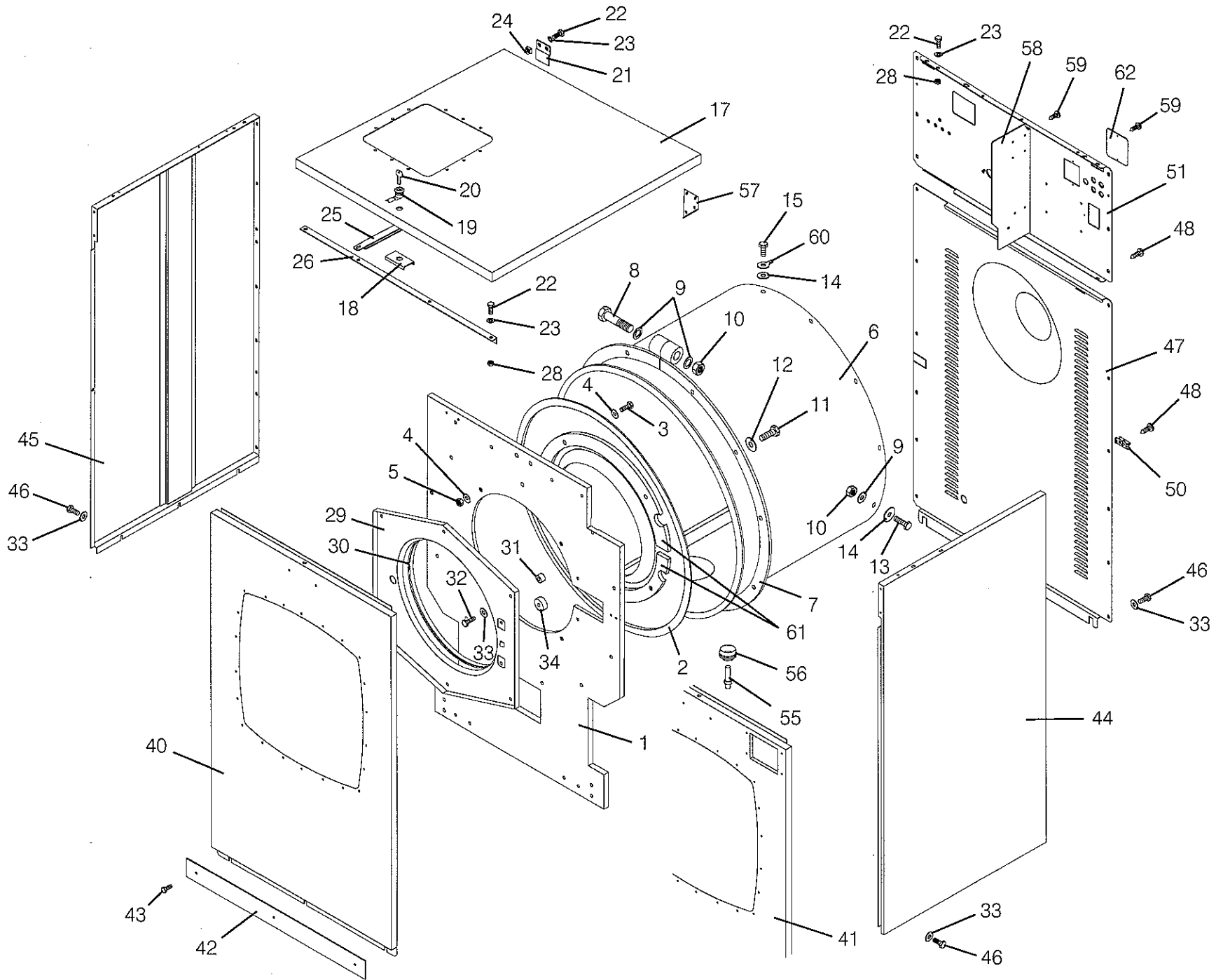
H2030

3

N°	REF.	DENOMINATION	DENOMINACIÓN	DÉNOMINATION
1	320051	MOTOR MT 80-90/2 III 220-60 (PULLEY INCLUDED)	MOTOR MT 80-90/2 III 220-60 (INCLUYE POLEA)	MOTEUR MT 80-90/2 III 220-60 (COMPRIS POULIE)
	128587	BEARING 6205 2Z QE6 (COUPLING SIDE)	RODAMIENTO 6205-2Z (LADO ACOPLE)	ROULEMENT 6205 2Z QE6 (COTE COUPLAGE)
	320713	BEARING 6204-2Z C3 (FAN SIDE)	RODAMIENTO 6204-2Z/C3 (LADO VENTILADOR)	ROULEMENT 6204-2Z C3 (CÔTE VENTILATEUR)
2	320689	MOTOR PULLEY	POLEA MOTOR	POULIE MOTEUR
3	320671	TOLER.STAR RING 0820-024-01	ANILLO TOLER.STAR 0820-024-01	BAGUE TOLER.STAR 0820-024-01
4	406686	MOTOR BRACKET	SOPORTE MOTOR	SUPPORT MOTEUR
5	181867	HEX SCREW DIN933 M8X40	TOR.EX.DIN933-8.8 B.TRI.M 8X40	VIS HEX DIN933 M8X40
6	149518	BICR.WASHER B DIN125-ST 8,4	ARAN.B DIN125-ST B.TRI. 8,4	RONDELLE.B DIN125-ST BICR.8,4
7	164285	SELFBLOCKING NUT DIN985 M-8	TUER.AUTOBL.DIN985-8 B.TRI.M8	ECROU AUTOBLOCANT DIN985 M-8
8	261578	TIGHTENER BRACKET	SOPORTE TENSOR	SUPPORT TENDEUR
9	146464	BICR.HEX SCREW DIN933-8 M8X100	TOR.EX.DIN933-8.8 B.TRI.M8X100	VIS HEX BICR.DIN933-8 M 8X100
10	150201	BICR.HEX NUT DIN 934-8 M-8	TUER.EX.DIN934-8 B.TRI.M 8	ECROU HEX.DIN 934-8 BICR.M-8
11	146977	HEX SCREW 8G DIN 933 M-10X35	TOR.EX.DIN933-8.8 B.TRI.M10X35	VIS HEX 8G DIN 933 M-10X35
12	149500	BICR.WASHER B DIN125-ST 10,5	ARAN.B DIN125-ST B.TRI.10,5	RONDELLE B DIN125-ST BICR.10,5
13	115428	WASHER 30X10,5X3	ARANDELA 30X10,5X3 TRIVALEN.	RONDELLE 30X10,5X3
14	150649	SELFBLOCKING NUT DIN 985 M-10	TUER.AUTOB.DIN985-8 B.TRI.M10	ECROU AUTOBLOCANT DIN 985 M-10
15	406827	MOTOR PROTECTION LID	TAPA PROTECCION MOTOR	COUVERCLE PROTECTION MOTEUR
16	146316	BICR.HEX SCREW DIN933-8 M-6X20	TOR.EX.DIN933-8.8 B.TRI.M 6X20	VIX HEX BICR.DIN933-8.8 M-6X20
17	149526	BICR.WASHER B DIN125-ST 6,4	ARAN.B DIN125-ST B.TRI. 6,4	RONDELLE B DIN125-ST BICR.6,4
18	176834	SELFBLOCKING NUT DIN985 M-6	TUER.AUTOBL.DIN985-8 B.TRI.M6	ECROU AUTOBLOCANT DIN985 M-6
19	146332	BIC HEX SCREW DIN933-8.8 M6X30	TOR.EX.DIN933-8.8 B.TRI.M 6X30	VIS HEX DIN933-8.8 BICR.M 6X30
20	198507	FIXING CLAMP 1X 8 DIN 72571	ABRAZ.FIJACION 1X 8 DIN 72571	BRIDE FIXATION 1X 8 DIN 72571
21	183400	CYL.PLATE SCREW ST-4 20 C/AL	TOR.CHAPA ST-4 20 C/AL.T25	VIS PLAQUE CYL.ST-4 20 C/AL
22	139170	PLUG 180904-0	CONECTOR 180904-0	CONNECTEUR 180904-0
23	139303	PLUG 180948-0	CONECTOR 180906-0	CONNECTEUR 180948-0
24	140525	CLAMP 2244-0	BRIDA UNEX 2244-0	BRIDE 2244-0
25	431452	PRESSOSTAT HOSE BRACKET	SOPORTE TUBO PRESOSTATO	SUPPORT TUBE PRESSOSTAT
26	146258	BIC.HEX SCREW DIN933-4.8 M4X10	TOR.EX.DIN933-4.8 B.TRI.M 4X10	VIS HEX DIN933-4.8 BICR.M 4X10

H2030 407890D 3B

N°	REF.	DENOMINATION	DENOMINACIÓN	DÉNOMINATION
27	149476	BICR.WASHER B DIN125-ST 4,3	ARAN.B DIN125-ST B.TRI. 4,3	RONDELLE B DIN125-ST BICR.4,3
28	132043	SELFBLOCKING NUT DIN985 M 4	TUER.AUTOBL.DIN985-8 B.TRI.M 4	ECROU AUTOBLOCANT DIN985 M 4

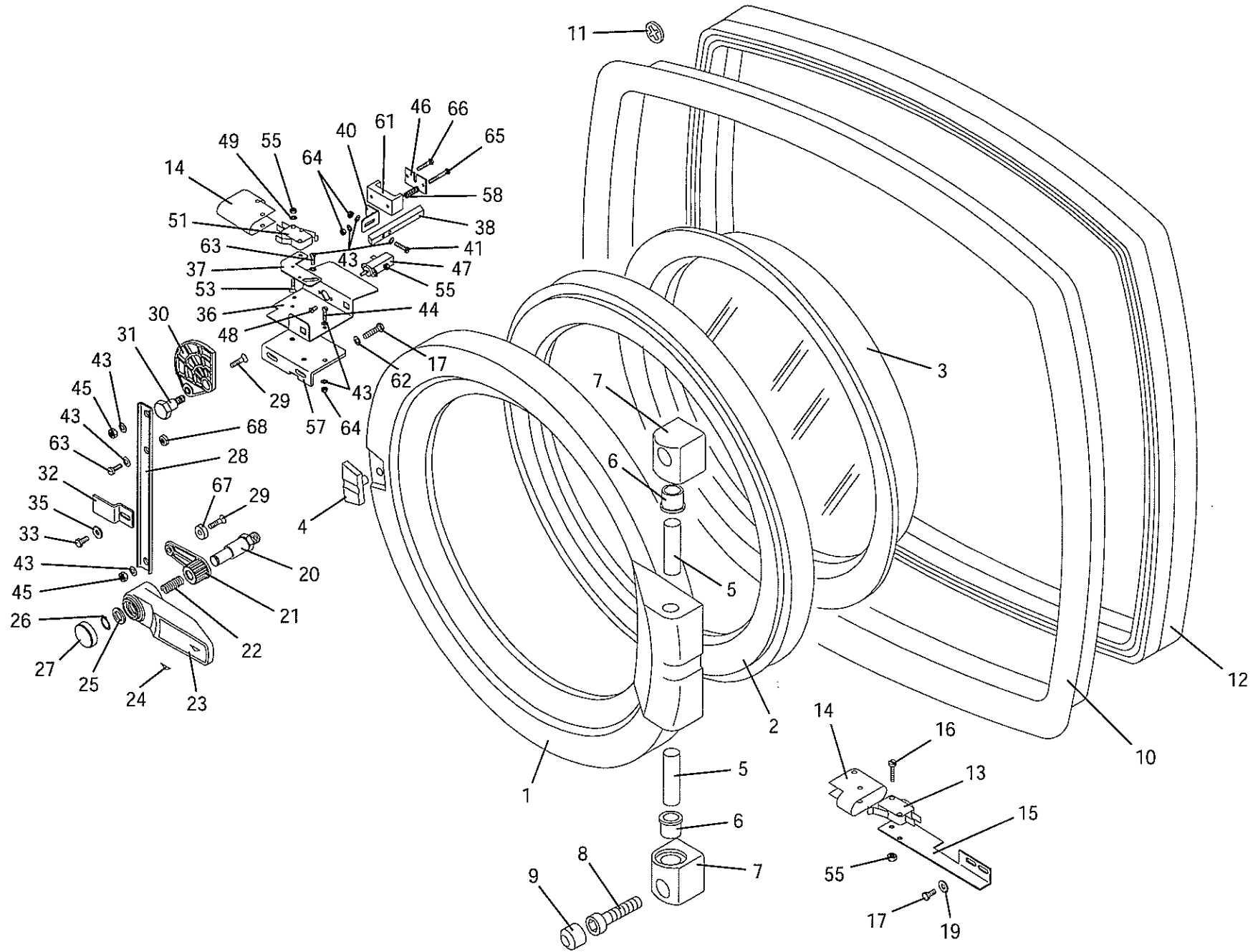


N°	REF.	DENOMINATION	DENOMINACIÓN	DÉNOMINATION
1	406140	FRONT PLATE	PLACA FRONTAL	PLAQUE FRONTALE
2	260927	OUTER-DRUM FRONT PANEL	FRONTAL ENVOLVENTE	FRONTAL CUVE
3	144923	INOX HEX.SCREW DIN 933 M-6X20	TOR.EX.DIN933INOX A2-70 M 6X20	VIS HEX INOX DIN 933 M-6X20
4	149310	INOX.A2 WASHER DIN125 6,4	ARAN. DIN125 INOX A2 6,4	RONDELLE INOX.A2 DIN125 6,4
5	176834	SELFBLOCKING NUT DIN985 M-6	TUER.AUTOBL.DIN985-8 B.TRI.M6	ECROU AUTOBLOCANT DIN985 M-6
6	409839	OUTER-DRUM	ENVOLVENTE	CUVE
7	260976	OUTER-DRUM FIXING RING	ARO FIJACION ENVOLVENTE	BAGUE FIXATION CUVE
8	175737	HEX SCREW 8G DIN 931 M-10X80	TOR.EX.DIN931-8.8 B.TRI.M10X80	VIS HEX 8G DIN 931 M-10X80
9	149500	BICR.WASHER B DIN125-ST 10,5	ARAN.B DIN125-ST B.TRI.10,5	RONDELLE B DIN125-ST BICR.10,5
10	150649	SELFBLOCKING NUT DIN 985 M-10	TUER.AUTOB.DIN985-8 B.TRI.M10	ECROU AUTOBLOCANT DIN 985 M-10
11	192831	BICR.HEX SCREW DIN 933-8 M8X30	TOR.EX.DIN933-8.8 B.TRI.M 8X30	VIS HEX DIN 933-8,8 BIC.M8X30
12	261529	WASHER 25X8,5X4	ARANDELA 25X8.5X4 TRIVALEN.	RONDELLE 25X8,5X4
13	147017	BICR.HEX SCREW DIN933-8 M10X40	TOR.EX.DIN933-8.8 B.TRI.M10X40	VIS HEX DIN933-8,8 BICR.M10X40
14	217133	WASHER 27X10X3	ARANDELA 27X10.3X3 INOX	RONDELLE 27X10X3
15	147009	HEX SCREW 8G DIN 933 M-10X25	TOR.EX.DIN933-8.8 B.TRI.M10X25	VIS HEX. DIN 933 M-10X25 8G
17	409888	UPPER LID	TAPA SUPERIOR	COUVERCLE SUPERIEURE
18	242115	UPPER COVER RENFORT	REFUERZO TAPA SUPERIOR	REFORT COUVERCLE SUPERIEUR
19	196915	LOCK RE.20.00.02.05	CERRADURA REF.20.00.02.05	FERMETURE REF.20.00.02.05
20	196923	LOCK KEY RE.10.41.213	LLAVE REF.10.41.213 COMB.T-205	CLE FERMETURE REF.10.41.213
21	261354	TOP COVER HINGE	BISAGRA TAPA SUPERIOR	CHARNIERE COUVERCLE SUPERIEUR
22	146233	BICR.HEX SCREW DIN933-8 M6X15	TOR.EX.DIN933-8.8 B.TRI.M 6X15	VIS HEX DIN933-8.8 BICR.M6X15
23	149526	BICR.WASHER B DIN125-ST 6,4	ARAN.B DIN125-ST B.TRI. 6,4	RONDELLE B DIN125-ST BICR.6,4
24	165019	CAGED NUT M-6 0,5-1,5	TUER.ENJ.M6 0,5-1,5 R.310007-9	ECROU PRESIONER M-6 0,5-1,5
25	411421	LANE ANGLE	ANGULO LONGITUDINAL	ANGLE LONGITUDINAL
26	406256	LANE ANGLE	ANGULO TRANSVERSAL	ANGLE TRANSVERSAL
28	150227	BICR HEX NUT DIN934-8 M6	TUER.EX.DIN934-8 B.TRI.M 6	ECROU HEX DIN934-8 BICR.M6
29	192591	FRONT PLATE COVER	TAPA PLACA FRONTAL	COUVERCLE PLAQUE FRONTAL
30	165472	ETHILENE-PROP. PROFILE (1 METER)	PERFIL ETILENO-PROP.REF.44117L (1 METRO)	PROFILE ETHILENE-PROP. (1 METRE)
31	261370	SEPARATOR 20X 7X16,5	SEPARADOR 20X 7X16,5	SEPARATEUR 20X 7X16,5

N°	REF.	DENOMINATION	DENOMINACIÓN	DÉNOMINATION
32	144972	INOX HEX SCREW DIN 933 M 6X30	TOR.EX.DIN933INOX A2-70 M 6X30	VIS HEX INOX DIN 933 M 6X30
33	115758	WASHER 20X7X2	ARANDELA 20X7X2 INOX	RONDELLE 20X7X2
34	261388	SEPARATOR 35X11X14	SEPARADOR 35X11X14	SEPARATEUR 35X11X14
40	406595	INOX FRONT PANEL (INOX)	TAPA FRONTAL INOX S-P-C(SIM) (INOX)	COUVERCLE FRONTAL INOX (INOX)
	406868	GREY FRONT PANEL (GREY PAINTED)	TAPA FRONTAL GRIS S-P-C(SIM) (PINTADA GRIS)	COUVERCLE FRONTAL GRIS (PEINTE GRIS)
	406850	RED FRONT PANEL S-P-C(SIM) (RED PAINTED)	TAPA FRONTAL ROJO S-P-C(SIM) (PINTADA ROJA)	COUVERCLE FRONTAL ROUGE S-P-C (PEINTE ROUGE)
41	406637	INOX FRONT PANEL (INOX)	TAPA FRONTAL INOX C(COM) (INOX)	COUVERCLE FRONTAL INOX (INOX)
	406900	GREY FRONT PANEL (GREY PAINTED)	TAPA FRONTAL GRIS C(COM) (PINTADA GRIS)	COUVERCLE FRONTAL GRIS (PEINTE GRIS)
	406892	RED FRONT PANEL C(COM) (RED PAINTED)	TAPA FRONTAL ROJO C(COM) (PINTADA ROJA)	COUVERCLE FRONTAL ROUGE C(COM) (PEINTE ROUGE)
42	261214	TOE PLATE	ZOCALO	SOCLE
43	144337	ALLEN SCREW DIN912 M 6X15	TOR.ALLDIN912-8.8 B.TRI.M 6X15	VIS ALLEN DIN912 M 6X15
44	407577	RIGHT SIDE PANEL (INOX)	TAPA LATERAL DERECHA (INOX)	COUVERCLE LATERAL DROIT (INOX)
	407551	RIGHT SIDE PANEL (PAINTED)	TAPA LATERAL DERECHA (PINTADA)	COUVERCLE LATERAL DROIT (PEINT)
45	407585	LEFT SIDE PANEL (INOX)	TAPA LATERAL IZQUIERDA (INOX)	COUVERCLE LATERAL GAUCHE (INOX)
	407569	LEFT SIDE PANEL (PAINTED)	TAPA LATERAL IZQUIERDA (PINTADA)	COUVERCLE LATERAL GAUCHE (PEINT)
46	144881	INOX HEX SCREW DIN933 M 6X16	TOR.EX.DIN933INOX A2-70 M 6X16	VIS HEX INOX DIN933 M 6X16
47	289884	REAR PANEL	TAPA POSTERIOR	COUVERCLE ARRIERE
48	149153	PLATE SCREW ST-4 80 C/AL.T25	TOR.CHAPA ST-4 80 C/AL.T25	VIS PLAQUE ST-4 80 C/AL.T25
50	135228	NUT NUL 506-2A REF. 213048-1	TUERCA SEG.NUL 506-2B 213048-1	ECROU NUL 506-2A REF. 213048-1
51	409821	REAR PANEL	PANEL POSTERIOR	COUVERCLE ARRIERE
55	193862	NTC RESISTANCE 2381 640 90042	RESISTENCIA NTC 2381 640 90042	RESISTANCE NTC 2381 640 90042
56	256149	SENSOR SHEATH LODGING	PASAMUROS SENSOR	LOGEMENT SENSEUR
57	406298	PANEL FIXING RENFORT	REFUERZO FIJACION TAPAS	REFORT FIXATION COUVERCLES
58	410787	ELECTRICAL COMPONENTS BRACKET	SOPORTE COMPONENTES ELECTRICOS	SUPPORT PIECES ELECTRIQUES
59	183400	CYL.PLATE SCREW ST-4 20 C/AL	TOR.CHAPA ST-4 20 C/AL.T25	VIS PLAQUE CYL.ST-4 20 C/AL

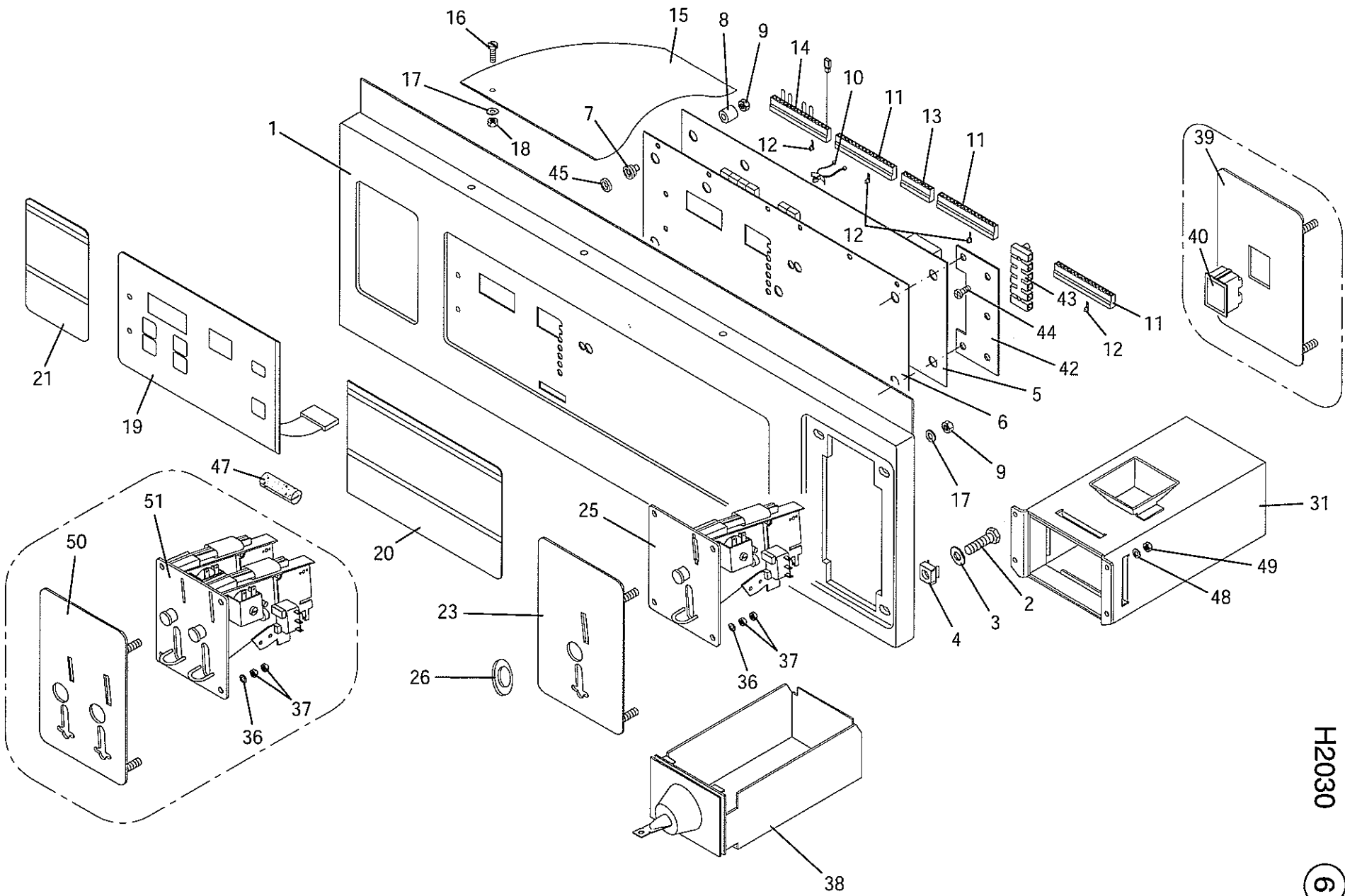
H2030 407890D 4C

N°	REF.	DENOMINATION	DENOMINACIÓN	DÉNOMINATION
60	280842	EARTH INTAKE	TOMA DE TIERRA	PRISE TERRE
61	407064	FRONT CIRCULAR SUPPLEMENT	SUPLEMENTO CIRCULAR FRONTAL	SUPPLEMENT CIRCULAIRE FRONTAL
62	408948	DOSING CONNECTION LID	TAPA CONEXIONES DOSIFICACION	COUVERCLE CONNECTIONS DOSAGE



N°	REF.	DENOMINATION	DENOMINACIÓN	DÉNOMINATION
1	260935 *	DOOR	ESCOTILLA	HUBLLOT
2	187146	DOOR GASKET	JUNTA ESCOTILLA	JOINT HUBLLOT
3	187153	SPYHOLE	MIRILLA	VITRE
4	189555	DOOR PIECE	PIEZA ESCOTILLA	PIECE HUBLLOT
5	261156	DOOR BOLT	BULON ESCOTILLA	BOULON HUBLLOT
6	128827	SELFOIL SLEEVE B11B12-17-15/22	COJ. SELFOIL B11B12-17-15/22-3	FRETTE SELFOIL B11B12-17-15/22
7	261131	HINGE	BISAGRA	CHARNIERE
8	192781	ALLEN SCREW DIN 912 M-10X45	TOR.ALLDIN912-8.8 B.TRI.M10X45	VIS ALLEN DIN 912 M-10X45
9	189506	HINGE STOPPER	TAPON CHARNELA	BOUCHON CHARNIERE
10	189571	FRONT FRAME	MARCO FRONTAL	CADRE FRONTAL
11	193540	MIKALOR QUICK FIXING 211038-8	SUJEC.RAPIDA MIKALOR 211038-8	FIXATION RAPIDE MIKALOR
12	261149	FRONT FRAME PROFILE	PERFIL MARCO FRONTAL	PROFILE CADRE FRONTAL
13	279760	MICROSWITCH	MINIRRUPTOR	MICRORRUPTEUR
14	281113	MICROSWITCH ISOLATION	AISLANTE MICRORRUPTOR	ISOLANT MICRORRUPTEUR
15	281204	MICROSWITH BRACKET	SOPORTE MICRORRUPTOR	SUPPORT MICRORRUPTEUR
16	146043	BIC CYL SCREW DIN84-4,8 M3X16	TOR.CIL.DIN84-4.8 B.TRI.M 3X16	VIS CYL DIN84-4,8 BICR.M3X16
17	146282	BICR.HEX SCREW DIN933-8 M 5X15	TOR.EX.DIN933-8.8 B.TRI.M 5X15	VIS HEX BICR.DIN933-8.8 M 5X15
19	149534	BICR.WASHER B DIN125-ST 5,3	ARAN.B DIN125-ST B.TRI. 5,3	RONDELLE B BICR.DIN125-ST 5,3
20	261404	LOCKING SHAFT	EJE CIERRE	AXE FERMETURE
21	194175	LOCKING LEVER	PALANCA CIERRE	LEVIER FERMETURE
22	187401	LOCKING HANDLE SPRING	MUELLE MANECILLA CIERRE	RESSORT POIGNEE FERMETURE
23	189985	KNOB	EMPUÑADURA	POIGNEE
24	193599	KNOB PLATE	PLACA EMPUÑADURA	PLAQUE POIGNEE
25	193680	ADJUSTING WASHER PS10X16X0,5	ARAN.AJUSTE PS10X16X0,5 DIN988	RONDELLE REGLAGE PS10X16X0,5
26	149583	SAFETY WASHER 7 DIN 6799	ARANDELA SEGURIDAD 7 DIN 6799	RONDELLE SECURITE 7 DIN 6799
27	189993	KNOB STOPPER	TAPON EMPUÑADURA	BOUCHON POIGNEE
28	261396	JOINT PLATE	PLETINA ARTICULACION	PLAT ARTICULATION
29	305755	BICR.AV SCREW DIN963-4.8 M4X16	TOR.AV.DIN963-4.8B.TRI. M 4X16	VIS AV DIN963-4.8 BICR.M 4X 16
30	194183	BLOCKING SEMI-DISK	SEMI-DISCO	DEMI-DISQUE BLOCAGE
31	262865	SEMI-DISK BOLT	BULON SEMI-DISCO	BOULON DEMI-DISQUE

N°	REF.	DENOMINATION	DENOMINACIÓN	DÉNOMINATION
32	263772	END PIECE	PIEZA TOPE	PIECE ARRET
33	146233	BICR.HEX SCREW DIN933-8 M6X15	TOR.EX.DIN933-8.8 B.TRI.M 6X15	VIS HEX DIN933-8.8 BICR.M6X15
35	149526	BICR.WASHER B DIN125-ST 6,4	ARAN.B DIN125-ST B.TRI. 6,4	RONDELLE B DIN125-ST BICR.6,4
36	407080 +	LOCK BOX COVER	ENVOLVENTE CAJA CIERRE	CUVE BOITE FERMETURE
37	281048	MICROSWITCH FISING BRACKET	SOPORTE FIJACION MICRORRUPTOR	SUPPORT FIXATION MICRORRUPTEUR
38	302000	LOCKING SLIDER	CORREDERA CIERRE	COULISSE FERMETURE
40	281055	SLIDING JOINTING	UNION CORREDERA	UNION COULISSE
41	146100	BICR CYL SCREW DIN 84 M-4X20	TOR.CIL.DIN84-4.8 B.TRI.M 4X20	VIS CYL BICR DIN 84-4.8 M 4X20
43	149476	BICR.WASHER B DIN125-ST 4,3	ARAN.B DIN125-ST B.TRI. 4,3	RONDELLE B DIN125-ST BICR.4,3
44	146092	BICR CYLD SCREW DIN84 M 4X 16	TOR.CIL.DIN84-4.8 B.TRI.M 4X16	VIS CYL BICR DIN84-4.8 M 4X 16
45	132043	SELFBLOCKING NUT DIN985 M 4	TUER.AUTOBL.DIN985-8 B.TRI.M 4	ECROU AUTOBLOCANT DIN985 M 4
46	280891	SLIDING BLOCKING PIECE	PIEZA BLOQUEADOR DESLIZANTE	PIECE BLOQUEUR COULISSANT
47	196774	THERMO-ACTUATOR 100331 15	TERMOACTUADOR 100331.15 NTA 6	THERMO-ACTIONNEMENT 100331 15
48	147561	SCREW DIN963-4.8 M 3X 7	TOR.AV.DIN963-4.8 B.TRI.M 3X 7	VIS DIN963-4.8 BICR M 3X 7
49	149484	BICR.WASHER B DIN125-ST 3,2	ARAN.B DIN125-ST B.TRI. 3,2	RONDELLE B.DIN125-ST BICR. 3,2
51	279760	MICROSWITCH	MINIRRUPTOR	MICRORRUPTEUR
53	303131	BICR.SCREW DIN963-4.8 M 3X 20	TOR.AV.DIN963-4.8B.TRI. M 3X20	VIS.T/FRAIS DIN963-4.8 B.M3X20
55	149906	INOX. HEX. NUT DIN 934 M-3	TUER.EX.DIN934 INOX A2-70 M 3	ECROU HEX. INOX DIN934 M-3
57	407049	LOCK BOX BRACKET	SOPORTE CAJA CIERRE	SUPPORT BOITE FERMETURE
58	198069	SPRING	MUELLE COMPENSADOR	RESSORT
61	272575	SLIDING BLOCKER	BLOQUEADOR DESLIZANTE	BLOQUEUR COULISSANT
62	160838	WASHER 14X6X1,5	ARANDELA 14X6X1.5 INOX	RONDELLE 14X6X1,5
63	146076	BICR ROUND SCREW DIN84 M 4X 8	TOR.CIL.DIN84-4.8 B.TRI.M 4X 8	VIS ROND BICR DIN84-4.8 M 4X 8
64	150185	BICR.HEX.NUT DIN934-8 M4	TUER.EX.DIN934-8 B.TRI.M 4	ECROU HEX.DIN934-8 BICR.M4
65	198051	BICR HEX SCREW DIN931-8.M4X35	TOR.EX.DIN931-4.8 B.TRI.M 4X35	VIS HEX BICR.DIN931-8.8 M 4X35
66	278622	SLIDING BLOCKING SCREW	TORNILLO BLOQUEADOR DESLIZANTE	VIS BLOQUEUR COULISSANT
67	288316	END PIECE	TOPE PASANTE	ARRET
68	288308	END PIECE	TOPE ROSCADO	ARRET
*	260943	COMPLETE DOOR	ESCOTILLA COMPLETA	HUBLOT COMPLET
+	407098	COMPLETE LOCKING BOX	CAJA CIERRE COMPLETA	BOITE FERMETURE COMPLETE



U.15385

H2030

6

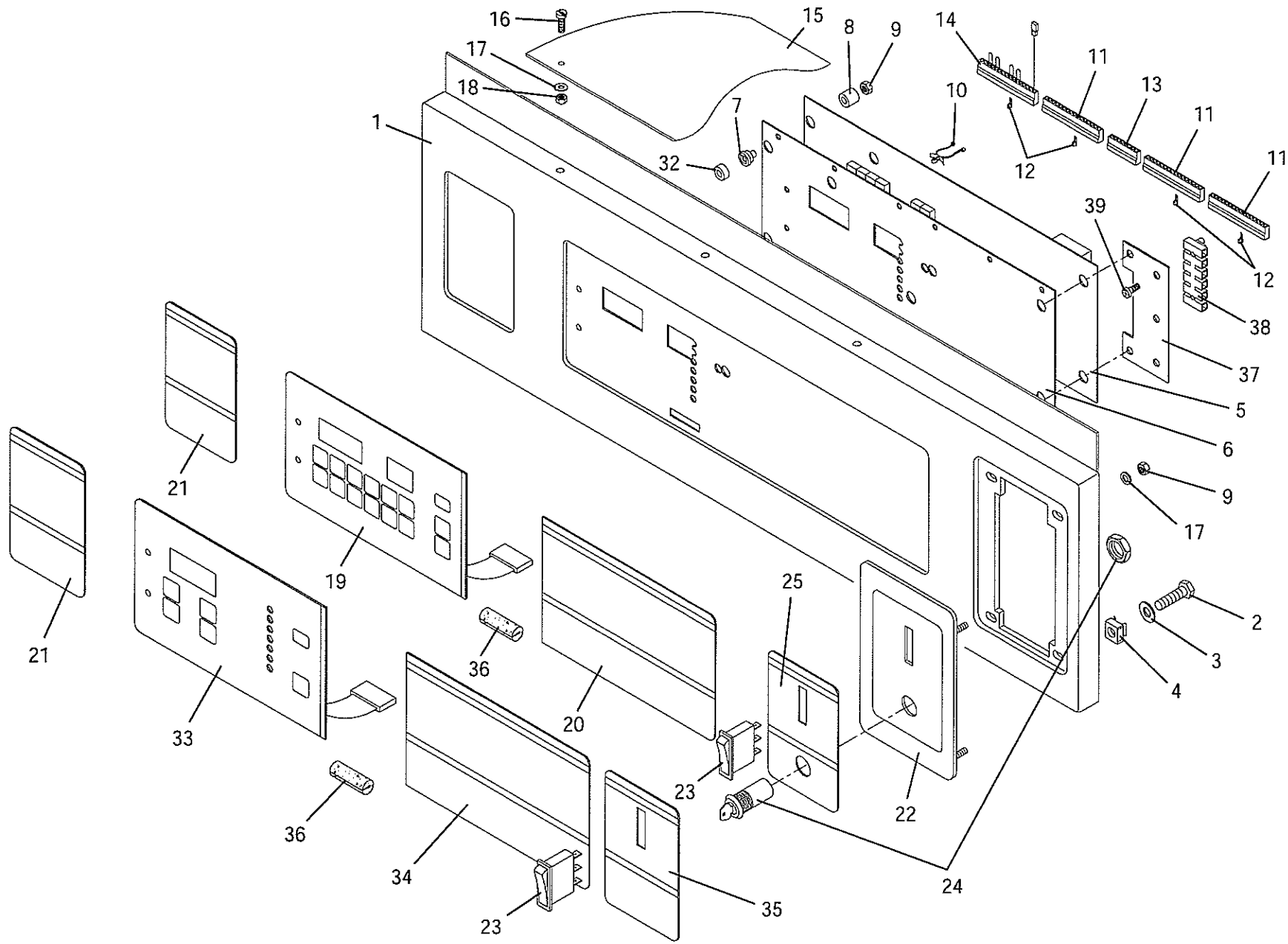
N°	REF.	DENOMINATION	DENOMINACIÓN	DÉNOMINATION
1	276659	CONTROL PANEL	PANEL DE MANDOS	TABLEAU DE COMMANDES
2	146233	BICR.HEX SCREW DIN933-8 M6X15	TOR.EX.DIN933-8.8 B.TRI.M 6X15	VIS HEX DIN933-8.8 BICR.M6X15
3	149526	BICR.WASHER B DIN125-ST 6,4	ARAN.B DIN125-ST B.TRI. 6,4	RONDELLE B DIN125-ST BICR.6,4
4	165019	CAGED NUT M-6 0,5-1,5	TUER.ENJ.M6 0,5-1,5 R.310007-9	ECROU PRESIONER M-6 0,5-1,5
5	318162	MICROPROCESSOR BOARD SM/CM	PLACA MICROP.REC. SM/CM VR	PLAQUE MICROPROCESSEUR SM/CM
	320663	WASHER-EXTRACTOR EPROM SM4/CM4	EPROM LAVADORAS SM4/CM4 VER.-	EPROM LAVEUSES SM4/CM4 VER01
	303933	EEPROM ST24C04	EEPROM ST24C04	EEPROM ST24C04
	317289	TIMER	RELOJ TIEMPO REAL DS1287	HORLOGE DE TEMPS REAL
	187203	INPUT OPTOISOLATOR 4N35	OPTOACOPLADOR ENTRADA 4N35	OPTOISOLATOR ENTREE 4N35
	187211	OUTPUT OPTOISOLATOR S21MD4V	OPTOACOPLADOR SALIDA	OPTOISOLATOR SORTIE S21MD4V
	188003	DISPLAY TDSR 5160	DISPLAY TDSR 5160	DISPLAY TDSR 5160
6	278317	PROCESSOR ISOLATOR	AISLANTE MICROPROCESADOR	ISOLANT MICROPROCESSEUR
7	277392	PLATE-CONTROL SEPARATOR	SEPARADOR PANEL-PLACA	SEPARATEUR TABLEAU-PLAQUE
8	277400	NUT-PLATE SEPARATOR	SEPARADOR PLACA-TUERCA	SEPARATEUR PLAQUE-ECROU
9	150185	BICR.HEX.NUT DIN934-8 M4	TUER.EX.DIN934-8 B.TRI.M 4	ECROU HEX.DIN934-8 BICR.M4
10	199893	CLAMP STL-450-3-01	ABRAZADERA STL-450-3-01	BRIDE STL-450-3-01
11	197301	PROTECTOR AMP-UNYT 1-640029-6	PROTECTOR AMP-UNYT 1-640029-6	PROTECTEUR AMP-UNYT 1-640029-6
12	197426	POLARIZATION AMP 640180-1	POSICIONADOR AMP 640180-1	POLARIZATION AMP 640180-1
13	199810	PROTECTOR AMP-UNYT 640029-8	PROTECTOR AMP-UNYT 640029-8	PROTECTEUR AMP-UNYT 640029-8
14	279158	IDENTIFICATION PLUG	CONECTORA IDENTIFICACION	CONNECTEUR IDENTIFICATION
15	258277	PROCESSOR BOARD LID	TAPA PLACA MICROPROCESADOR	COUVERCLE PLAQ.MICROPROCESSEUR
16	145649	INOX FLAT SCREW DIN85 M 4X10	TOR.PLA.DIN85 INOX A2-70 M4X10	VIS PLAT INOX DIN85 M-4X10 A2
17	219758	WASHER 12X4X1,5	ARANDELA 12X4X1.5 INOX	RONDELLE 12X4X1,5
18	132043	SELFBLOCKING NUT DIN985 M 4	TUER.AUTOBL.DIN985-8 B.TRI.M 4	ECROU AUTOBLOCANT DIN985 M 4
19	327858	CONT.WASHER KEYBOARD CM (FOR USA AND CANADA ONLY)	TECLADO LAVADORA CM CONT. (SOLO PARA USA Y CANADA)	CLAVIER LAVEUSE CM CONT. (SEULEMENT POUR USA ET CANADA)
	300681	WASHER KEYBOARD CM (EXCEPT FOR USA AND CANADA)	TECLADO LAVADORA CM (EXCEPTO PARA USA Y CANADA)	CLAVIER LAVEUSE CM (SAUF POUR USA ET CANADA)
20	303966	CONTINENTAL OPERAT.INSTR.PLATE (FOR USA AND CANADA ONLY)	PLACA INSTR. FUNCION CONTINENT (SOLO PARA USA Y CANADA)	PLAQUE INSTR.FONCT.CONTINENTAL (SEULEMENT POUR USA ET CANADA)
	301317	ENGLISH OPERATION INSTR.PLATE (EXCEPT FOR USA AND CANADA)	PLACA INSTR.FUNCION. IN. (EXCEPTO PARA USA Y CANADA)	PLAQUE INST.FONCTION ANGLAIS (SAUF POUR USA ET CANADA)

N°	REF.	DENOMINATION	DENOMINACIÓN	DÉNOMINATION
	301325	SPANISH OPERATION INSTR.PLATE	PLACA INSTR.FUNCION. ES.	PLAQUE INST.FONCTION ESPAGNOL
	301333	FRENCH OPERATION INSTR.PLATE	PLACA INSTR.FUNCION. FR.	PLAQUE INST.FONCTION FRANCAIS
21	304030	ENGLISH CONT.SAFETY INS.PLATE (FOR USA AND CANADA ONLY)	PLACA INSTR.SEGURIDAD CONT. (SOLO PARA USA Y CANADA)	PLAQUE INSTR.SECUR.CONTINENTAL (SEULEMENT POUR USA ET CANADA)
	301069	ENGLISH SAFETY INSTR.PLATE (EXCEPT FOR USA AND CANADA)	PLACA INSTR.SEGURIDAD IN. (EXCEPTO PARA USA Y CANADA)	PLAQUE INSTR.SECURITE ANGLAIS (SAUF POUR USA ET CANADA)
	301077	SPANISH SAFETY INSTR.PLATE	PLACA INSTR.SEGURIDAD ES.	PLAQUE INSTR.SECURITE ESPAGNOL
	301085	FRENCH SAFETY INSTR.PLATE	PLACA INSTR.SEGURIDAD FR.	PLAQUE INSTR.SECURITE FRANCAIS
23	407486	COIN-METER PLATE (FOR SINGLE COIN METER)	PLACA MONEDERO (PARA MONEDERO SIMPLE)	PLAQUE MONNAYEUR (POUR MONNAYEUR SIMPLE)
25	320580	COIN-METER F60 W2004 0,25 USD	MONEDERO F60.W2004 0,25 USD	MONNAYEUR F60 W2004 0,25 USD
	320572	COIN-METER F60 W2000 TOKEN GIR	MONEDERO F60.W2000 FICHA GIR.	MONNAYEUR F60 W2000 JETON GIR.
		OTHER COIN-METERS F60 (TO SPECIFY COIN)	OTROS MONEDEROS F60 (ESPECIFICAR MONEDA)	AUTRES MONNAYEURS F60 (SPECIFIER MONNAI)
	320812	SINGLE COIN-METER G60 COIL	BOBINA MONEDERO G60 SIMPLE(M1)	BOBINE MONNAYEUR G60 SIMPLE
	320804	COIN-METER MICROSWITCH	MICRORRUPTOR MONEDERO F60 (S6)	MICRORRUPTEUR MONNAYEUR F60
26	147710	TOKEN GIRBAU 24R15	FICHA 24R15 CON ANAGRAM.GIRBAU	JETON GIRBAU 24R15
31	407148	COIN BOX SUPPORT	APOYO CAJON MONEDAS	APPUI BOITE MONNAI
36	149484	BICR.WASHER B DIN125-ST 3,2	ARAN.B DIN125-ST B.TRI. 3,2	RONDELLE B.DIN125-ST BICR. 3,2
37	149906	INOX. HEX. NUT DIN 934 M-3	TUER.EX.DIN934 INOX A2-70 M 3	ECROU HEX. INOX DIN934 M-3
38		LONG COIN BOX	CAJA MONEDAS LARGA	BOITE MONNAIS LONGE
	169169	COIN BOX UG400A GI	CAJA MONEDAS UG400A GI	BOITE MONNAIE UG400A GI
39	279745	PUSH-BUTTON PLATE	PLACA PULSADOR	PLAQUE PULSATEUR
40	138339	PUSH-BUTTON 2WIXII/5518	PULSADOR 2WIXII/5518	BOUTON-POUSSOIR 2WIXII/5518
42	406280	CONNECTION-BOARD BASE	BASE REGLETA	BASE REGLETTE
43	318147	CONNECTION-BOARD PA-239L WP (12 UNITS)	REGLETA PA-239L/12POLOS WP (12 ELEMENTOS)	REGLETTE PA-239L/12POLES WP (12 UNITÉS)
44	166835	SELFTHREADED SCREW	TOR.CELO RF81T 3,5X12	VIS AUTO-FILETE 271147231900
45	279901	SEPARATOR WASHER	ARANDELA 13X6.25X 2 NYLON	RONDELLE SEPARATEUR
47	406090	KEYBOARD CABLE PROTECTION	PROTECCION CINTA TECLADO	PROTECTION CABLE CLAVIER

N°	REF.	DENOMINATION	DENOMINACIÓN	DÉNOMINATION
48	149328	INOX A2 WASHER DIN 125 4,3	ARAN. DIN125 INOX A2 4,3	RONDELLE INOX A2 DIN 125 4,3
49	176792	INOX SELF-BLOCK.NUT DIN985 M 4	TUER.AUTOBL.DIN985 INOX M 4	ECROU AUTOBLOC.INOX DIN985 M 4
50	407460	COIN-METER PLATE (FOR DUAL COIN-METER)	PLACA MONEDERO (PARA MONEDERO DOBLE)	PLAQUE MONNAYEUR (POUR MONNAYEUR DOUBLE)
51	320598	COIN-METER F60W2005/6 0,25/1CAD DOUBLE COIN-METER (TO SPECIFY COINS)	MONEDERO F60 0,25/1,00CAD MONEDERO DOBLE (ESPECIFICAR MONEDAS)	MONNAYEUR F60W2005/6 0,25/1CAD DOBLE MONNAYEUR (SPECIFIER MONNAIES)
	320820	DOUBLE COIN-METER F 60 COIL	BOBINA MONEDERO F60 DOBLE (M3)	BOBINE MONNAYEUR F60 DOUBLE
	320804	COIN-METER MICROSWITCH	MICRORRUPTOR MONEDERO F60 (S6)	MICRORRUPTEUR MONNAYEUR F6

N°	REF.	DENOMINATION	DENOMINACIÓN	DÉNOMINATION
		FROM MACHINE N° 1.250.897	A PARTIR DE LA MÁQUINA N° 1.250.897	A PARTIR DE LA MACHINE N° 1.250.897
19	340885	CONT.WASHER KEYBOARD CM (FOR USA AND CANADA ONLY)	TECLADO LAVADORA CM CONT. (SOLO PARA USA Y CANADA)	CLAVIER LAVEUSE CM CONT. (SEULEMENT POUR USA ET CANADA)
20	332072	CONTIN.OPERATING INSTR.PLATE (FOR USA AND CANADA ONLY)	PLACA INSTR.FUNCION.CONTINENT. (SOLO PARA USA Y CANADA)	PLAQUE INSTR.FONCTIONN.CONTIN. (SEULEMENT POUR USA ET CANADA)

N°	REF.	DENOMINATION	DENOMINACIÓN	DÉNOMINATION
		FROM MACHINE N° 1.251.179	A PARTIR DE LA MÁQUINA N° 1.251.179	A PARTIR DE LA MACHINE N° 1.251.179
5	440297	MICROP.PLATE REC.SM/CM 7/12VR	PLACA MICROP.REC.SM/CM 7/12VR	PLAQUE MICROP.REC.SM/CM 7/12VR
	343897	EPROM WASH.SM4/CM4/C1S VER.	EPROM LAV. SM4/CM4/C1S VER.-	EPROM LAV.SM4/CM4/C1S VER.
	303933	EEPROM ST24C04	EEPROM ST24C04	EEPROM ST24C04
	317289	TIMER	RELOJ TIEMPO REAL DS1287	HORLOGE DE TEMPS REAL
	187203	INPUT OPTOISOLATOR 4N35	OPTOACOPLADOR ENTRADA 4N35	OPTOISOLATOR ENTREE 4N35
	187211	OUTPUT OPTOISOLATOR S21MD4V	OPTOACOPLADOR SALIDA	OPTOISOLATOR SORTIE S21MD4V
	188003	DISPLAY TDSR 5160	DISPLAY TDSR 5160	DISPLAY TDSR 5160



U.15386

H2030

7

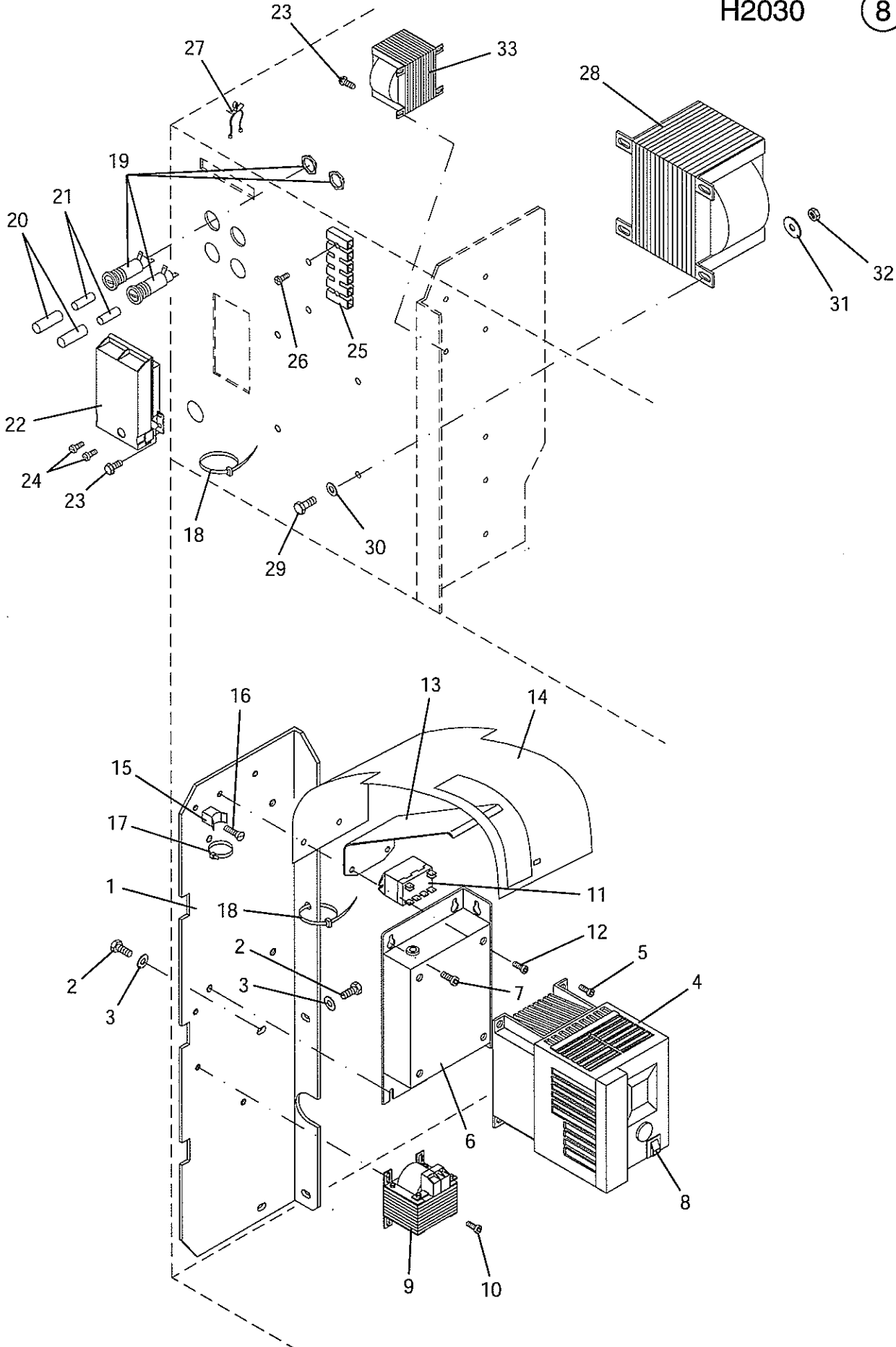
N°	REF.	DENOMINATION	DENOMINACIÓN	DÉNOMINATION
1	276659	CONTROL PANEL	PANEL DE MANDOS	TABLEAU DE COMMANDES
2	146233	BICR.HEX SCREW DIN933-8 M6X15	TOR.EX.DIN933-8.8 B.TRI.M 6X15	VIS HEX DIN933-8.8 BICR.M6X15
3	149526	BICR.WASHER B DIN125-ST 6,4	ARAN.B DIN125-ST B.TRI. 6,4	RONDELLE B DIN125-ST BICR.6,4
4	165019	CAGED NUT M-6 0,5-1,5	TUER.ENJ.M6 0,5-1,5 R.310007-9	ECROU PRESIONER M-6 0,5-1,5
5	318170	MICROPROCESSOR BOARD PM (FOR PM)	PLACA MICROP. REC. PM VR (PARA PM)	PLAQUE MICROPROCESSEUR PM (POUR PM)
	318162	MICROPROCESSOR BOARD SM/CM (FOR SM)	PLACA MICROP.REC. SM/CM VR (PARA SM)	PLAQUE MICROPROCESSEUR SM/CM (POUR SM)
	320655	WASHER-EXTRACTOR EPROM PM4 V04 (FOR PM)	EPROM LAVADORAS PM4 VER.- (PARA PM)	EPROM LAVEUSES PM4 VER04 (POUR PM)
	320663	WASHER-EXTRACTOR EPROM SM4/CM4 (FOR SM)	EPROM LAVADORAS SM4/CM4 VER.- (PARA SM)	EPROM LAVEUSES SM4/CM4 VER01 (POUR SM)
	187195	RAM ZERO POWER MK48Z08-10 (FOR PM)	RAM ZERO POWER MK48Z08-10 (PARA PM)	RAM ZERO POWER MK48Z08-10 (POUR PM)
	303933	EEPROM ST24C04 (FOR SM)	EEPROM ST24C04 (PARA SM)	EEPROM ST24C04 (POUR SM)
	317289	TIMER (FOR SM)	RELOJ TIEMPO REAL DS1287 (PARA SM)	HORLOGE DE TEMPS REAL (POUR SM)
	187203	INPUT OPTOISOLATOR 4N35	OPTOACOPLADOR ENTRADA 4N35	OPTOISOLATOR ENTREE 4N35
	187211	OUTPUT OPTOISOLATOR S21MD4V	OPTOACOPLADOR SALIDA	OPTOISOLATOR SORTIE S21MD4V
	188003	DISPLAY TDSR 5160	DISPLAY TDSR 5160	DISPLAY TDSR 5160
6	278317	PROCESSOR ISOLATOR	AISLANTE MICROPROCESADOR	ISOLANT MICROPROCESSEUR
7	277392	PLATE-CONTROL SEPARATOR	SEPARADOR PANEL-PLACA	SEPARATEUR TABLEAU-PLAQUE
8	277400	NUT-PLATE SEPARATOR	SEPARADOR PLACA-TUERCA	SEPARATEUR PLAQUE-ECROU
9	150185	BICR.HEX.NUT DIN934-8 M4	TUER.EX.DIN934-8 B.TRI.M 4	ECROU HEX.DIN934-8 BICR.M4
10	199893	CLAMP STL-450-3-01	ABRAZADERA STL-450-3-01	BRIDE STL-450-3-01
11	197301	PROTECTOR AMP-UNYT 1-640029-6	PROTECTOR AMP-UNYT 1-640029-6	PROTECTEUR AMP-UNYT 1-640029-6
12	197426	POLARIZATION AMP 640180-1	POSICIONADOR AMP 640180-1	POLARIZATION AMP 640180-1
13	199810	PROTECTOR AMP-UNYT 640029-8	PROTECTOR AMP-UNYT 640029-8	PROTECTEUR AMP-UNYT 640029-8
14	279174	IDENTIFICATION PLUG (FOR PM)	CONECTORA IDENTIFICACION (PARA PM)	CONNECTEUR IDENTIFICATION (POUR PM)
	279166	IDENTIFICATION PLUG (FOR SM)	CONECTORA IDENTIFICACION (PARA SM)	CONNECTEUR IDENTIFICATION (POUR SM)
15	258277	PROCESSOR BOARD LID	TAPA PLACA MICROPROCESADOR	COUVERCLE PLAQ.MICROPROCESSEUR

N°	REF.	DENOMINATION	DENOMINACIÓN	DÉNOMINATION
16	145649	INOX FLAT SCREW DIN85 M 4X10	TOR.PLA.DIN85 INOX A2-70 M4X10	VIS PLAT INOX DIN85 M-4X10 A2
17	219758	WASHER 12X4X1,5	ARANDELA 12X4X1.5 INOX	RONDELLE 12X4X1,5
18	132043	SELFBLOCKING NUT DIN985 M 4	TUER.AUTOBL.DIN985-8 B.TRI.M 4	ECROU AUTOBLOCANT DIN985 M 4
19	300673	WASHER KEYBOARD PM (FOR PM)	TECLADO LAVADORA PM (PARA PM)	CLAVIER LAVEUSE PM (POUR PM)
20	303982	CONTINENTAL OPERAT.INSTR.PLATE (FOR PM) (FOR USA AND CANADA ONLY)	PLACA INSTR. FUNCION CONTINENT (PARA PM) (SOLO PARA USA Y CANADA)	PLAQUE INSTR.FONCT.CONTINENTAL (POUR PM) (SEULEMENT POUR USA ET CANADA)
	301440	ENGLISH OPERATION INSTR.PLATE (FOR PM) (EXCEPT FOR USA AND CANADA)	PLACA INSTR.FUNCION. IN. (PARA PM) (EXCEPTO PARA USA Y CANADA)	PLAQUE INSTR.FONCTION ANGLAIS (POUR PM) (SAUF POUR USA ET CANADA)
	301457	SPANISH OPERATION INSTR.PLATE (FOR PM)	PLACA INSTR.FUNCION. ES. (PARA PM)	PLAQUE INSTR.FONCTION ESPAGNOL (POUR PM)
	301465	FRENCH OPERATION INSTR.PLATE (FOR PM)	PLACA INSTR.FUNCION. FR. (PARA PM)	PLAQUE INSTR.FONCTION FRANCAIS (POUR PM)
21	304030	ENGLISH CONT.SAFETY INS.PLATE (FOR USA AND CANADA ONLY)	PLACA INSTR.SEGURIDAD CONT. (SOLO PARA USA Y CANADA)	PLAQUE INSTR.SECUR.CONTINENTAL (SEULEMENT POUR USA ET CANADA)
	301069	ENGLISH SAFETY INSTR.PLATE (EXCEPT FOR USA AND CANADA)	PLACA INSTR.SEGURIDAD IN. (EXCEPTO PARA USA Y CANADA)	PLAQUE INSTR.SECURITE ANGLAIS (SAUF POUR USA ET CANADA)
	301077	SPANISH SAFETY INSTR.PLATE	PLACA INSTR.SEGURIDAD ES.	PLAQUE INSTR.SECURITE ESPAGNOL
	301085	FRENCH SAFETY INSTR.PLATE	PLACA INSTR.SEGURIDAD FR.	PLAQUE INSTR.SECURITE FRANCAIS
22	277384	MICRO SUPPLEMENT PANEL	PANEL SUPLEMENTO MICRO.	PANNEAU SUPPLEMENT MICRO
23	300780	SWITCH 1WIXII/3359 WHITE	INTERRUPTOR C1500AL AAG	INTERRUPTEUR 1WIXII/3359 BLANC
24	410522	FUNCTION SWITCH (FOR PM)	COMUTADOR FUNCIONES (PARA PM)	COMMUTATEUR FONCTIONS (POUR PM)
25	304097	GENERAL CONTROL PLATE (FOR PM) (FOR USA AND CANADA ONLY)	PLACA MANDOS GENERALES (PARA PM) (SOLO PARA USA Y CANADA)	PLAQUE COMMANDES GENERALES (POUR PM) (SEULEMENT POUR USA ET CANADA)
	301994	GENERAL CONTROL PLATE (FOR PM) (EXCEPT FOR USA AND CANADA)	PLACA MANDOS GENERALES (PARA PM) (EXCEPTO PARA USA Y CANADA)	PLAQUE COMMANDES GENERALES (POUR PM) (SAUF POUR USA ET CANADA)
32	279901	SEPARATOR WASHER	ARANDELA 13X6.25X 2 NYLON	RONDELLE SEPARATEUR
33	300699	WASHER KEYBOARD SM (FOR SM)	TECLADO LAVADORA SM (PARA SM)	CLAVIER LAVEUSE SM (POUR SM)
34	303974	CONTINENTAL OPERAT.INSTR.PLATE (FOR SM) (FOR USA AND CANADA ONLY)	PLACA INSTR. FUNCION CONTINENT (PARA SM) (SOLO PARA USA Y CANADA)	PLAQUE INSTR.FONCT.CONTINENTAL (POUR SM) (SEULEMENT POUR USA ET CANADA)

N°	REF.	DENOMINATION	DENOMINACIÓN	DÉNOMINATION
	301192	ENGLISH OPERATION INSTR.PLATE (FOR SM) (EXCEPT FOR USA AND CANADA)	PLACA INSTR.FUNCION. IN. (PARA SM) (EXCEPTO PARA USA Y CANADA)	PLAQUE INSTR.FONCTION ANGLAIS (POUR SM) (SAUF POUR USA ET CANADA)
	301200	SPANISH OPEARATION INSTR.PLATE (FOR SM)	PLACA INSTR.FUNCION. ES. (PARA SM)	PLAQUE INST.FONCTION ESPAGNOL (POUR SM)
	301218	FRENCH OPERATION INSTR.PLATE (FOR SM)	PLACA INSTR.FUNCION. FR. (PARA SM)	PLAQUE INSTR.FONCTION FRANCAIS (POUR SM)
35	304089	START-STOP PLATE (FOR SM) (FOR USA AND CANADA ONLY)	PLACA MARCHA-PARO (PARA SM) (SOLO PARA USA Y CANADA)	PLAQUE MARCHE-ARRET (POUR SM) (SEULEMENT POUR USA ET CANADA)
	301986	START-STOP PLATE (FOR SM) (EXCEPT FOR USA AND CANADA)	PLACA MARCHA PARO (PARA SM) (EXCEPTO PARA USA Y CANADA)	PLAQUE MARCHE-ARRET (POUR SM) (SAUF POUR USA ET CANADA)
36	406090	KEYBOARD CABLE PROTECTION	PROTECCION CINTA TECLADO	PROTECTION CABLE CLAVIER
37	406280	CONNECTION-BOARD BASE	BASE REGLETA	BASE REGLETTE
38	318147	CONNECTION-BOARD PA-239L WP (12 UNITS)	REGLETA PA-239L/12POLOS WP (12 ELEMENTOS)	REGLETTE PA-239L/12POLES WP (12 UNITÉS)
39	166835	SELFTHREADED SCREW	TOR.CELO RF81T 3,5X12	VIS AUTO-FILETE 271147231900

N°	REF.	DENOMINATION	DENOMINACIÓN	DÉNOMINATION
		FROM MACHINE N° 1.251.123	A PARTIR DE LA MÁQUINA N° 1.251.123	A PARTIR DE LA MACHINE N° 1.251.123
5	440305	MICROP.PLATE REC.PM 7/12 VR (FOR PM)	PLACA MICROP.REC.PM 7/12 VR (PARA PM)	PLAQUE MICROP.REC.PM 7/12 VR (POUR PM)
	343905	EPROM WASH. PM4/C1S VER.- (FOR PM)	EPROM LAV. PM4/C1S VER.- (PARA PM)	EPROM LAV. PM4/C1S VER.- (POUR PM)
	187195	RAM ZERO POWER MK48Z08-10 (FOR PM)	RAM ZERO POWER MK48Z08-10 (PARA PM)	RAM ZERO POWER MK48Z08-10 (POUR PM)
	187203	INPUT OPTOISOLATOR 4N35	OPTOACOPLADOR ENTRADA 4N35	OPTOISOLATOR ENTREE 4N35
	187211	OUTPUT OPTOISOLATOR S21MD4V	OPTOACOPLADOR SALIDA	OPTOISOLATOR SORTIE S21MD4V
	188003	DISPLAY TDSR 5160	DISPLAY TDSR 5160	DISPLAY TDSR 5160

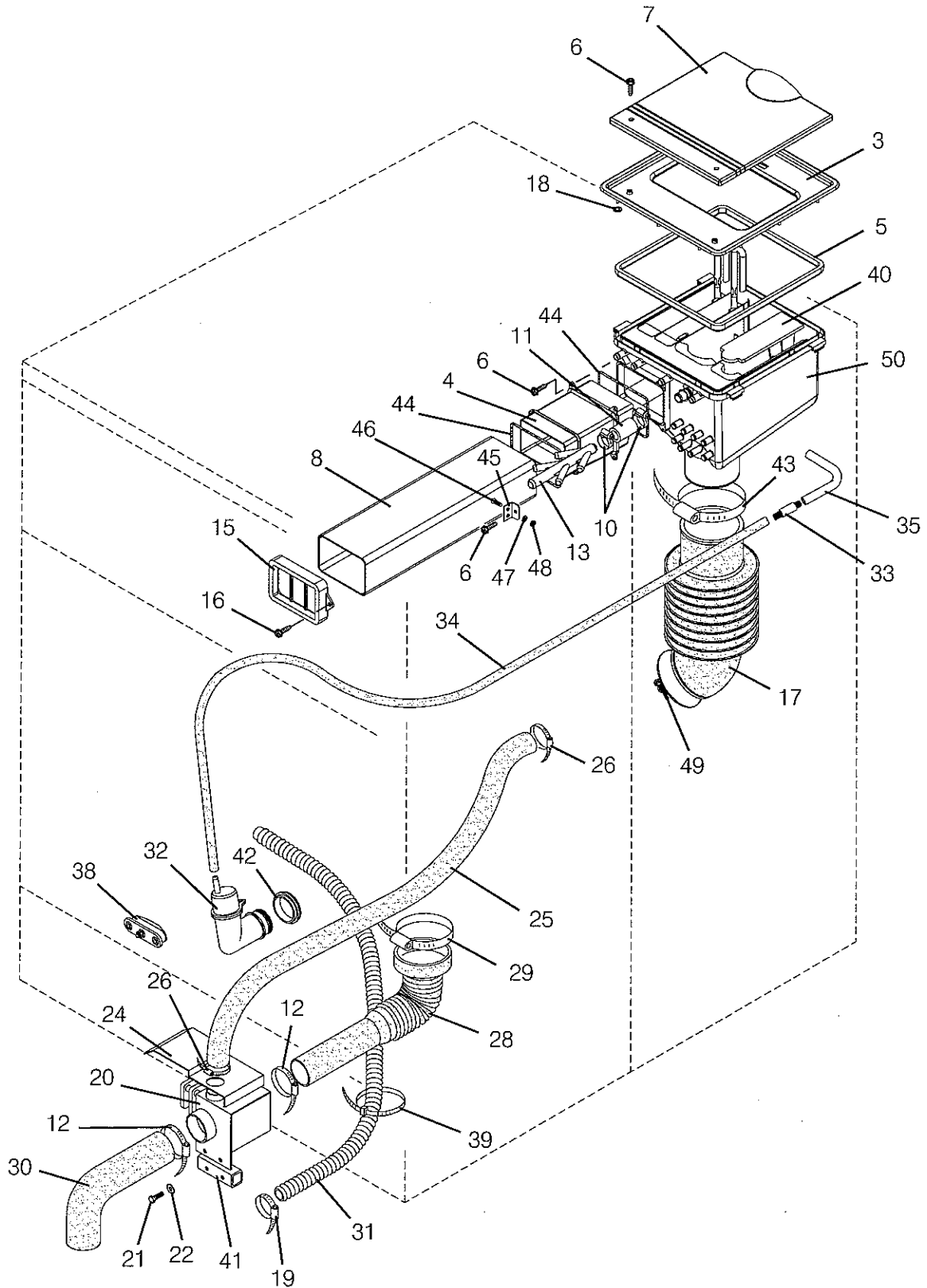
N°	REF.	DENOMINATION	DENOMINACIÓN	DÉNOMINATION
		FROM MACHINE N° 1.251.179	A PARTIR DE LA MÁQUINA N° 1.251.179	A PARTIR DE LA MACHINE N° 1.251.179
5	440297	MICROP.PLATE REC.SM/CM 7/12VR (FOR SM)	PLACA MICROP.REC.SM/CM 7/12VR (PARA SM)	PLAQUE MICROP.REC.SM/CM 7/12VR (POUR SM)
	343897	EPROM WASH.SM4/CM4/C1S VER. (FOR SM)	EPROM LAV. SM4/CM4/C1S VER.- (PARA SM)	EPROM LAV.SM4/CM4/C1S VER. (POUR SM)
	303933	EEPROM ST24C04 (FOR SM)	EEPROM ST24C04 (PARA SM)	EEPROM ST24C04 (POUR SM)
	317289	TIMER (FOR SM)	RELOJ TIEMPO REAL DS1287 (PARA SM)	HORLOGE DE TEMPS REAL (POUR SM)
	187203	INPUT OPTOISOLATOR 4N35	OPTOACOPLADOR ENTRADA 4N35	OPTOISOLATOR ENTREE 4N35
	187211	OUTPUT OPTOISOLATOR S21MD4V	OPTOACOPLADOR SALIDA	OPTOISOLATOR SORTIE S21MD4V
	188003	DISPLAY TDSR 5160	DISPLAY TDSR 5160	DISPLAY TDSR 5160



N°	REF.	DENOMINATION	DENOMINACIÓN	DÉNOMINATION
1	406066	CONVERTOR GROUP BRACKET	SOPORTE GRUPO CONVERTIDOR	SUPPORT GROUPE CONVERTISSEUR
2	146233	BICR.HEX SCREW DIN933-8 M6X15	TOR.EX.DIN933-8.8 B.TRI.M 6X15	VIS HEX DIN933-8.8 BICR.M6X15
3	149526	BICR.WASHER B DIN125-ST 6,4	ARAN.B DIN125-ST B.TRI. 6,4	RONDELLE B DIN125-ST BICR.6,4
4	318782	INVERTER FVR 1.5 C11S-7WM	CONVERTIDOR FVR 1.5 C11S-7WM	CONVERTISSEUR FVR 1.5 C11S-7WM
5	145250	BICR.CYL SCREW DIN84-4.8 M4X12	TOR.CIL.DIN84-4.8 B.TRI.M 4X12	VIS CYL DIN84-4.8 BICR.M 4X12
6	318824	FILTER TYPE EFL-1.5C11-7	FILTRO TIPO EFL-1.5C11-7	FILTRE TYPE EFL-1.5C11-7
7	144261	ALLEN SCREW DIN 912 M-5X10	TOR.ALLDIN912-8.8 B.TRI.M 5X10	VIS ALLEN DIN 912 M-5X10
8	319731	ADHESIF WASHER CFCCS-8-01A	ABRAZAD.ADHESIVA CFCCS-8-01A	RONDELLE ADHESIVE CFCCS-8-01A
9	318808	INDUCTANCE DCR002	INDUCTANCIA DCR002	INDUCTANCE DCR002
10	161646	ALLEN SCREW DIN 912 M-4X8	TOR.ALLDIN912-8.8 B.TRI.M 4X 8	VIS ALLEN DIN 912 M-4X8
11	318840	IND.RELAY G7L-2A-TUB 200-240V	RELE IND.G7L-2A-TUB 200-240VAC	RELAIS IND.G7L-2A-TUB 200-240V
12	161646	ALLEN SCREW DIN 912 M-4X8	TOR.ALLDIN912-8.8 B.TRI.M 4X 8	VIS ALLEN DIN 912 M-4X8
13	407072	CONVERTOR PROTECTION BASE	BASE PROTECCION CONVERTIDOR	BASE PROTECTION CONVERTISSEUR
14	406819	CONVERTOR PROTECTION COVER	TAPA PROTECCION CONVERTIDOR	COUVERCLE PROT. CONVERTISSEUR
15	199232	BASE UNEX 1252	BASE ROSCABLE PARA BRIDA 1252	BASE UNEX 1252
16	305755	BICR.AV SCREW DIN963-4.8 M4X16	TOR.AV.DIN963-4.8B.TRI. M 4X16	VIS AV DIN963-4.8 BICR.M 4X 16
17	140434	CLAMP 2221	BRIDA UNEX 2221	BRIDE 2221
18	140525	CLAMP 2244-0	BRIDA UNEX 2244-0	BRIDE 2244-0
19	160119	FUSE HOLDER REF.FEC 031 1631	PORTAFUSIBLES REF.FEC.031.1631	PORTE-FUSIBLE REF.FEC 031 1631
20	137661	BAYONET HEAD	CABEZA BAYONETA FEK.031.1613	TETE BAYONETTE
21	319152	FUSE SPT 0001.2521 0,5A	CART.FUSIB.SPT 0001.2521 0,5A	CARTOUCHE FUSIBLE SPT
22	318865	CONNECTOR PA 223S	CONECTOR PA 223S	CONNECTEUR PA 223S
23	183400	CYL.PLATE SCREW ST-4 20 C/AL	TOR.CHAPA ST-4 20 C/AL.T25	VIS PLAQUE CYL.ST-4 20 C/AL
24	193631	CYL PLATE SCREW DIN7971 6X5/8"	TOR.CHAPA CILI.DIN7971 6X5/8"	VIS PLAQU CYL DIN7971 6X5/8"
25	318147	CONNECTION-BOARD PA-239L WP (12 UNITS)	REGLETA PA-239L/12POLOS WP (12 ELEMENTOS)	REGLETTE PA-239L/12POLES WP (12 UNITÉS)
26	166835	SELFTHREADED SCREW	TOR.CELO RF81T 3,5X12	VIS AUTO-FILETE 271147231900
27	199893	CLAMP STL-450-3-01	ABRAZADERA STL-450-3-01	BRIDE STL-450-3-01
28	406355	TRANSFORMER 120V (FOR 120V)	TRANSFORMADOR 120V (PARA 120V)	TRANSFORMATEUR 120V (POUR 120V)
29	144279	ALLEN SCREW DIN 912 M-5X15	TOR.ALLDIN912-8.8 B.TRI.M 5X15	VIS ALLEN DIN 912 M-5X15

H2030 407890D 8B

N°	REF.	DENOMINATION	DENOMINACIÓN	DÉNOMINATION
30	149534	BICR.WASHER B DIN125-ST 5,3	ARAN.B DIN125-ST B.TRI. 5,3	RONDELLE B BICR.DIN125-ST 5,3
31	160838	WASHER 14X6X1,5	ARANDELA 14X6X1.5 INOX	RONDELLE 14X6X1,5
32	176826	SELF-BLOCKING NUT DIN 985 M-5	TUER.AUTOBL.DIN985-8 B.TRI.M5	ECROU AUTOBLOCANT DIN 985 M-5
33	406314	TRANSFORMER 200V (FOR 200V)	TRANSFORMADOR 200V (PARA 200V)	TRANSFORMATEUR 200V (POUR 200V)



N°	REF.	DENOMINATION	DENOMINACIÓN	DÉNOMINATION
1	328641	DISTRIBUTOR ASSEMBLY	CONJUNTO DISTRIBUIDOR	ENSEMBLE DISTRIBUTEUR
	321380	ASPIRATION HOSE	TUBO ASPIRACION	TUBE ASPIRATION
2	321331	SOAP DISPENSER BODY	CUERPO DOSIFICADOR (328690)	CORPS BAC A PRODUITS
3	339291	SOAP DISPENSER COVER FRAME	MARCO TAPA DOSIFICADOR	CADRE COUVERCLE BAC A PRODUITS
4	321505	OVERFLOW HOSE	TUBO REBOSADERO	TUBE DEVERSOIR
5	321430	SOAP DISPENSER GASKET	JUNTA DOSIFICADOR	JOINT BACS A PRODUITS
6	326660	SCREW PT K40X12 WN1451-TORX	TOR.CELO 412RFX87T INOX A2 4X12	VIS PT K40X12 WN1451-TORX
7	339283	SOAP DISPENSER COVER	TAPA DOSIFICADOR	COUVERCLE BAC A PRODUITS
8	410001	OVERFLOW HOSE	TUBO REBOSADERO	TUBE DEVERSOIR
9	321349	WATER INLET RACCORD	RACOR ENTRADA AGUA DIRECTA	RACCORD ENTREE EAU
10	156109	CLAMP 16-27	ABRAZADERA 16- 27	BRIDE 16-27
11	411165	BRANCH SLEEVE	MANGUITO BIFURCACION	MANCHON BIFURCATION
12	132290	CLAMP 301508-9 D50-70	ABRAZADERA 50- 70	BRIDE 301508-9 D50-70
13	326678	MULTIPLE BRANCH	BIFURCACION MULTIPLE	BIFURCATION MULTIPLE
15	410027	OVERFLOW HOSE FRAME	MARCO TUBO REBOSADERO	CADRE TUBE REVERSOIR
16	322750	SCREW FDS SF-M5X12PKS	TOR.AUTO-ROSC.TORX.ESTR.M5X12	VIS.FDS SF-M5X12PKS
17	321448	SOAP DISPENSER BELLOWS	FUELLE DOSIFICADOR	FAUX-PLI BAC A PRODUITS
18	193540	MIKALOR QUICK FIXING 211038-8	SUJEC.RAPIDA MIKALOR 211038-8	FIXATION RAPIDE MIKALOR
19	155150	CLAMP 8-16	ABRAZADERA 8- 16	BRIDE 8-16
20	251835	DRAIN (OPEN WITHOUT POWER)	DESAGUE (ABIERTO A F.DE CORR.)	VIDANGE (NORMALEMENT OUVERTE)
	159764	MOTOR AND GEAR-BOX RE. 453R	MOTOR-REDUCTOR 453R 0,24AMP.	MOTEUR ET REDUCTEUR REF. 453R
	159731	OPERATING SPRING RE.408L	MUELLE ACCIONAMIENTO REF.408L	RESSORT ACTIONNEMENT REF. 408L
	163394	TIGHTNESS SEAL RE. 311VP	RETEN ESTANQUEIDAD REF.VP311	RESERVE ETACHEITE REF. 311VP
	132530	DRAIN BODY RE 811-SO 2"	CUERPO DESAGUE REF.811-SO 2"	CORPS VIDANGE REF. 811-SO 2"
	166553	MOTOR FIXING PLATE REF. 304Z	PLACA FIJACION MOTOR REF.304Z	PLAQUE FIXATION MOTEUR 304Z
	166611	MOTOR FIXING PLATE SCREW	TORNILLO PLACA FIJAC.REF.306	VIS PLAQUE FIXATION MOTEUR
	166595	MOTOR PLATE FIXING SCREW 320C	TORNILLO FIJACION REF.320C	VIS FIXATION 320C
	166603	CYL PLATE SCREW DIN7971 8X2"	TOR.CHAPA CILI.DIN7971 8X2"	VIS PLAQUE CYL DIN7971 8X2"
	166587	OPERATING SHAFT REF. 713	EJE ACCIONAMIENTO REF.713	AXE ACTIONNEMENT REF. 713
	166629	OPERATIN SHAFT WASHER 823	ARANDELA EJE ACCIONAM. REF.823	RONDELLE AXE ACTIONNEMENT 823

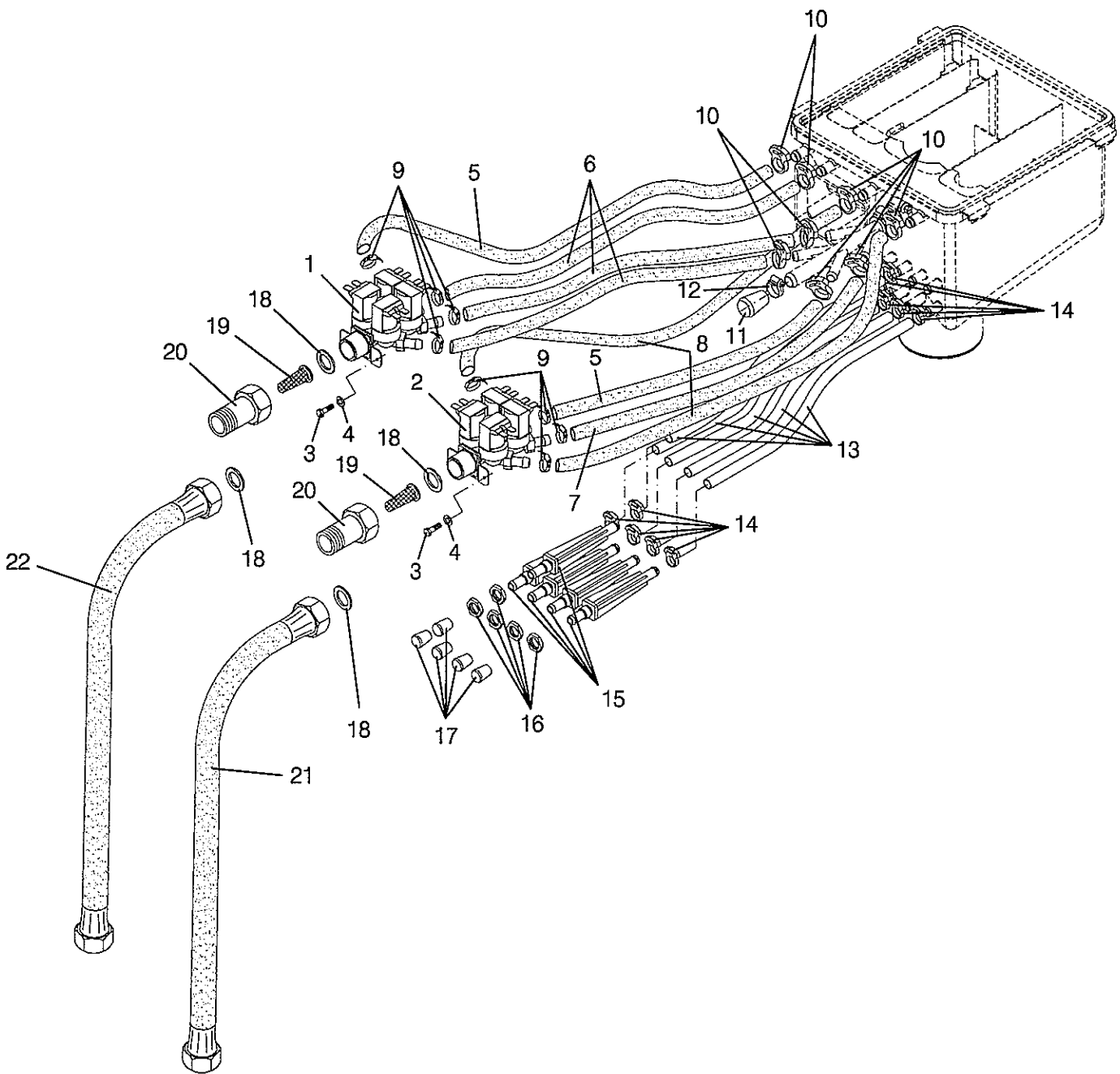
N°	REF.	DENOMINATION	DENOMINACIÓN	DÉNOMINATION
21	146357	BIC HEX SCREW DIN933-8.8 M6X45	TOR.EX.DIN933-8.8 B.TRI.M 6X45	VIS HEX DIN933-8.8 BICR.M 6X45
22	149526	BICR.WASHER B DIN125-ST 6,4	ARAN.B DIN125-ST B.TRI. 6,4	RONDELLE B DIN125-ST BICR.6,4
24	251827	DRAIN PROTECTION	PROTECCION DESAGÜE	PROTECTION VIDANGE
25	407023	VAPOUR OUTLET HOSE	TUBO SALIDA VAHOS	TUBE SORTIE VAPEURS
26	132282	CLAMP 301527-3 D32-50	ABRAZADERA 32- 50	BRIDE 301527-3 DSA-50
28	189548	DRAIN HOSE	TUBO DESAGUE	TUBE VIDANGE
29	155143	CLAMP 110-130	ABRAZADERA 110-130	BRIDE 110-130
30	128298	RUBBER ELBOW D50X200X300	CODO GOMA D50X200X300	COUDE GOMME D50X200X300
31	283838	BEARING BOX DRAIN HOSE	TUBO DESAGÜE CAJA COJINETES	TUBE VIDANGE BOITE ROULEMENTS
32	320382	PRESSURE TRANSMITT INTAKE BODY	CUERPO TOMA PRESOSTATO	CORPS PRISE PRESSOSTAT
33	120956	LEVEL PRESSURE-SWITCH INTAKE	TOMA PRESOSTATO NIVEL	PRISE PRESSOSTAT NIVEAU
34	407171 &	LEVEL PRESSOSTAT HOSE	TUBO PRESOSTATO NIVEL	TUBE PRESSOSTAT NIVEAU
35	279588	AIR CONDUCTION HOSE	TUBO CONDUCCION AIRE	TUBE CONDUITE AIR
38	121962	HEATER INLET LID	CIERRE ENTRADA CALEFACTOR	FERMETURE ENTREE RESISTANCE
39	140525	CLAMP 2244-0	BRIDA UNEX 2244-0	BRIDE 2244-0
40	327593	PREWASH COVER (FOR CM)	TAPA PRELAVADO (PARA CM)	COUVERCLE PRELAVAGE (POUR..CM)
41	261164	DRAIN BRACKET	SOPORTE DESAGUE	SUPPORT VIDANGE
42	320036	PRESSURE T.BODY SHEATH-LODGING	PASAMUROS CUERPO PRESOSTATO	LOGEMENT CORPS PRESSOSTAT
43	132340	CLAMP 301510-0 D80-100	ABRAZADERA 80-100	BRIDE 301510-0 D80-100
44	326868	FOAM SILICONE CORD D4	CORDON SILICONA ESPONJOSA D4	CORD SILICONE EPONGE D4
45	420760	GASKET LOCK END-PIECE	TOPE APRIETE JUNTA	ARRET FERMETURE JOINT
46	192864	ALLEN SCREW INOX DIN7991 M4X12	TOR.AV.ALL.INOX DIN7991M 4X 12	VIS ALLEN INOX DIN7991 M4X 12
47	149328	INOX A2 WASHER DIN 125 4,3	ARAN. DIN125 INOX A2 4,3	RONDELLE INOX A2 DIN 125 4,3
48	149922	INOX HEX. NUT DIN 934 M-4	TUER.EX.DIN934 INOX A2-70 M 4	ECROU HEX. INOX DIN 934 M-4
49	323220	CLAMP D97XD2	ABRAZ.ALAMBRE D97XD2	COLLIER D97XD2

& 128199 1 METER RUBBER HOSE D 9X 5

1 METRO TUBO GOMA D 9X 5

1 METRE TUBE GOMME D 9X 5

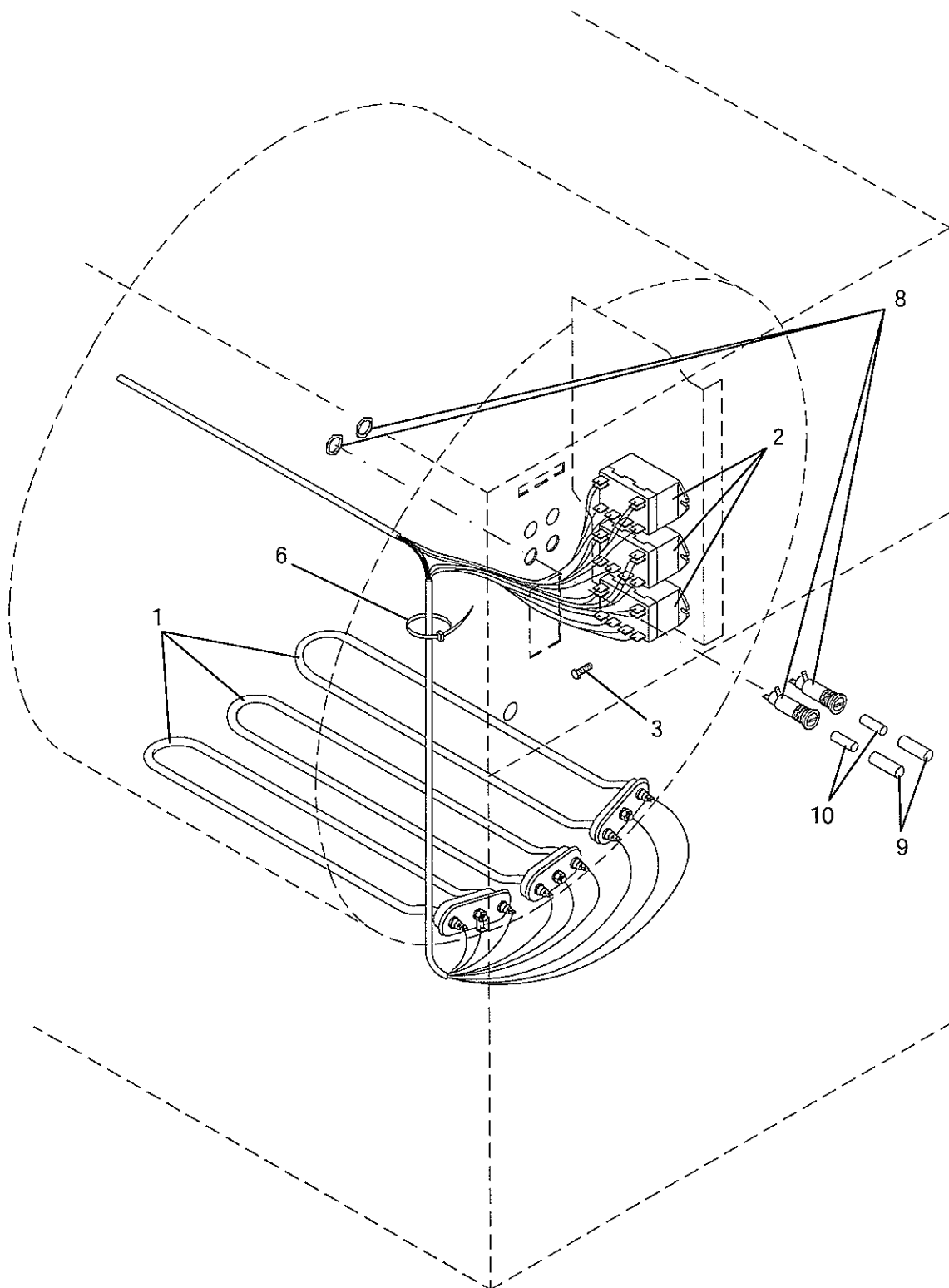
N°	REF.	DENOMINATION	DENOMINACIÓN	DÉNOMINATION
		FROM MACHINE N° 1.250.986	A PARTIR DE LA MÁQUINA N° 1.250.986	A PARTIR DE LA MACHINE N° 1.250.986
1	321380	CANCELLED	ANULADO	ANNULE
	328641	CANCELLED	ANULADO	ANNULE
2	321331	CANCELLED	ANULADO	ANNULE
9	321349	CANCELLED	ANULADO	ANNULE
50	328690	SOAP DISPENSER SET	CONJUNTO DOSIFICADOR	ENSEMBLE BAC A PRODUITS
	339598	ASPIRATION HOSE	TUBO ASPIRACION	TUBE ASPIRATION



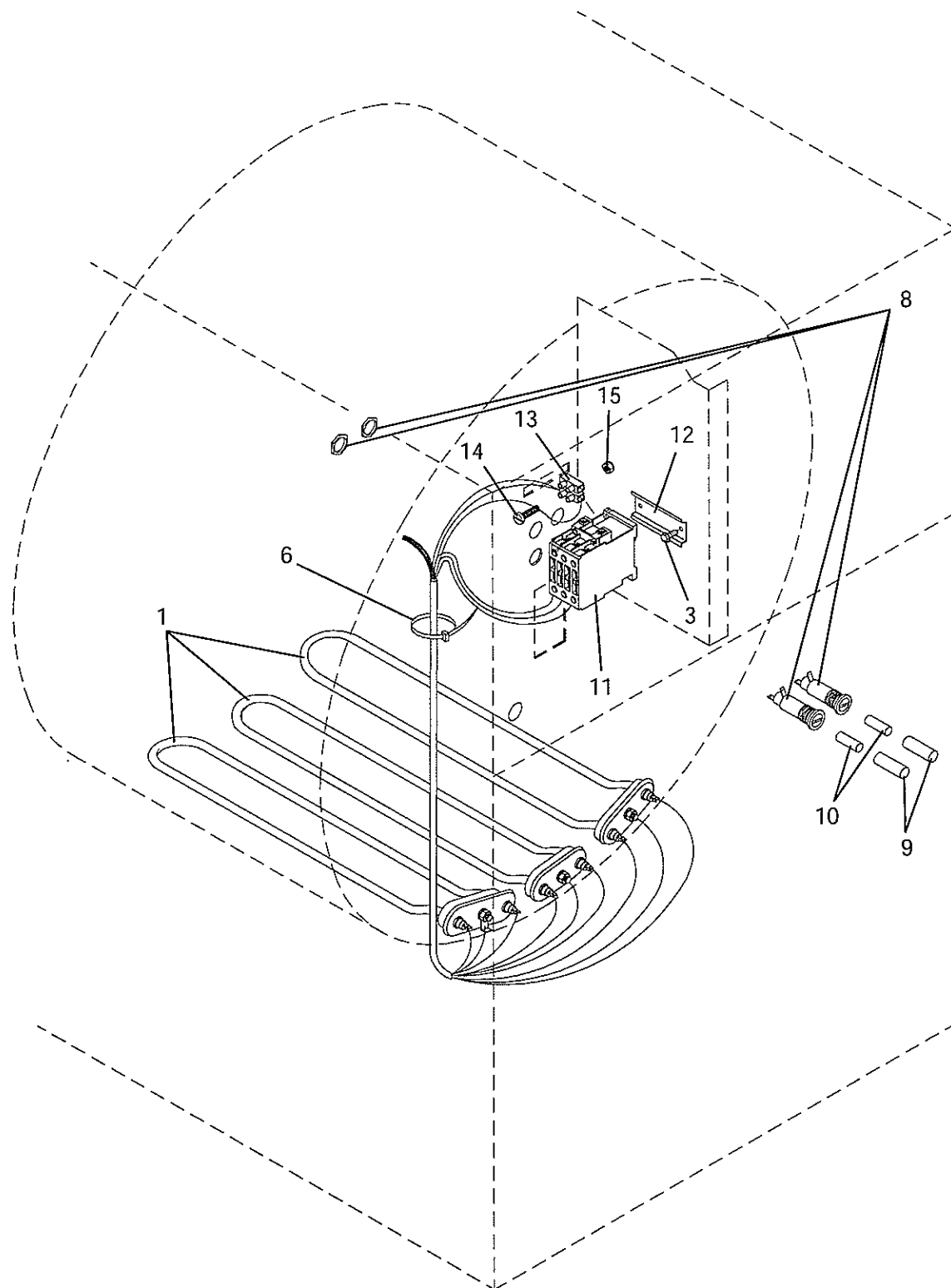
N°	REF.	DENOMINATION	DENOMINACIÓN	DÉNOMINATION
1	411157	4-TRACK ELECTROVALVE	ELECTROVALVULA CUATRO VIAS	ELECTROVANNE 4 VOIES
	192054	ELECT.SERIES 300 COIL 220/240V	BOBINA ELEC.SERIE 300 220/240V	BOBINE ELEC.SERIE 300 220/240V
	300194	YELLOW CASE 30053	ESTUCHE AMARILLO 30053	BOITE JAUNE 30053
	300202	INTEGRAL GUIDE-MEMBRANE 30696	MEMBRANA-GUIA INTEGRAL 30696	MEMBRANE-GUIDE INTEGRALE 30696
	156265	REGULATOR 3 L/MIN (BLACK)	REGULADOR DE 3 L/MIN. (NEGRO)	REGULATEUR 3 L/MIN (NOIR)
2	129411	180 DEG. ELECTROVALVE 389A	ELECTROV.CUADRUPLE 389-A 180°	ELECTROVANNE 180 DEG.389A
	192054	ELECT.SERIES 300 COIL 220/240V	BOBINA ELEC.SERIE 300 220/240V	BOBINE ELEC.SERIE 300 220/240V
	300194	YELLOW CASE 30053	ESTUCHE AMARILLO 30053	BOITE JAUNE 30053
	300202	INTEGRAL GUIDE-MEMBRANE 30696	MEMBRANA-GUIA INTEGRAL 30696	MEMBRANE-GUIDE INTEGRALE 30696
3	146258	BIC.HEX SCREW DIN933-4.8 M4X10	TOR.EX.DIN933-4.8 B.TRI.M 4X10	VIS HEX DIN933-4.8 BICR.M 4X10
4	149732	BICR.EXT TOOT.WASH DIN6798 M4	ARAN.DEN.EXT.B.TRI.DIN6798M 4	RONDEL.DEN.EX.BICR.DIN6798 M4
5	411363	WATER INLET HOSE	TUBO ENTRADA AGUA	TUBE ENTREE EAU
6	411371	WATER INLET HOSE	TUBO ENTRADA AGUA	TUBE ENTREE EAU
7	411389	WATER INLET HOSE	TUBO ENTRADA AGUA	TUBE ENTREE EAU
8	411397	WATER INLET HOSE	TUBO ENTRADA AGUA	TUBE ENTREE EAU
9	155150	CLAMP 8-16	ABRAZADERA 8- 16	BRIDE 8-16
10	323675	CLAMP NORMA 22HC0593	ABRAZADERA NORMA 22HC0593	COLLIER NORMA 22HC0593
11	156687	CONICAL END-PIECE R-16 D16	TOPE CONICO REPRIMSA R-16 D16	ARRET CONIQUE R-16 D16
12	155150	CLAMP 8-16	ABRAZADERA 8- 16	BRIDE 8-16
13	411413	EXTERNAL DOSING HOSE	TUBO DOSIFICACION EXTERNA	TUBE DOSAGE EXTERNE
14	323667	CLAMP NORMA D12,07-D13,61	ABRAZADERA NORMA D12,07-D13,61	COLLIER NORMA D12,07-D13,61
15	321422	EXTERNAL DOSING RACCORD	RACOR DOSIFICACION EXTERNA	RACCORD DOSAGE EXTERNE
16	323709	FIG.312 1/4 NPT PUL.LAT.NUT	TUER.LATON FIG312 1/4NPT PULI.	ECROU LAT.FIG.312 1/4 NPT PUL.
17	156679	CONICAL END-PIECE R-16 D10	TOPE CONICO REPRIMSA R-16 D10	BOUCHON CONIQUE R-16 D10
18	114348	GASKET D24XD13,5X2	JUNTA MIFLEX D24X13,5X2	JOINT D24XD13,5X2
19	315614	CONICAL FILTER	FILTRO CONICO REF.4008-2-1	FILTRE CONIQUE
20	315309	FILTER BODY (FOR USA AND CANADA ONLY)	CUERPO FILTRO (SOLO PARA USA Y CANADA)	CORPS FILTRE (SEULEMENT POUR USA ET CANADA)
	315317	FILTER BODY (EXCEPT FOR USA AND CANADA)	CUERPO FILTRO (EXCEPTO PARA USA Y CANADA)	CORPS FILTRE (SAUF POUR USA ET CANADA)

N°	REF.	DENOMINATION	DENOMINACIÓN	DÉNOMINATION
21	326587	WATER INLET AC DI12,5 L1,5M (EXCEPT FOR USA AND CANADA)	TUBO ENTRADA AC DI12,5 L1,5M (EXCEPTO PARA USA Y CANADA)	FLEXIBLE ENTRÉE AC DI12,5 L1,5 (SAUF POUR USA ET CANADA)
22	326579	WATER INLET AF DI12,5 L1,5M (EXCEPT FOR USA AND CANADA)	TUBO ENTRADA AF DI12,5 L1,5M (EXCEPTO PARA USA Y CANADA)	FLEXIBLE ENTRÉE AF DI12,5 L,5M (SAUF POUR USA ET CANADA)

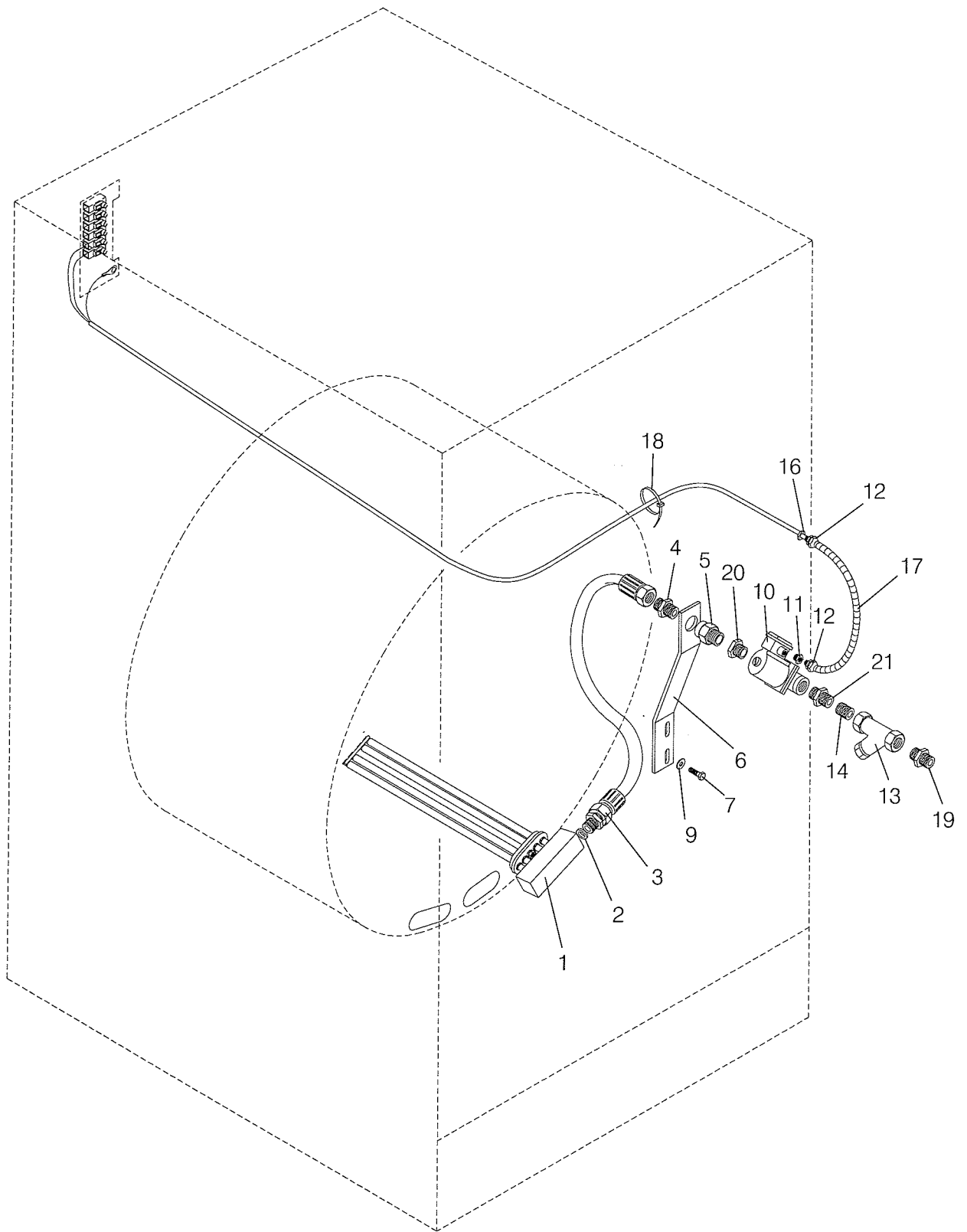
N°	REF.	DENOMINATION	DENOMINACIÓN	DÉNOMINATION
		FROM MACHINE N° 1.251.100	A PARTIR DE LA MÁQUINA N° 1.251.100	A PARTIR DE LA MACHINE N° 1.251.100
13	348482	EXTERNAL DOSING HOSE	TUBO DOSIFICACION EXTERNA	TUBE DOSAGE EXTERNE
15	348474	EXTERNAL DOSING RACCORD	RACOR DOSIFICACION EXTERNA	RACCORD DOSAGE EXTERNE



N°	REF.	DENOMINATION	DENOMINACIÓN	DÉNOMINATION
		ELECTRIC HEATING KITS	KITS CALEFACCIÓN ELÉCTRICA	KITS CHAUFFAGE ELECTRIQUE
	796540	EHK 3PH 240-415V (FOR 208-240 AND 415V)	KCE 3PH 240-415V. (PARA 208-240 Y 415V)	KCE 3PH 240-415V (POUR 208-240 ET 415V)
	796532	EHK 3PH200-208-220-230-380-400	KCE 3PH200-208-220-230-380-400	KCHE3PH200-208-220-230-380-400
	796565	EHK 1PH 240V (FOR 208-240V)	KCE 1PH 240V. (PARA 208-240V)	KCHE 1PH 240V (POUR 208-240V)
	796557	EHK 1PH 200-208-220-230V	KCE 1PH 200-208-220-230V.	KCE 1PH 200-208-220-230V
1	318758	HEATER 240V 3700W (FOR 208-240 AND 415V)	CALEFACTOR 240V 3700W (PARA 208-240 Y 415V)	RESISTANCE 240V 3700W (POUR 208-240 ET 415V)
	319756	HEATER 230V 3700W (FOR 200-208-220-230-380-400V)	CALEFACTOR 230V 3700W (PARA 200-208-220-230-380-400V)	RESISTANCE 230V 3700W (POUR 200-208-220-230-380-400V)
2	318840	IND.RELAY G7L-2A-TUB 200-240V	RELE IND.G7L-2A-TUB 200-240VAC	RELAIS IND.G7L-2A-TUB 200-240V
3	183400	CYL.PLATE SCREW ST-4 20 C/AL	TOR.CHAPA ST-4 20 C/AL.T25	VIS PLAQUE CYL.ST-4 20 C/AL
6	140525	CLAMP 2244-0	BRIDA UNEX 2244-0	BRIDE 2244-0
8	160119	FUSE HOLDER REF.FEC 031 1631	PORTAFUSIBLES REF.FEC.031.1631	PORTE-FUSIBLE REF.FEC 031 1631
9	137661	BAYONET HEAD	CABEZA BAYONETA FEK.031.1613	TETE BAYONETTE
10	319178	FUSE 16A	CART.FUS.A12FA 7022.0470 16 A	CARTOUCHE FUSIBLE 16A



N°	REF.	DENOMINATION	DENOMINACIÓN	DÉNOMINATION
		FROM MACHINE N° 1.250.469	A PARTIR DE LA MÁQUINA N° 1.250.469	A PARTIR DE LA MACHINE N° 1.250.469
2	318840	CANCELLED	ANULADO	ANNULE
11	320846	CONTACTOR 3RT10 24-1AL2	CONTACTOR 3RT10 24-1AL2	CONTACTEUR 3RT10 24-1AL2
12	240739	CONTACTOR FIXATION PROFILE	PERFIL FIJACION CONTACTORES	PROFILE FIXATION CONTACTEURS
13	328583	CONNECTION-BOARD PA220 (12UNIT)	REGLETA PA220 (12 ELEM)	REGLETTE PA220 (12 UNITS)
14	146183	BICR CYL SCREW DIN 84 M-4X25	TOR.CIL.DIN84-4.8 B.TRI.M 4X25	VIS CYL BICR DIN 84 M-4X25
15	132043	SELFBLOCKING NUT DIN985 M 4	TUER.AUTOBL.DIN985-8 B.TRI.M 4	ECROU AUTOBLOCANT DIN985 M 4



N°	REF.	DENOMINATION	DENOMINACIÓN	DÉNOMINATION
		STEAM HEATING KITS	KITS CALEFACCIÓN VAPOR	KITS CHAUFFAGE VAPEUR
	796060	STEAM HEATING KIT 60HZ (FOR USA AND CANADA ONLY)	KIT CAL.VAPOR 60HZ (SOLO PARA USA Y CANADA)	KIT CHAUFFAGE VAPEUR 60HZ (SEULEMENT POUR USA ET CANADA)
	796052	STEAM KIT FOR 60HZ (EXCEPT FOR USA AND CANADA)	KIT CAL.VAPOR 60HZ. (EXCEPTO PARA USA Y CANADA)	KIT VAPEUR POUR 60HZ (SAUF POUR USA ET CANADA)
	796045	STEAM KIT FOR 50HZ	KIT CAL.VAPOR 50HZ.	KIT VAPEUR POUR 50HZ
1	320762	STEAM DISTRIBUTOR	DISTRIBUIDOR VAPOR	DISTRIBUTEUR VAPEUR
2	109777	COPPER GASKET 1/2"	12504 JUNTA COBRE 1/2"	JOINT CUIVRE 1,2"
3	162305	STEAM INLET JOINTING	UNION ENTRADA VAPOR	UNION ENTREE VAPEUR
4	262840	JOINTING SCREW	TORNILLO UNION	VIS UNION
5	183525	MALE-FEMALE SLEEVE 1/2"	MANGUITO MACHO-HEMBRA 1/2" LATON	FRETTE MALE-FEMELLE 1/2"
6	261792	STEAM INLET BRACKET	SOPORTE ENTRADA VAPOR	SUPPORT ENTREE VAPEUR
7	146233	BICR.HEX SCREW DIN933-8 M6X15	TOR.EX.DIN933-8.8 B.TRI.M 6X15	VIS HEX DIN933-8.8 BICR.M6X15
9	149526	BICR.WASHER B DIN125-ST 6,4	ARAN.B DIN125-ST B.TRI. 6,4	RONDELLE B DIN125-ST BICR.6,4
10	318030	VALVE BODY EVSIS 15 032U3095 (FOR 60HZ) (COIL NOT INCLUDED)	CUERPO VAL.EVSIS 15 032U3095 (PARA 60 HZ) (NO INCLUYE BOBINA)	CORPS VANNE EVSIS 15 032U3095 (POUR 60 HZ) (NON COMPRIS BOBINE)
	405415	COIL 240V 60HZ (FOR 60HZ)	BOBINA 240V.60HZ. (PARA 60 HZ)	BOBINE 240V 60HZ (POUR 60 HZ)
	318063	SPARE KIT EVSIS 15 032U3172	KIT REPUES.EVSIS 15 032U3172	KIT RECHANGE EVSIS 15 032U3172
	319558	ELECTROVALVE 032U3005/84 1/2" (FOR 50HZ) (COIL INCLUDED)	ELECT.032U3005/84 1/2" 220/50 (PARA 50 HZ) (INCLUYE BOBINA)	ELECTROVANNE 032U3005/84 1/2" (POUR 50 HZ) (COMPRIS BOBINE)
	159806	COIL 32K7771 220/50 (FOR 50HZ)	BOBINA DANFOSS 32K7771 220/50 (PARA 50 HZ)	BOBINE 32K7771 220/50 (POUR 50 HZ)
	318063	SPARE KIT EVSIS 15 032U3172	KIT REPUES.EVSIS 15 032U3172	KIT RECHANGE EVSIS 15 032U3172
11	140319	REDUCER PG 13'5-9	REDUCTOR 130904 PG 13'5-9	REDUCTEUR PG 13'5-9
12	140152	RACCORD PG- 9	RACOR PG- 9 REF.330904	RACCORD PG- 9
13	133728	THREADED FILTER 1/2" O'3 PN16	FILTRO COLAD. ROSC.1/2"0'3PN16	FILTRE FILETE 1/2" 0,3 PN16
14	129999	FIG 531 1/2" GALV (FOR 50HZ)	FIGURA 531 DE 1/2" GALV. (PARA 50 HZ)	FIG 531 1/2" GALV (POUR 50 HZ)
16	140228	COUNTERNUT PG-9	TUERCA PG 280904 PG- 9	CONTREECROU PG-9

H2030 407890D 12B

N°	REF.	DENOMINATION	DENOMINACIÓN	DÉNOMINATION
17	140707	HOSE HELIPLAST NO 9 REF.77009 (1 METER)	TUBO HELIPLAST NO. 9 REF.77009 (1 METRO)	TUBE HELIPLAST NO 9 REF.77009 (1 METRE)
18	140525	CLAMP 2244-0	BRIDA UNEX 2244-0	BRIDE 2244-0
19	251355	STEAM INLET SLEEVE (FOR USA AND CANADA ONLY)	MANGUITO ENTRADA VAPOR (SOLO PARA USA Y CANADA)	MANCHON ENTREE VAPEUR (SEULEMENT POUR USA ET CANADA)

N°	REF.	DENOMINATION	DENOMINACIÓN	DÉNOMINATION
		FROM MACHINE N° 1.250.438	A PARTIR DE LA MÁQUINA N° 1.250.438	A PARTIR DE LA MACHINE N° 1.250.438
10	319558	ELECTROVALVE 032U3005/84 1/2" (FOR 50HZ) (COIL INCLUDED)	ELECT.032U3005/84 1/2" 220/50 (PARA 50 HZ) (INCLUYE BOBINA)	ELECTROVANNE 032U3005/84 1/2" (POUR 50 HZ) (COMPRIS BOBINE)
	159806	COIL 32K7771 220/50 (FOR 50HZ)	BOBINA DANFOSS 32K7771 220/50 (PARA 50 HZ)	BOBINE 32K7771 220/50 (POUR 50 HZ)
	318063	SPARE KIT EVSIS 15 032U3172	KIT REPUES.EVSIS 15 032U3172	KIT RECHANGE EVSIS 15 032U3172
	343798	VALVE BODY EVSIS15NPT 032U3692 (FOR 60HZ) (COIL NOT INCLUDED)	CUERPO VAL.EVSIS15NPT 032U3692 (PARA 60 HZ) (NO INCLUYE BOBINA)	CORPS VANN.EVSIS15NPT 032U3692 (POUR 60 HZ) (NON COMPRIS BOBINE)
	405415	COIL 240V 60HZ (FOR 60HZ)	BOBINA 240V.60HZ. (PARA 60 HZ)	BOBINE 240V 60HZ (POUR 60 HZ)
20	431809	MALE-FEMALE SLEEVE (FOR 60HZ)	MANGUITO MACHO-HEMBRA (PARA 60 HZ)	MANCHON MALE-FEMELLE (POUR 60 HZ)
21	431825	DOUBLE MALE SLEEVE 1/2" (FOR 60HZ)	MANGUITO DOBLE MACHO 1/2" (PARA 60 HZ)	MANCHON DOUBLE MALE 1/2" (POUR 60 HZ)